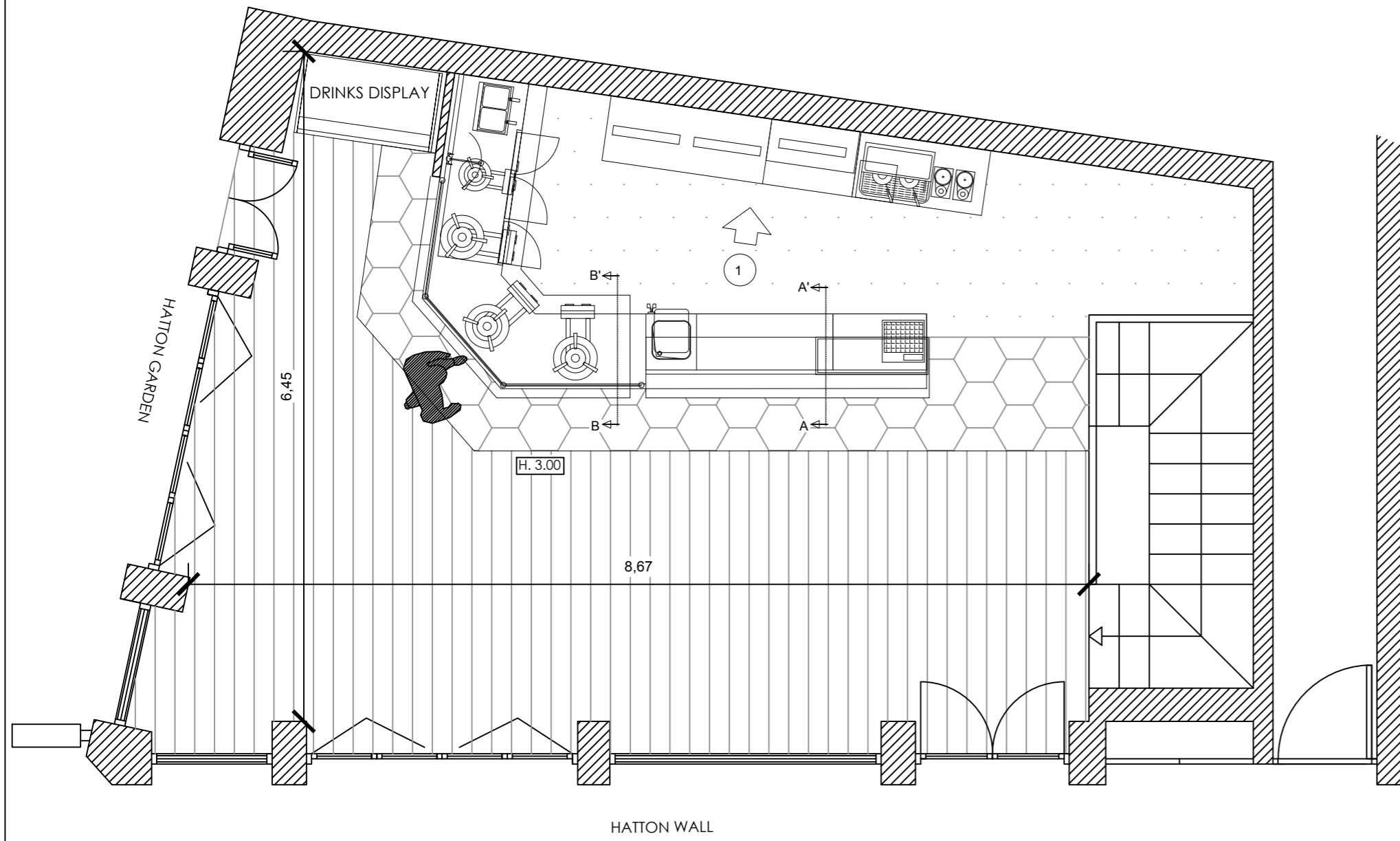
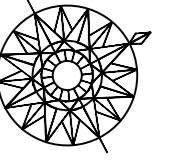


NOTE
DO NOT SCALE FROM THIS DRAWING
THIS IS A CONCEPT DRAWING AND
FORMS THE CONCEPT BRIEF TO THE
PROJECT ARCHITECT
INFORMATION CONTAINED WITHIN
THIS DRAWING IS THE SOLE
COPYRIGHT OF
VARO CONSULTING AND IS NOT TO BE
REPRODUCED WITHOUT PERMISSION
VARO CONSULTING IS TO BE NOTIFIED
IMMEDIATELY OF ANY DISCREPANCIES

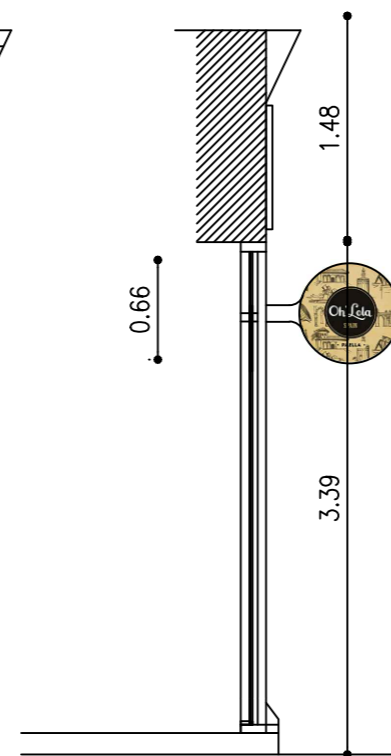


GROUND FLOOR



FACADE HATTON GARDEN

Timber shop front will remain - Color will be changed to Balck
New timber fascia signs in both facades



FACADE HATTON WALL



154 -160 Fleet St, ECA, 2DQ London 1-44 (0) 207 357 381 INFO@VAROCONSULTING.COM WWW.VAROCONSULTING.COM

Project	Oh! Lola Restaurant 58 Hatton Garden		
Drawing	Proposed Plan		
Date	04.04.2016	Drawing by	EC
Status	SCALE & A2	Checked by	EC
Drawing No.	02	Scale	1:50
		REV	B