



2. REAR LOUNGE

1. KITCHEN

15
14
13
12
11
10
9
8
7
6
5
4
3
2
1

PROPOSED REAR ELEVATION

Revision	Date	Amendments	Drawers Initials.
A	11/04/16	Cottage Bars added	SF

CONTRACT No.: 30104678 **date:** 25/01/2016

PROPOSED: WINDOW REPLACEMENT

AT:
(INSTALLATION ADDRESS) FLAT 5
14 ELLERDALE ROAD
LONDON
NW3 6BB

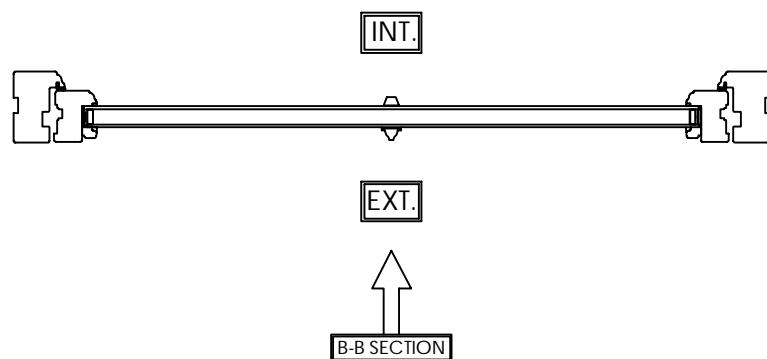
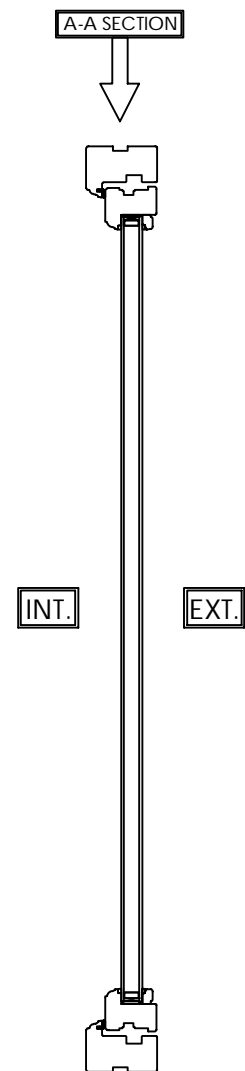
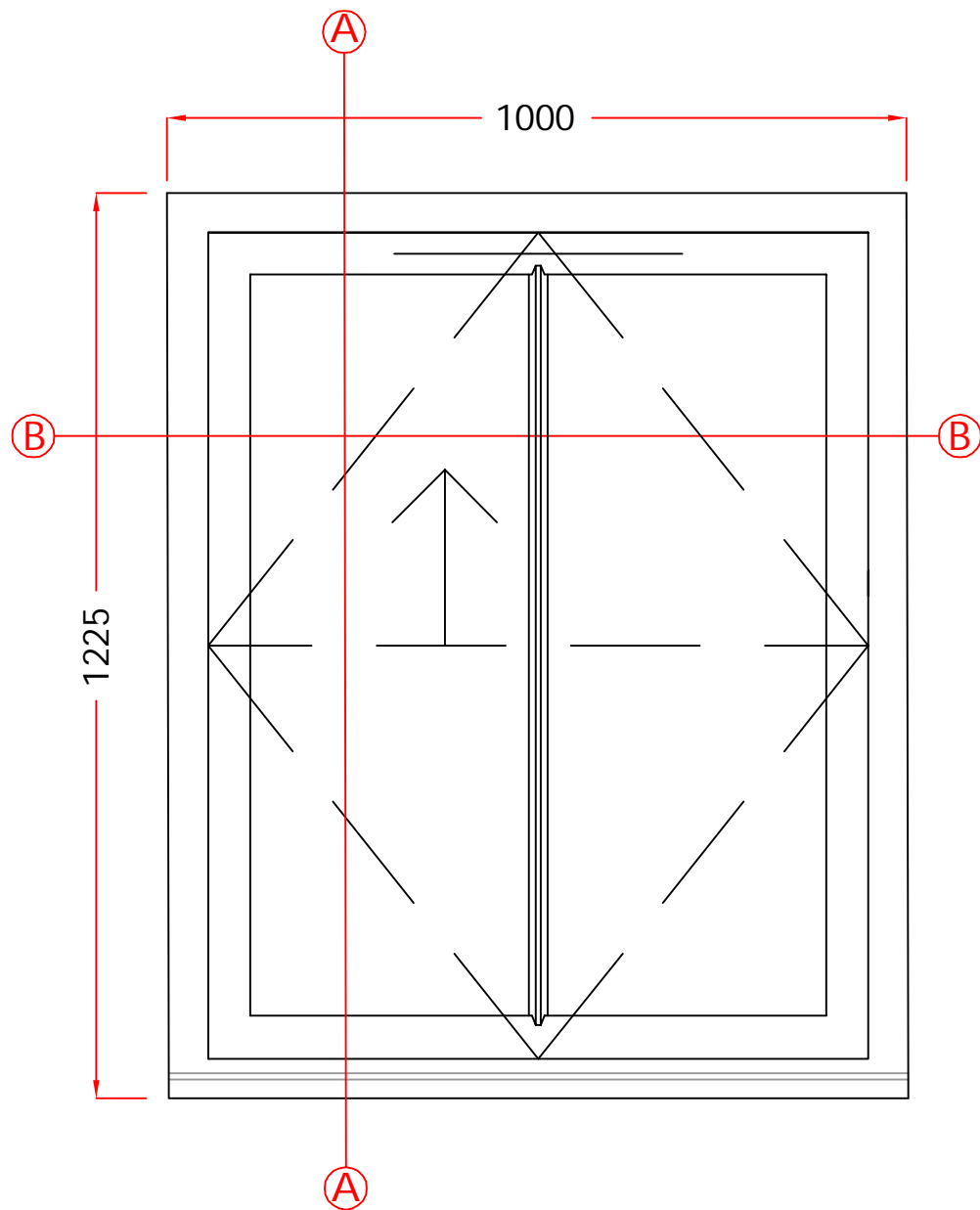
FOR:..... MRS L BEE

Scale Bar 1:100 (metres)

Scale - 1:50
(Produced on A3 Paper)

Drawers Initials.
SF





1. KITCHEN
 MATERIAL - TIMBER
 INTERNAL & EXTERNAL COLOUR - WHITE
 GLAZING - 24MM SEALED UNITS

Scale - 1:10
 (Produced on A3 Paper)
 Sheet 1 Of 2

Drawers Initials.
SF

Revision	Date	Amendments	Drawers Initials.
A	11/04/16	Cottage Bars added	SF

CONTRACT No.: 30104678

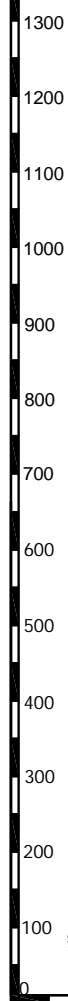
date: 25/01/2016

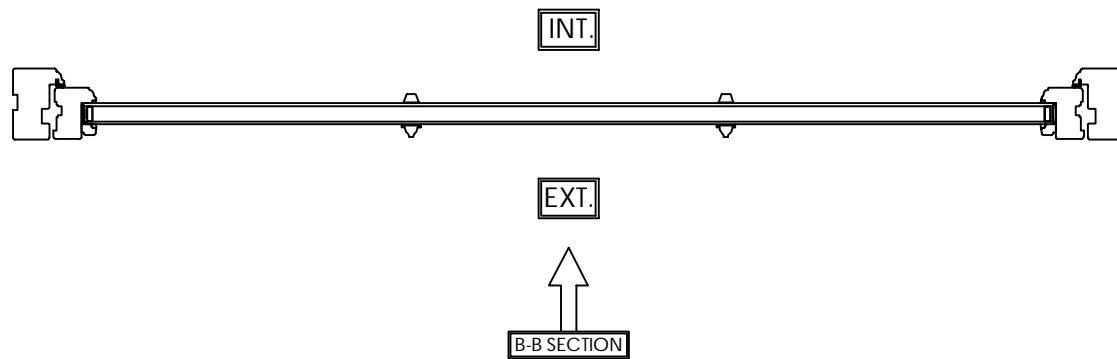
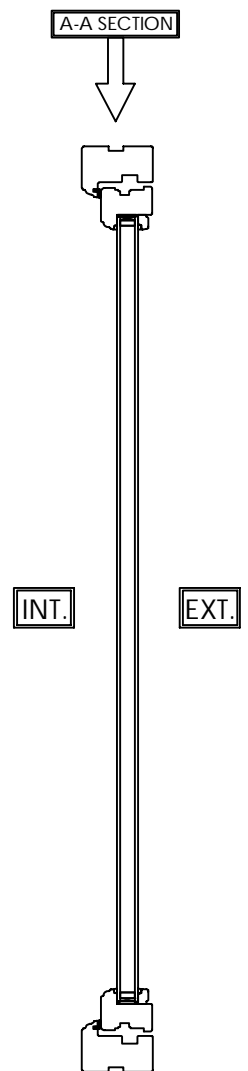
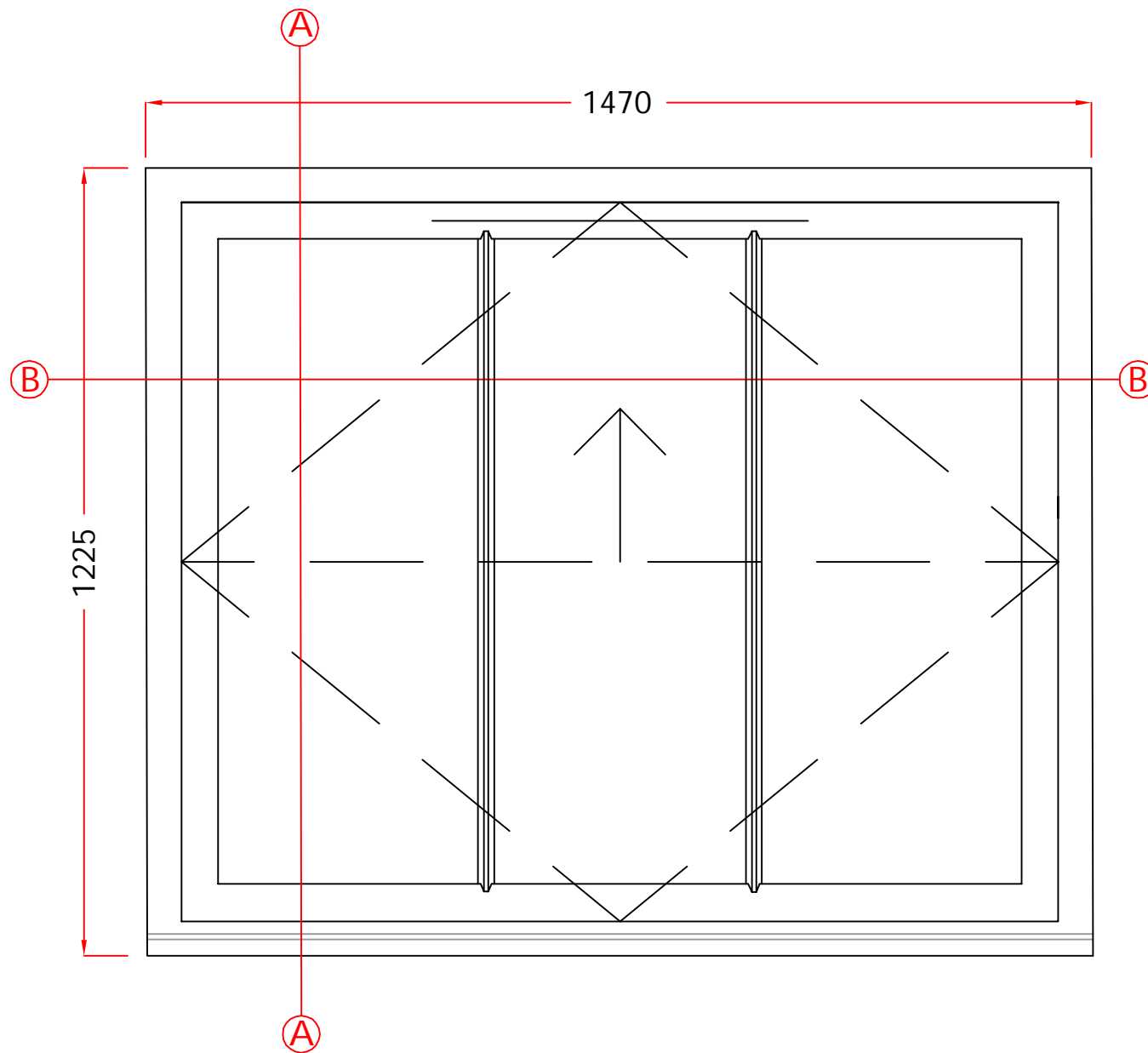
PROPOSED: WINDOW REPLACEMENT

AT:
 (INSTALLATION ADDRESS) FLAT 5
 14 ELLERDALE ROAD
 LONDON
 NW3 6BB

FOR:..... MRS L BEE

VIEWED EXTERNALLY





2. REAR LOUNGE

MATERIAL - TIMBER
 INTERNAL & EXTERNAL COLOUR - WHITE
 GLAZING - 24MM SEALED UNITS

1300
1200
1100
1000
900
800
700
600
500
400
300
200
100
0

Scale - 1:10
 (Produced on A3 Paper)
 Sheet 2 Of 2

Drawers Initials.
SF

Revision	Date	Amendments	Drawers Initials.
A	11/04/16	Cottage Bars added	SF

CONTRACT No.: 30104678

date: 25/01/2016

PROPOSED: WINDOW REPLACEMENT

AT:
 (INSTALLATION ADDRESS) FLAT 5
 14 ELLERDALE ROAD
 LONDON
 NW3 6BB

FOR:..... MRS L BEE

VIEWED EXTERNALLY

Scale Bar 1:10(mm)
 0 100 200 300 400 500 600 700 800 900 1000 1100 1200 1300

