

6260mm

Frame, lace  
and braced,  
T&G doors

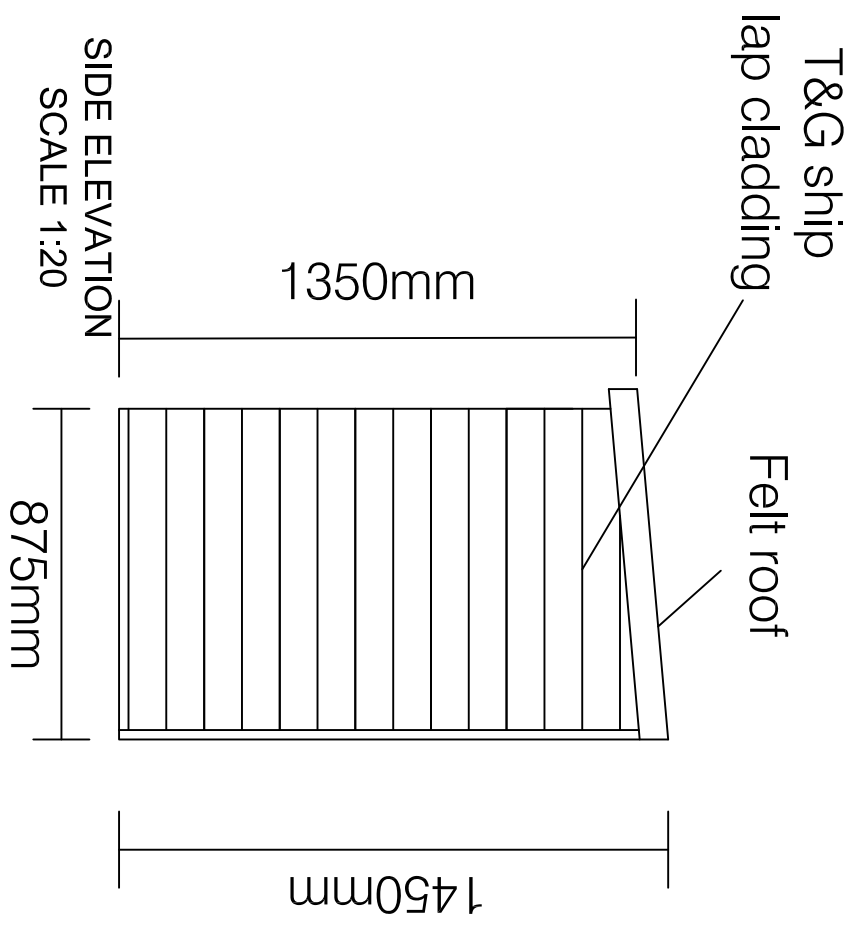
75mm

FRONT ELEVATION  
SCALE 1:20

Bolts fitted to  
doors

1450mm

650mm  
1300mm



Drawing Type:  
DESIGN

Client:  
DAN COEN

Project: 65 COMPAYNE GARDENS, WEST  
HAMPSTEAD, LONDON, NW6 3DB

Drawing Title  
**BIN HUT - FRONT AND SIDE ELEVATIONS**

Scale 1 : 20 AT A3 Date 11/01/2016

Job 2013/085 Drawn MS Checked ER

Drawing Number 13-085-BIN HUT Revision 00



Falgate Mews (off Studland St)  
Hammersmith, London,  
W6 0LY  
Tel: 020 8840 4776  
Email: info@finneganassociates.com