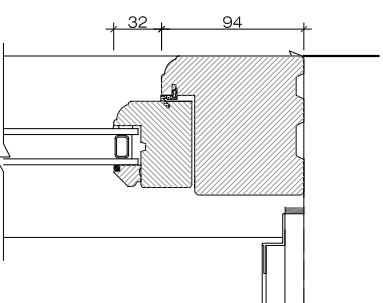
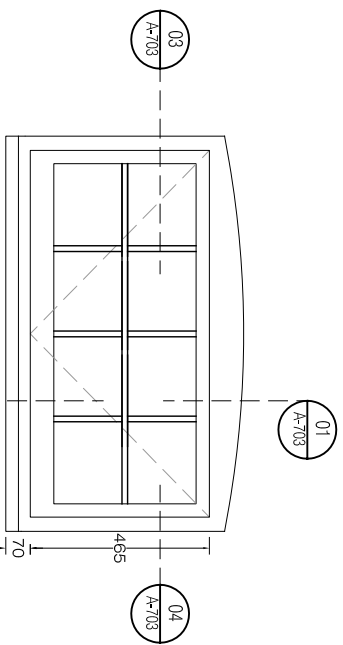


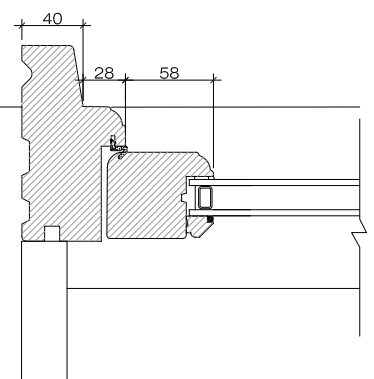
Plan W-02/03 - Master bedroom
scale: 1:20



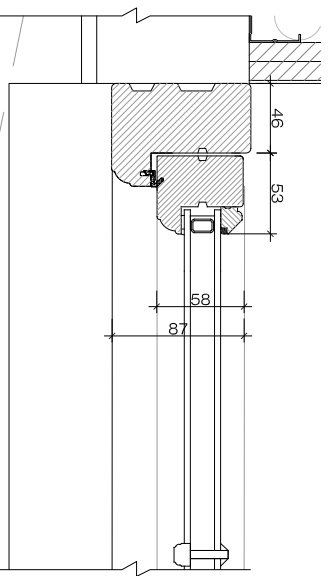
01 Detailed section
scale: 1:5



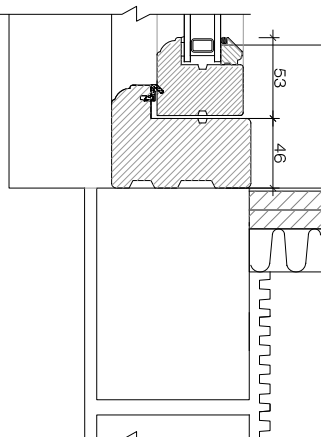
Elevation W-02/03 - Master Bedroom
scale: 1:20



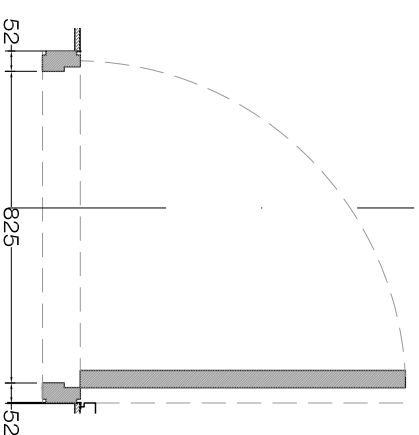
02 Detailed section
scale: 1:5



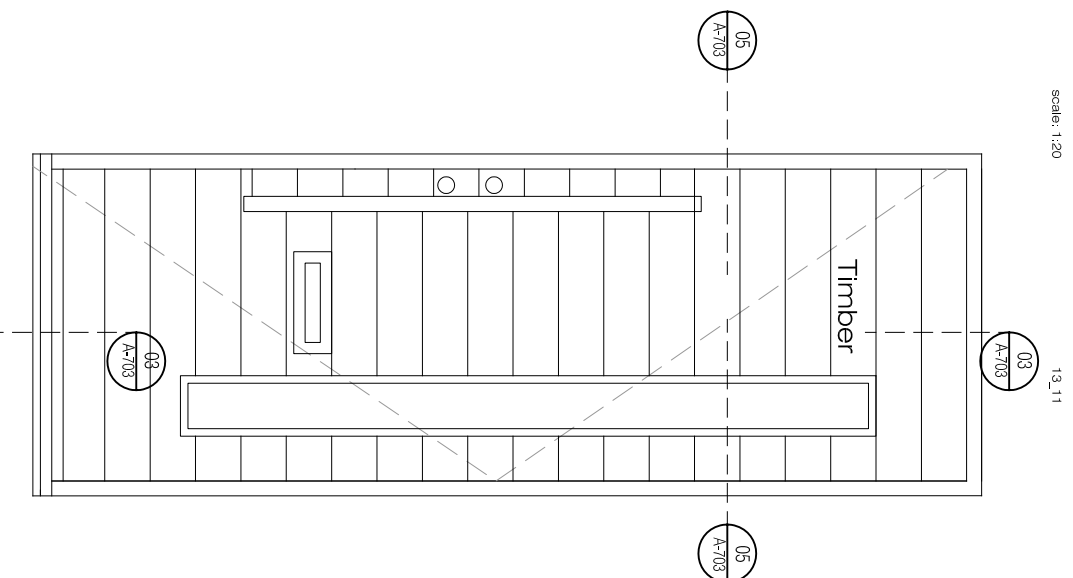
03 Detailed plan
scale: 1:5



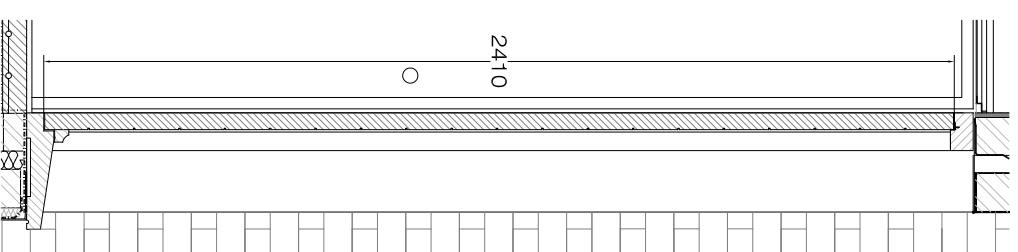
04 Detailed plan
scale: 1:5



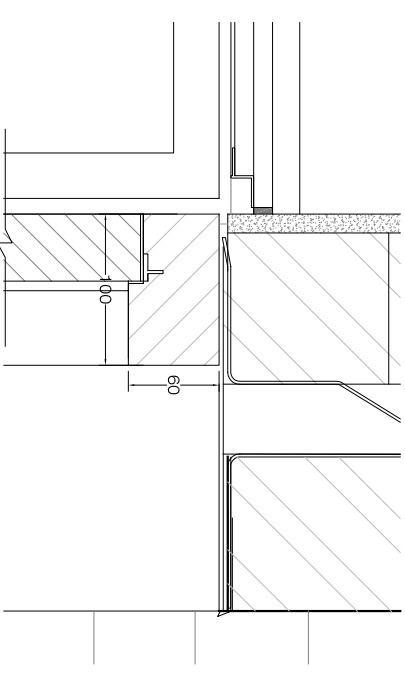
Plan ED-02 - Front Door
scale: 1:20



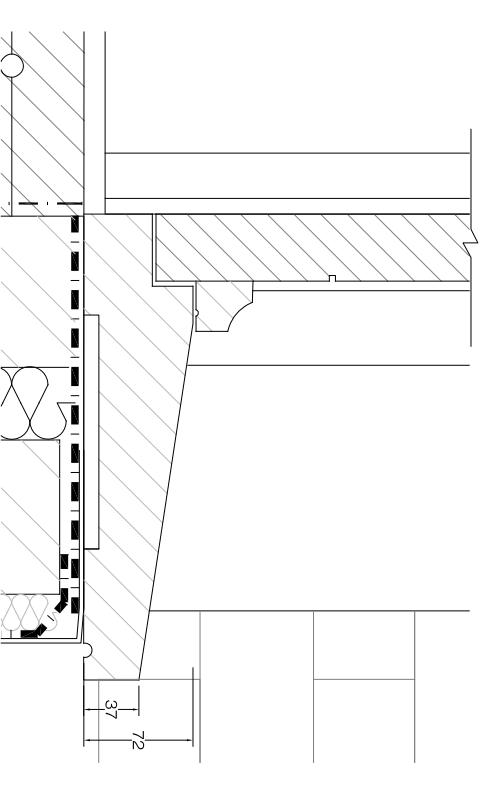
Elevation ED-02 - Front Door
scale: 1:20



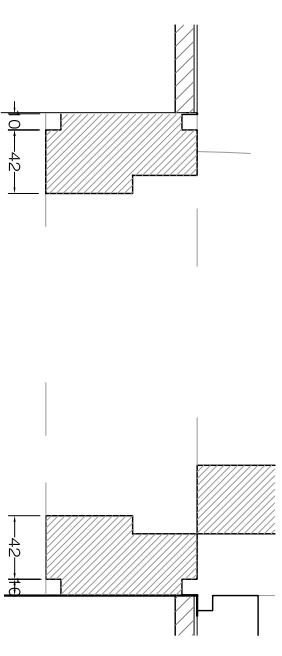
Section ED-02 - Front Door
scale: 1:20



10 Section ED-02
scale: 1:20



11 Section ED-02
scale: 1:20



12 Section ED-02
scale: 1:20

13 Section ED-02
scale: 1:20

- PLEASE NOTE:**
- All dimensions to be checked on site before fabrication.
 - With works to refer to engineer's drawings before proceeding
 - All drawings and designs are covered by design right (intellectual property), and may not be distributed, copied or issue without written permission of the architect.
 - All design concepts are the sole property of the architect and no adaptations, reproductions or copies may be made without written permission of the architect.

- These drawings are subject to any variation required or approved by the relevant statutory authority, or for the better carrying out of the works.
- Samples to be provided by contractor for the architect approval.
- All finishes to architect satisfaction.
- All drawings to be approved by the architect before construction.

ADDITIONAL NOTES:

Rev	Revised for	Date	By	Revised/Revised for	Date	By	Revised

Client	Architect
PRIVATE CLIENT	SCHNEIDER DESIGNERS 15 BARN GROVE, LONDON NW3 5PT 020 7461 1111 www.schneiderdesigners.co.uk

Project	Status
14 ELDON GROVE NW3 5PT THE	For Planning

Drawing No	Scale	Drawn	Checked	Date	Revision
A-703	1:20	AL	CV	11-Apr-16	00
Project No	13_11				Revision