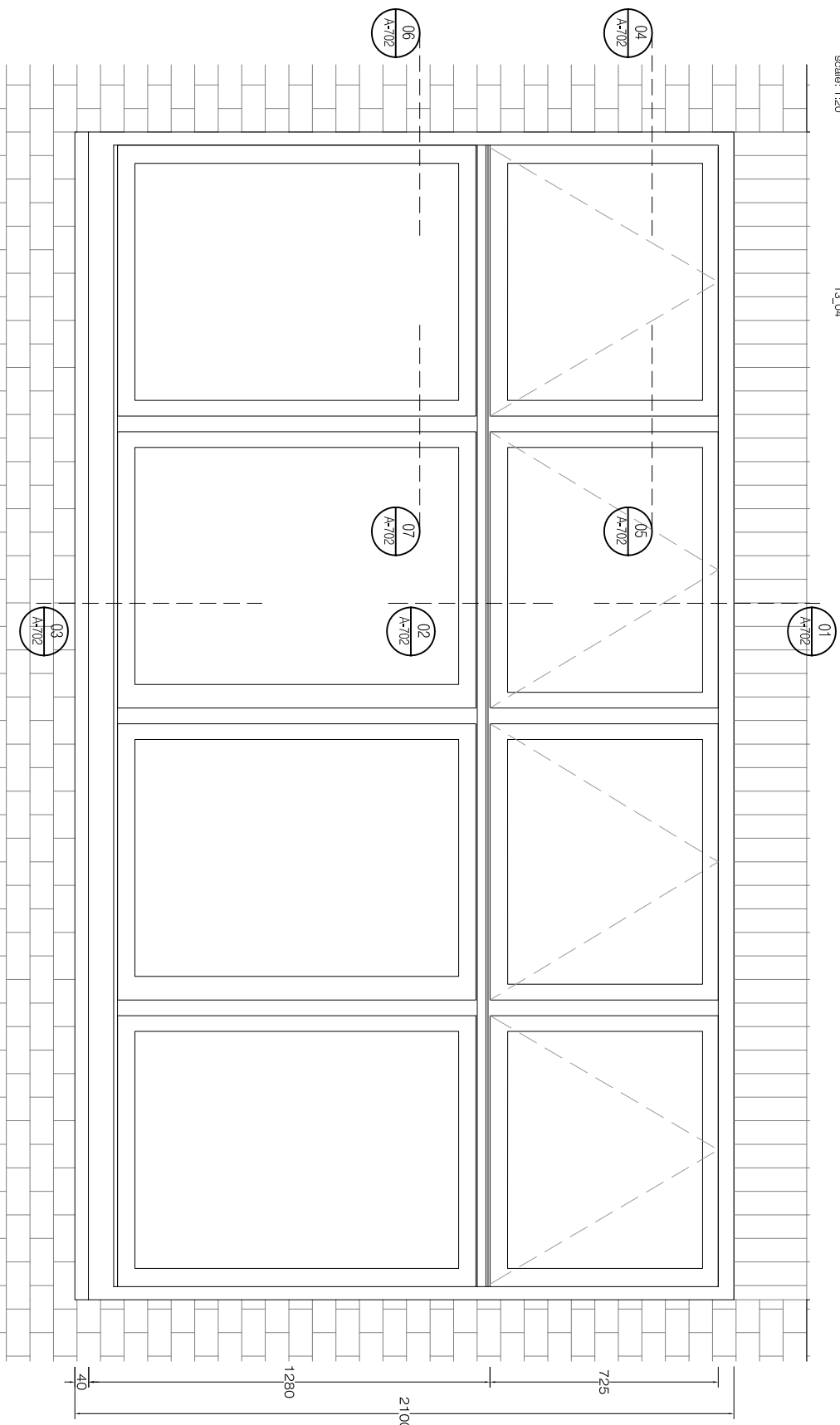


Plan W-01 - Lounge

scale: 1:20

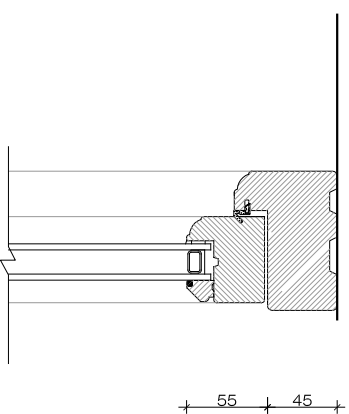
13\_04



Elevation W-01 - Lounge

scale: 1:20

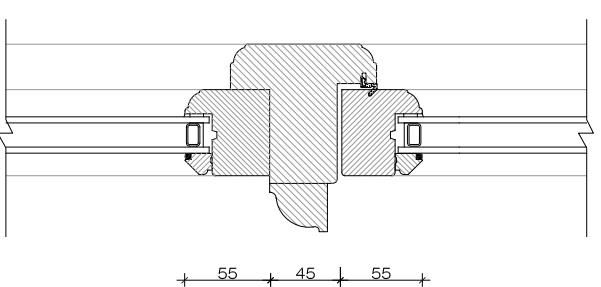
13\_04



01 Detailed section

scale: 1:5

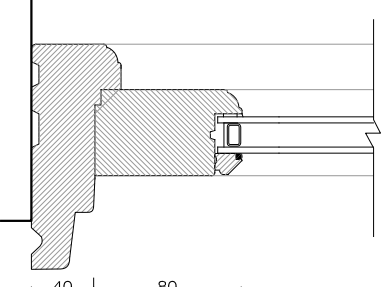
13\_04



02 Detailed section

scale: 1:5

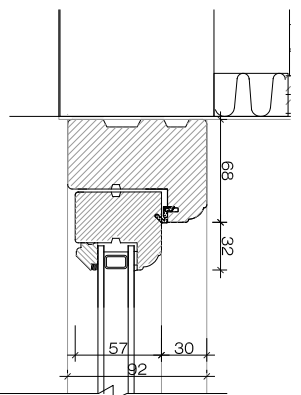
13\_04



03 Detailed section

scale: 1:5

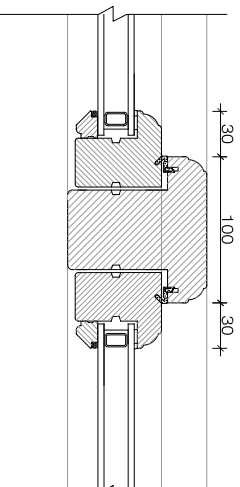
13\_04



04 Detailed plan (casement)

scale: 1:5

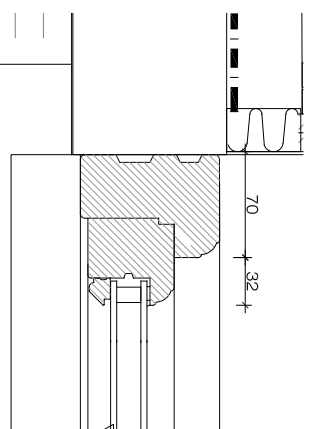
13\_04



05 Detailed plan (casement)

scale: 1:5

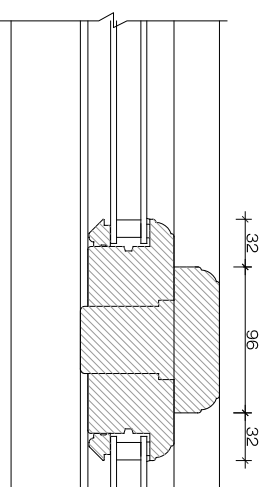
13\_04



06 Detailed plan (fixed)

scale: 1:5

13\_04



07 Detailed plan (fixed)

scale: 1:5

13\_04

- PLEASE NOTE:**
- All dimensions to be checked on site before fabrication.
  - With works to refer to engineers drawings before proceeding
  - All drawings and designs are covered by design right (intellectual property), and may not be distributed, copied or issue without written permission of the architect.
  - All design concepts are the sole property of the architect and no adaptations, reproductions or copies may be made without written permission of the architect.
  - These drawings are subject to any variation required or approved in writing by the statutory authority, or for the better carrying out of the works.
  - Samples to be provided by contractor for the architect approval.
  - All finishes to architect satisfaction.
  - All drawings to be approved by the architect before construction.

**ADDITIONAL NOTES:**

Rev	Revised for	Date	By	Revised	Revised for	Date	By	Revised

Rev	Revised for	Date	By	Revised	Revised for	Date	By	Revised

Client	PRIVATE CLIENT	Project	14 ELDON GROVE NW3 5PT
Architect	SCHNEIDER DESIGNERS 15 Barbican, London, NW1 3JG 020 7460 1400 www.schneiderdesigners.com	Drawn	AL
		Checked	CV
		Date	11-Apr-16
		Revision	00
		Scale	1:20 @ A3
		Project No	A-702
			13_11