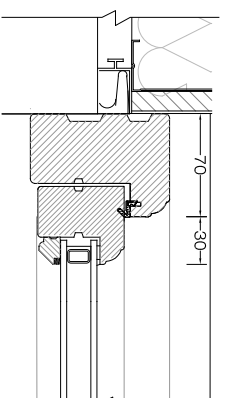


Plan W-04 - study

scale: 1:20

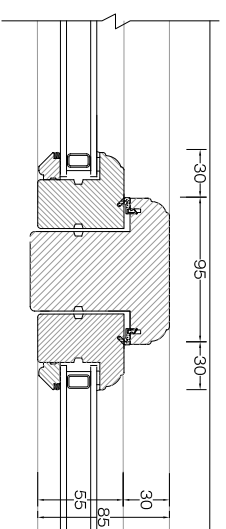
13_11



01 Plan Detail

scale: 1:5

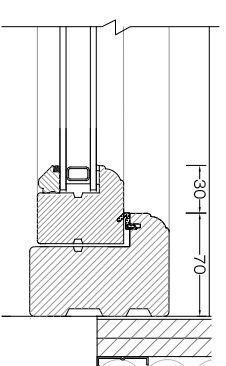
13_11



02 Plan Detail

scale: 1:5

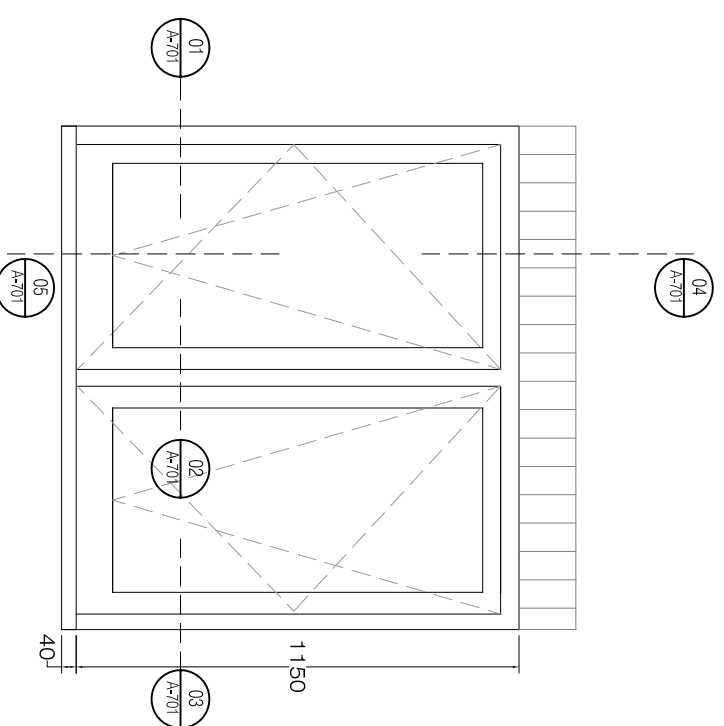
13_11



03 Plan Detail

scale: 1:5

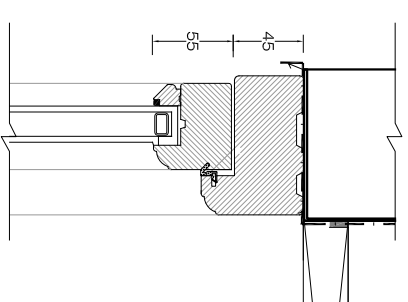
13_11



Elevation W-04 - study

scale: 1:20

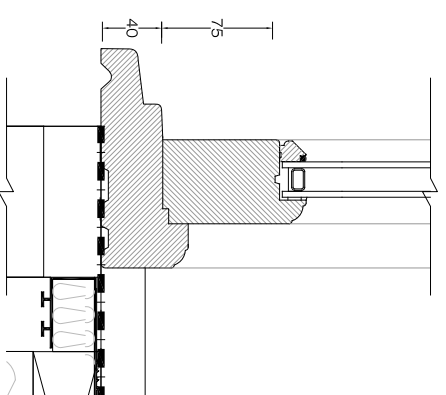
13_11



04 Detail Section A-A

scale: 1:5

13_11



05 Detail Section A-A

scale: 1:5

13_11

PLEASE NOTE:

- All dimensions to be checked on site before fabrication.
- All drawings to refer to engineer's drawings before proceeding with works.
- All drawings and designs are covered by design right (intellectual property), and may not be distributed, copied or issued without written permission of the architect.
- All design concepts are the sole property of the architect and no adaptations, reproductions or copies may be made without written permission of the architect.

- These drawings are subject to any variation required or approved by the architect.
- Statutory authority, or for the better carrying out of the works.
- Samples to be provided by contractor for the architect approval.
- All finishes to architect satisfaction.
- All drawings to be approved by the architect before construction.

ADDITIONAL NOTES:

Rev	Revised for	Date	By	Revised	Revised for	Date	By	Revised

Client PRIVATE CLIENT	Architect SCHNEIDER DESIGNERS 15 Barbican Grove, London NW3 5PT 020 7461 4100 www.schneiderdesigners.co.uk	Project 14 ELDON GROVE NW3 5PT THIS Window Detail Study W- 04	Status For Planning