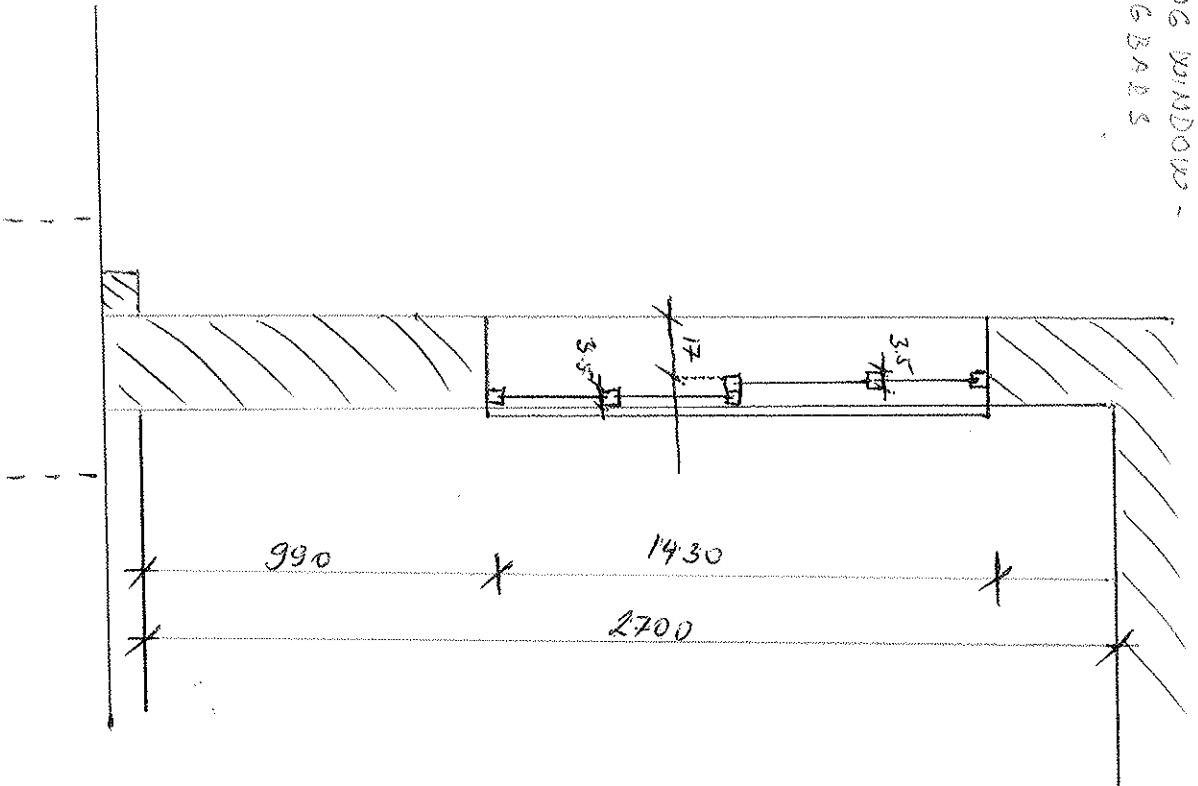


6. REV

a) SECTION - EXISTING WINDOW -  
- GLAZING BARS



b) SECTION - PROPOSED SINGLE GLAZED DOOR -  
- GLAZING BARS

