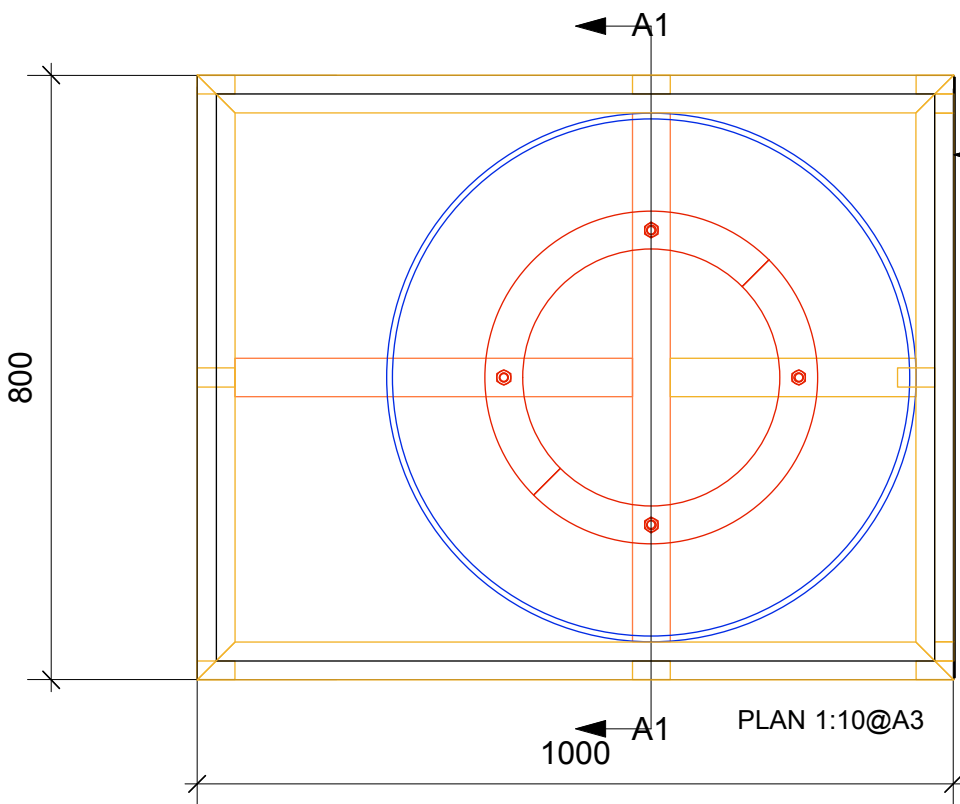


ELEVATION SECTION A1 1:10@A3



Weights	
item description	weight in kilograms
PETG Jar + Sculpture	45kg
Metal plinth	54kg
Concrete weights incremental at 20kg units	280kg max
Total max weight	379kg

Material specification		
material description	area + use	reaction to fire classification
PETG	jar shell	B - s1, d0
FRP - Class 1 polyester resin 600gsm SCM reinforcement.	Jar Lid + Label	class 1
Mild steel RHS and plate	plinth + clamping plate	noncombustible
Concrete	plinth weights	noncombustible
Powder coating	plinth decorative surface coating	LUL Engineering standard

Date: 29 Mar, 2016

File name: BFG Trail plinth J3 Material spec + weights V2.vwx