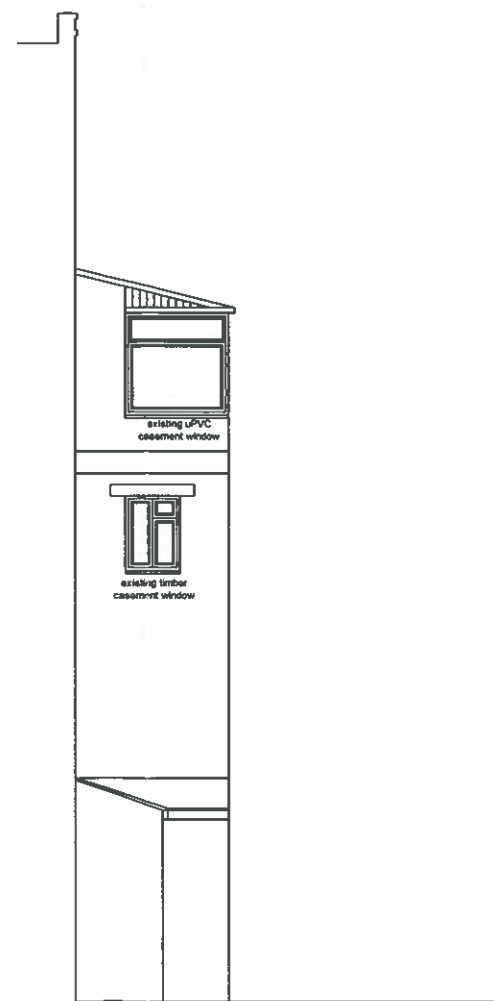
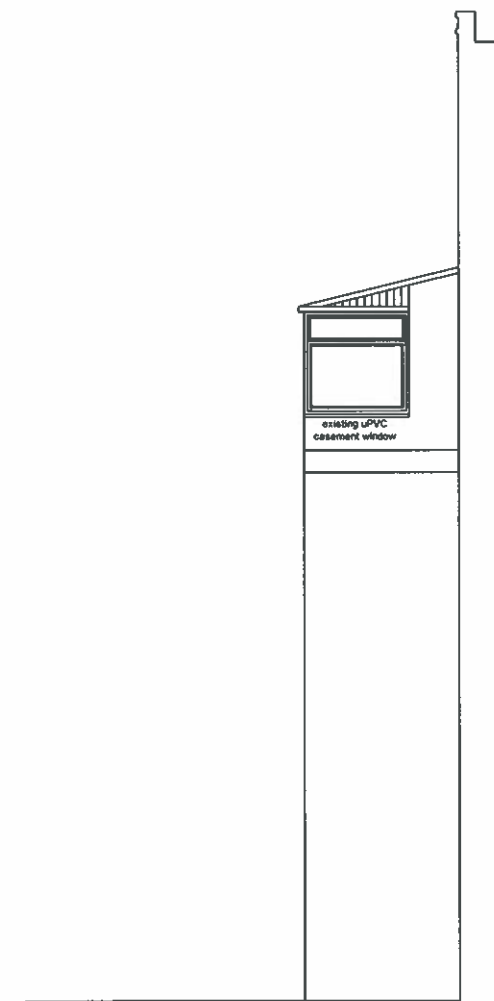


REAR ELEVATION

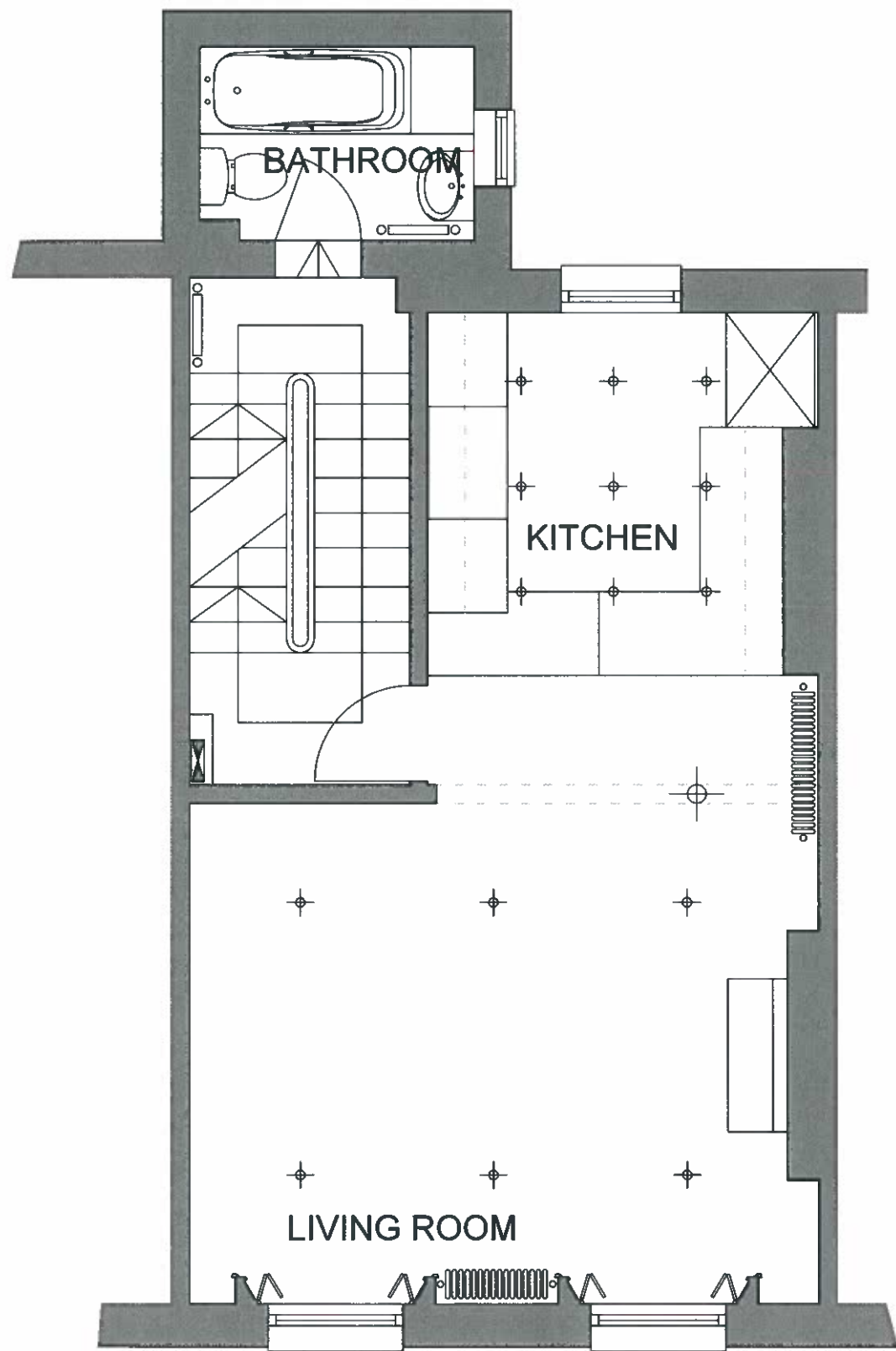


SIDE ELEVATION

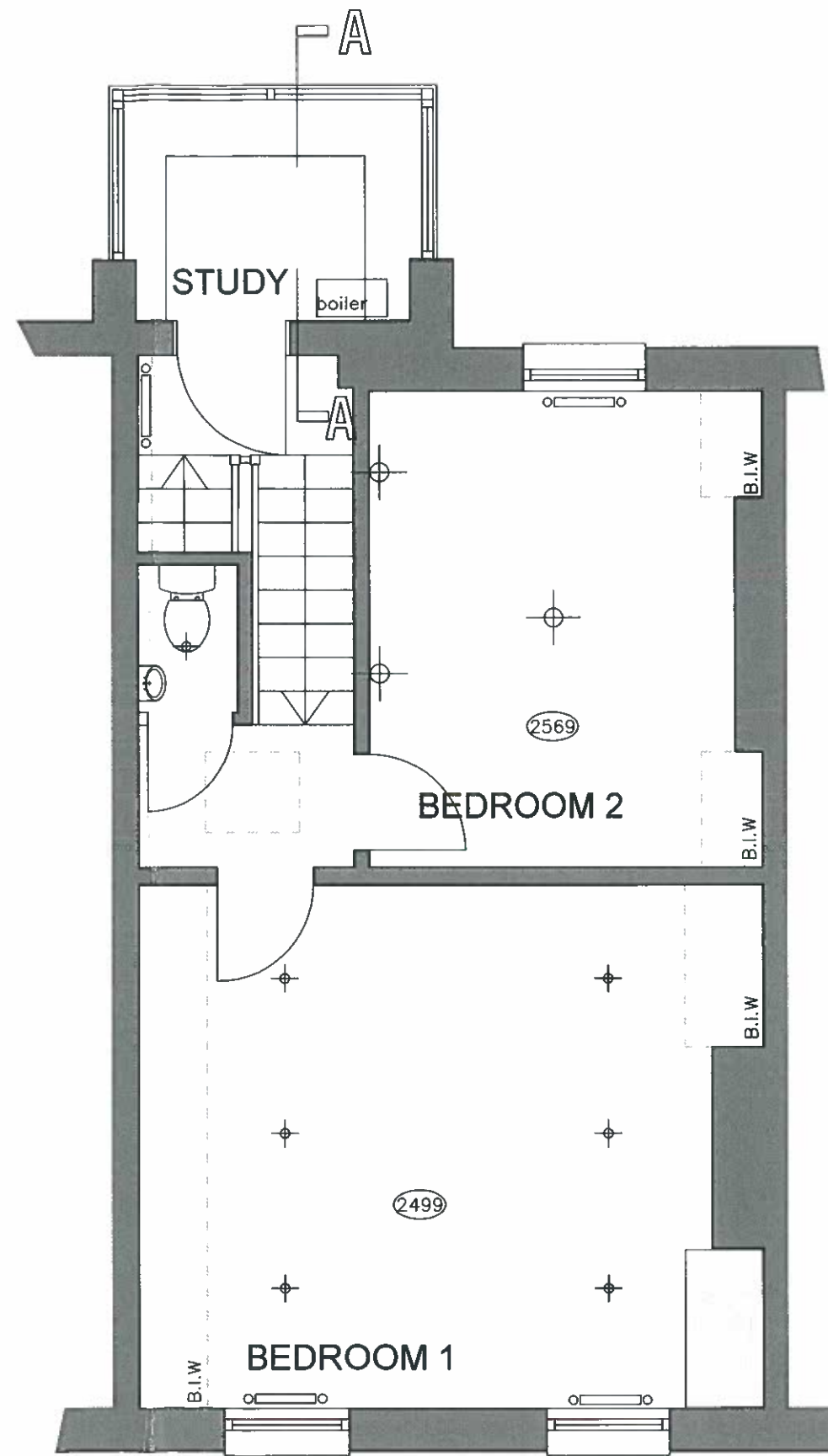


SIDE ELEVATION

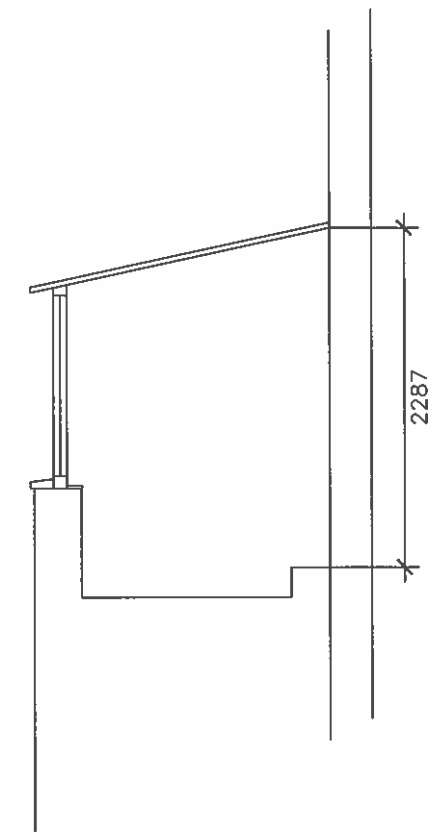
ELEVATIONS AS EXISTING



FIRST FLOOR LAYOUT



SECOND FLOOR LAYOUT



SECTION A - A