

96241359 LO 1200 LED HF E3 OP RD WHI L840

LED 12W LED_1200	EN 60598-2-22		IP65		EAC		IK07		CE	960°C	T_a 0 +25
------------------	---------------	--	------	--	-----	--	------	--	----	-------	-------------

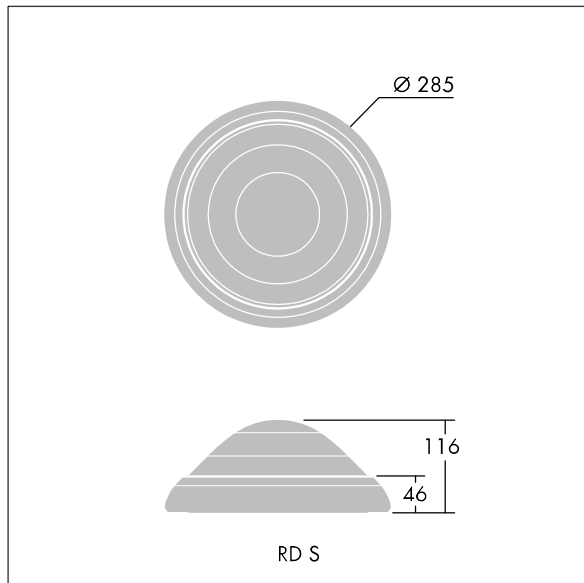
Loire

A decorative, round bulkhead luminaire with 1200lm LED package. Electronic, fixed output control gear with 3 hour, manual test, emergency lighting circuit. Base: die-cast Aluminium. Diffuser: opal Polycarbonate (PC). Bezel: white Polycarbonate (PC). Class I electrical, IP65. Supplied with Quick Fix Bracket. Mains connection via 6 x 2 x 2.5mm² terminal block. Complete with 4000K LED.

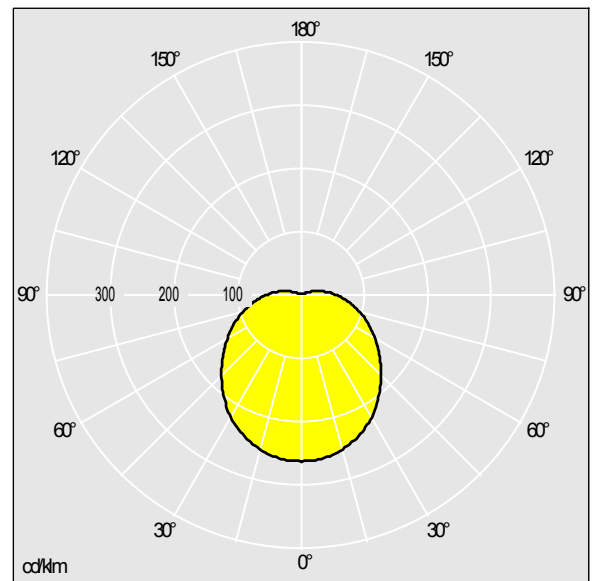
Dimensions: Ø285 x 116 mm
 Total power: 15.5 W
 Weight: 1.82 kg



TLG_LOIR_F_VWH.jpg



TLG_LOIR_M_LD2.wmf



TLG_SP_0040436.ltd

Lamp position: STD - standard
 Light Source: LED
 Luminaire luminous flux*: 1200 lm
 Total emergency luminous flux: 140 lm
 Luminaire efficacy*: 77 lm/W
 Lamp efficacy: 77 lm/W

Ballast: 1x HF_CL
 Luminaire input power*: 15.5 W Lambda = 0.95
 Charging power: 2 W
 Dimming: Fixed output
 Maintenance category: E - Dust-proof IP5X
 LOR: 1,00 ULOR: 0,11 DLOR: 0,90

All values marked with an * are rated values. Thorn uses tried and tested components from leading suppliers, however there may be isolated instances of technology-related failures of individual LEDs during the rated product lifetime. International standards set the tolerance in initial flux and connected load at ±10%. Colour temperature is subject to a tolerance of up to +/-150 Kelvin from the nominal value. Unless stated otherwise, the values apply to an ambient temperature of 25°C.

In most products the failure of one LED point causes no functional impairment to the lighting performance of the luminaire and is therefore no reason for complaint.

Thorn Lighting is constantly developing and improving its products. The right is reserved to change specifications without prior notification or public announcement.