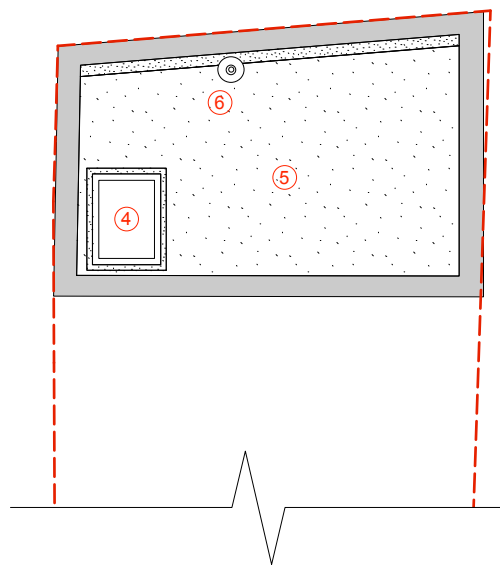
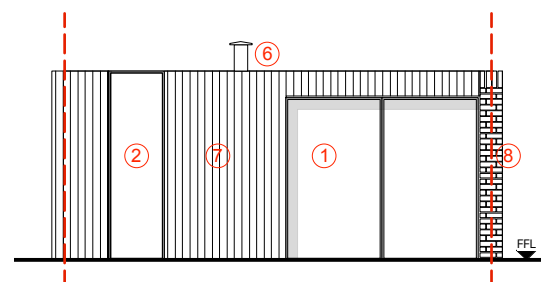


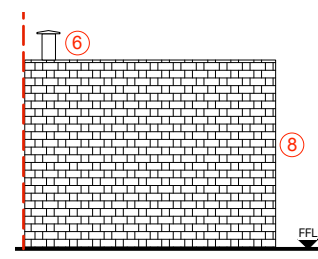
01 GA\_Ground Floor Plan  
Scale: 1:100



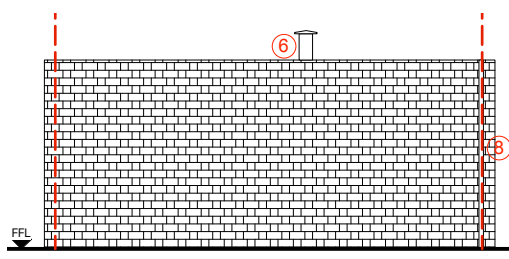
02 GA\_Roof Plan  
Scale: 1:100



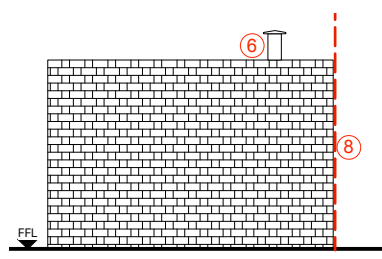
03 Front Elevation  
Scale: 1:100



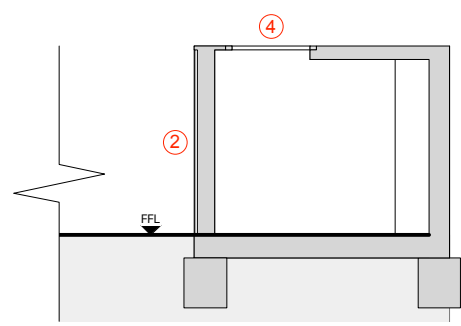
04 Side Elevation 01  
Scale: 1:100



05 Rear Elevation  
Scale: 1:100



06 Side Elevation 02  
Scale: 1:100



07 Section BB  
Scale: 1:100

Notes

- 1. Glazed Sliding door
- 2. Full height window
- 3. Wood burning stove
- 4. Fixed rooflight
- 5. Green Roof
- 6. Flue to wood burning stove
- 7. Front elevation clad in Timber
- 8. Exposed brick wall

Project  
044\_Loveridge Road

Client  
XXXX

Drawing Title  
Garden Studio\_  
Floor & Roof Plan  
Full Elevations & Section

Scale                      Date Created  
1:100 @ A3                      09.03.16

Drawing Number  
TRS040\_P\_GA\_05



T R Studio  
The Interchange  
Stables Market  
London  
NW1 8AB

+44 7868 736169  
office@trstudio.co.uk  
www.trstudio.co.uk

