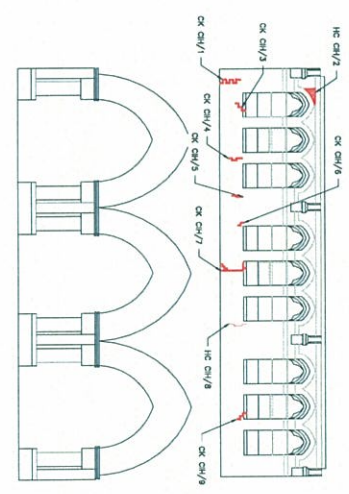


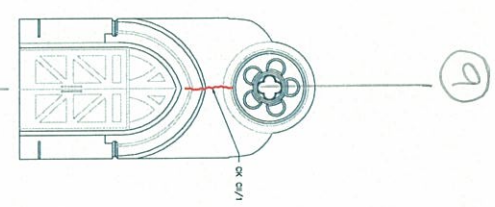
- NOTES:**
1. All structural engineering drawings shall be in metric in accordance with the Australian Standard AS 1100.
 2. The drawing and related documents represent structural engineering/structures for additional information on structural/structural details.
 3. The structural drawings are drawn to the scale of 1:50. The scale of the drawings shall be indicated on the drawings. The scale shall be 50mm = 1m.
 4. All dimensions are in millimetres and levels in metres.

LEGEND:

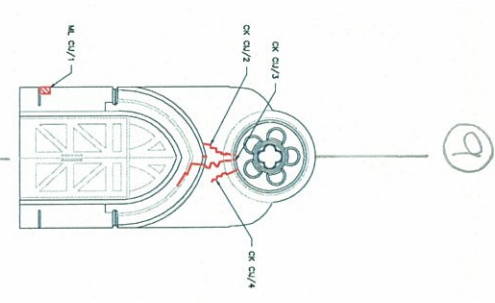
- 10 - 10mm thick concrete slab
- 100 - 100mm thick concrete slab
- 200 - 200mm thick concrete slab
- 300 - 300mm thick concrete slab
- 400 - 400mm thick concrete slab
- 500 - 500mm thick concrete slab
- 600 - 600mm thick concrete slab
- 700 - 700mm thick concrete slab
- 800 - 800mm thick concrete slab
- 900 - 900mm thick concrete slab
- 1000 - 1000mm thick concrete slab
- 1100 - 1100mm thick concrete slab
- 1200 - 1200mm thick concrete slab
- 1300 - 1300mm thick concrete slab
- 1400 - 1400mm thick concrete slab
- 1500 - 1500mm thick concrete slab
- 1600 - 1600mm thick concrete slab
- 1700 - 1700mm thick concrete slab
- 1800 - 1800mm thick concrete slab
- 1900 - 1900mm thick concrete slab
- 2000 - 2000mm thick concrete slab
- 2100 - 2100mm thick concrete slab
- 2200 - 2200mm thick concrete slab
- 2300 - 2300mm thick concrete slab
- 2400 - 2400mm thick concrete slab
- 2500 - 2500mm thick concrete slab
- 2600 - 2600mm thick concrete slab
- 2700 - 2700mm thick concrete slab
- 2800 - 2800mm thick concrete slab
- 2900 - 2900mm thick concrete slab
- 3000 - 3000mm thick concrete slab
- 3100 - 3100mm thick concrete slab
- 3200 - 3200mm thick concrete slab
- 3300 - 3300mm thick concrete slab
- 3400 - 3400mm thick concrete slab
- 3500 - 3500mm thick concrete slab
- 3600 - 3600mm thick concrete slab
- 3700 - 3700mm thick concrete slab
- 3800 - 3800mm thick concrete slab
- 3900 - 3900mm thick concrete slab
- 4000 - 4000mm thick concrete slab
- 4100 - 4100mm thick concrete slab
- 4200 - 4200mm thick concrete slab
- 4300 - 4300mm thick concrete slab
- 4400 - 4400mm thick concrete slab
- 4500 - 4500mm thick concrete slab
- 4600 - 4600mm thick concrete slab
- 4700 - 4700mm thick concrete slab
- 4800 - 4800mm thick concrete slab
- 4900 - 4900mm thick concrete slab
- 5000 - 5000mm thick concrete slab
- 5100 - 5100mm thick concrete slab
- 5200 - 5200mm thick concrete slab
- 5300 - 5300mm thick concrete slab
- 5400 - 5400mm thick concrete slab
- 5500 - 5500mm thick concrete slab
- 5600 - 5600mm thick concrete slab
- 5700 - 5700mm thick concrete slab
- 5800 - 5800mm thick concrete slab
- 5900 - 5900mm thick concrete slab
- 6000 - 6000mm thick concrete slab
- 6100 - 6100mm thick concrete slab
- 6200 - 6200mm thick concrete slab
- 6300 - 6300mm thick concrete slab
- 6400 - 6400mm thick concrete slab
- 6500 - 6500mm thick concrete slab
- 6600 - 6600mm thick concrete slab
- 6700 - 6700mm thick concrete slab
- 6800 - 6800mm thick concrete slab
- 6900 - 6900mm thick concrete slab
- 7000 - 7000mm thick concrete slab
- 7100 - 7100mm thick concrete slab
- 7200 - 7200mm thick concrete slab
- 7300 - 7300mm thick concrete slab
- 7400 - 7400mm thick concrete slab
- 7500 - 7500mm thick concrete slab
- 7600 - 7600mm thick concrete slab
- 7700 - 7700mm thick concrete slab
- 7800 - 7800mm thick concrete slab
- 7900 - 7900mm thick concrete slab
- 8000 - 8000mm thick concrete slab
- 8100 - 8100mm thick concrete slab
- 8200 - 8200mm thick concrete slab
- 8300 - 8300mm thick concrete slab
- 8400 - 8400mm thick concrete slab
- 8500 - 8500mm thick concrete slab
- 8600 - 8600mm thick concrete slab
- 8700 - 8700mm thick concrete slab
- 8800 - 8800mm thick concrete slab
- 8900 - 8900mm thick concrete slab
- 9000 - 9000mm thick concrete slab
- 9100 - 9100mm thick concrete slab
- 9200 - 9200mm thick concrete slab
- 9300 - 9300mm thick concrete slab
- 9400 - 9400mm thick concrete slab
- 9500 - 9500mm thick concrete slab
- 9600 - 9600mm thick concrete slab
- 9700 - 9700mm thick concrete slab
- 9800 - 9800mm thick concrete slab
- 9900 - 9900mm thick concrete slab
- 10000 - 10000mm thick concrete slab



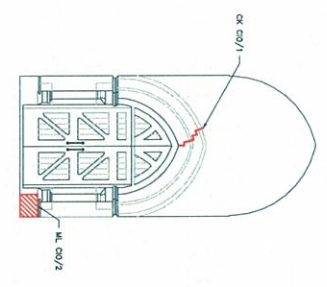
ELEVATION H
Scale 1:50



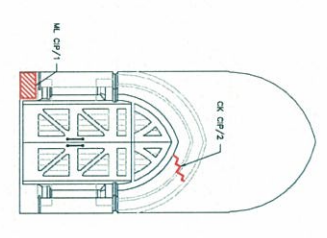
ELEVATION J
Scale 1:50



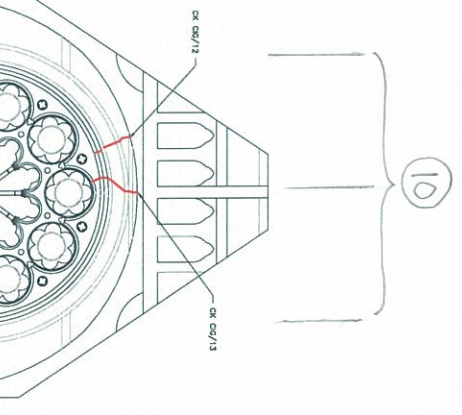
ELEVATION J
Scale 1:50



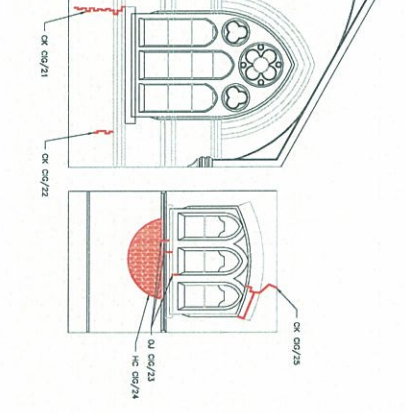
ELEVATION O
Scale 1:50



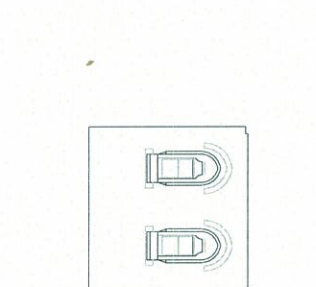
ELEVATION P
Scale 1:50



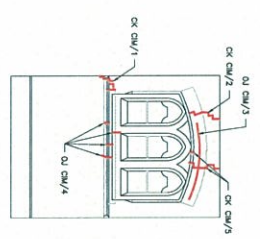
ELEVATION G
Scale 1:50



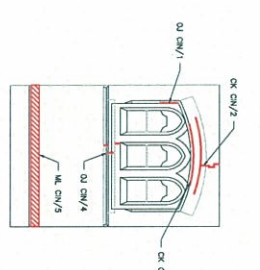
ELEVATION G
Scale 1:50



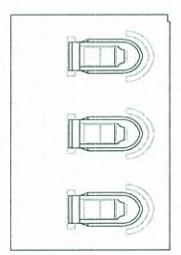
ELEVATION G
Scale 1:50



ELEVATION M
Scale 1:50



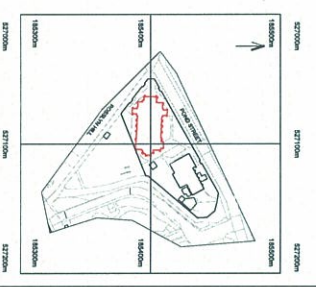
ELEVATION N
Scale 1:50



ELEVATION K
Scale 1:50



ELEVATION L
Scale 1:50



REPORT

SENECALER JOHNSTON
Consulting Civil & Structural Engineers

53 Great South Bay, Suite 101
Sydney, NSW 1500
T: 02 9333 1850
F: 02 9333 1850
www.senecalerjohnston.com.au

ST. STEPHEN'S CHURCH
ROSSLYN HILL, NW3
CHURCH INTERNAL
ELEVATIONS G to P

Drawn: M. Farnell
Project No./Drawing No.: 8529/1204
Scale: 1:50 at A0