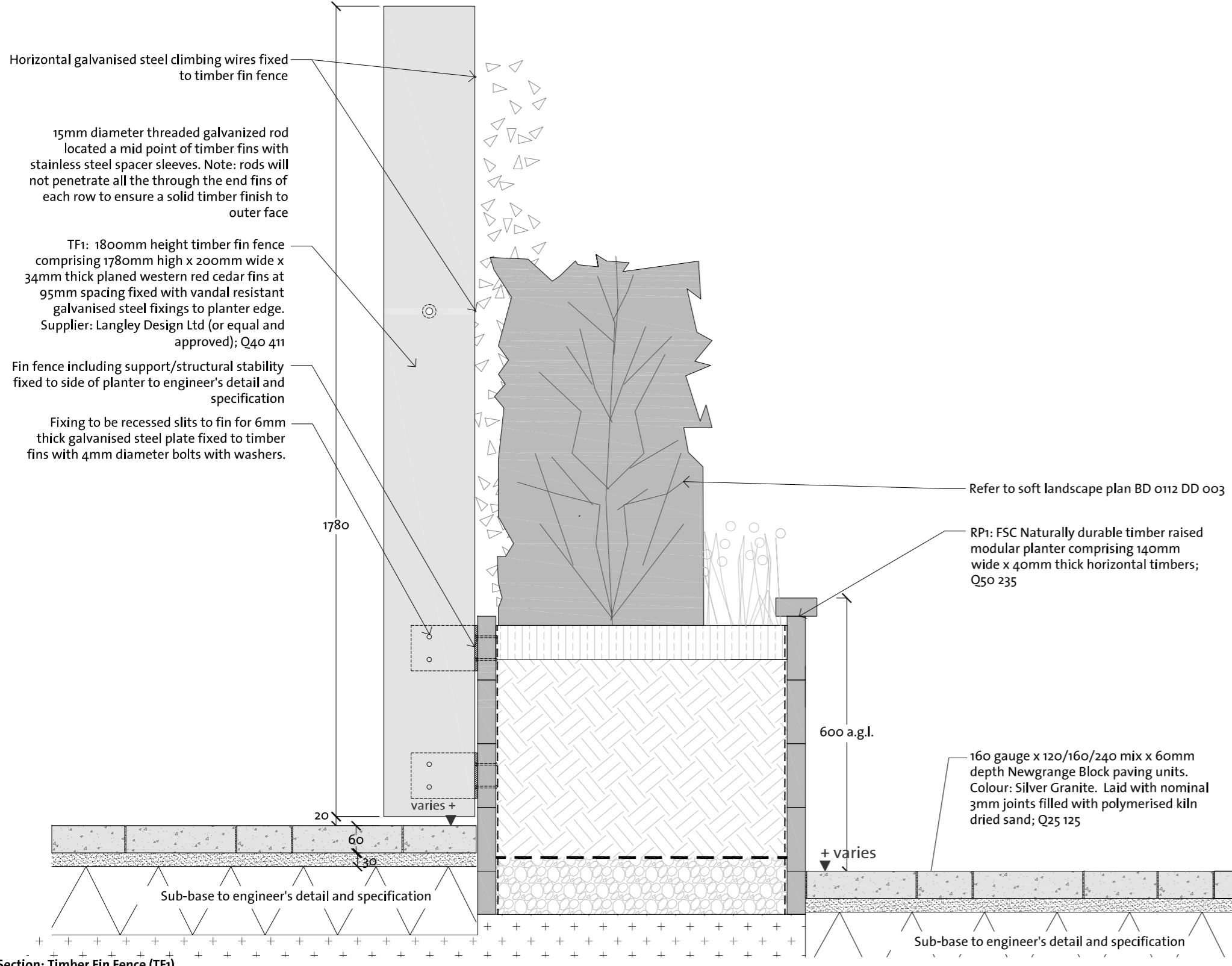
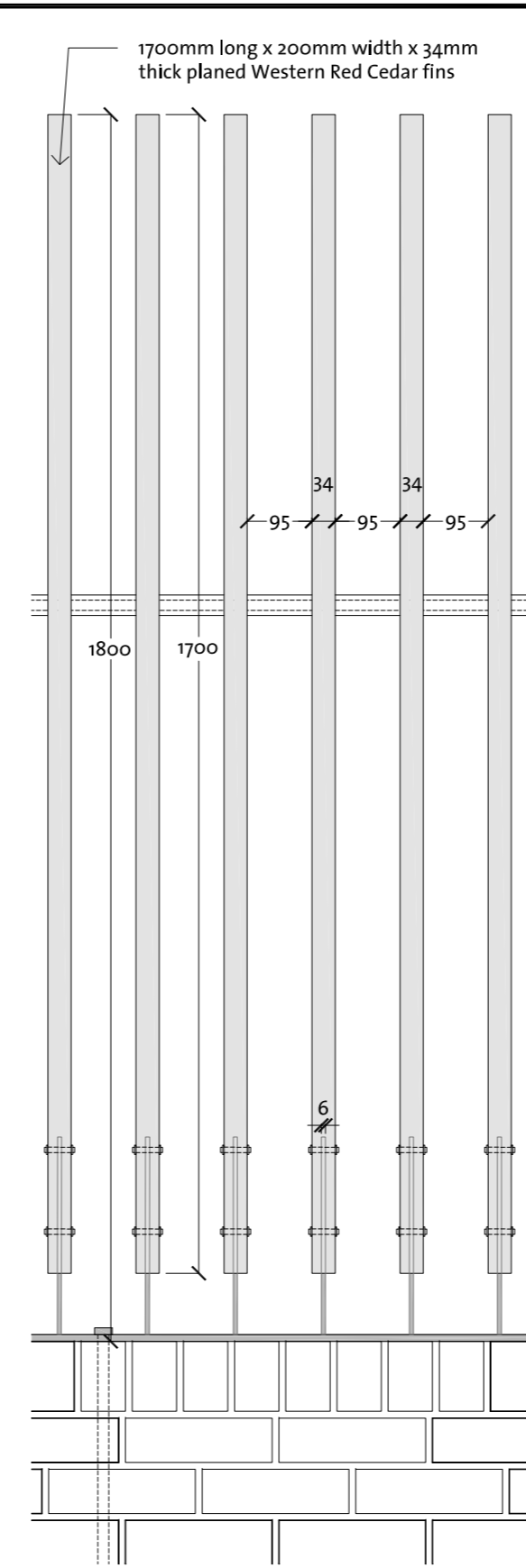


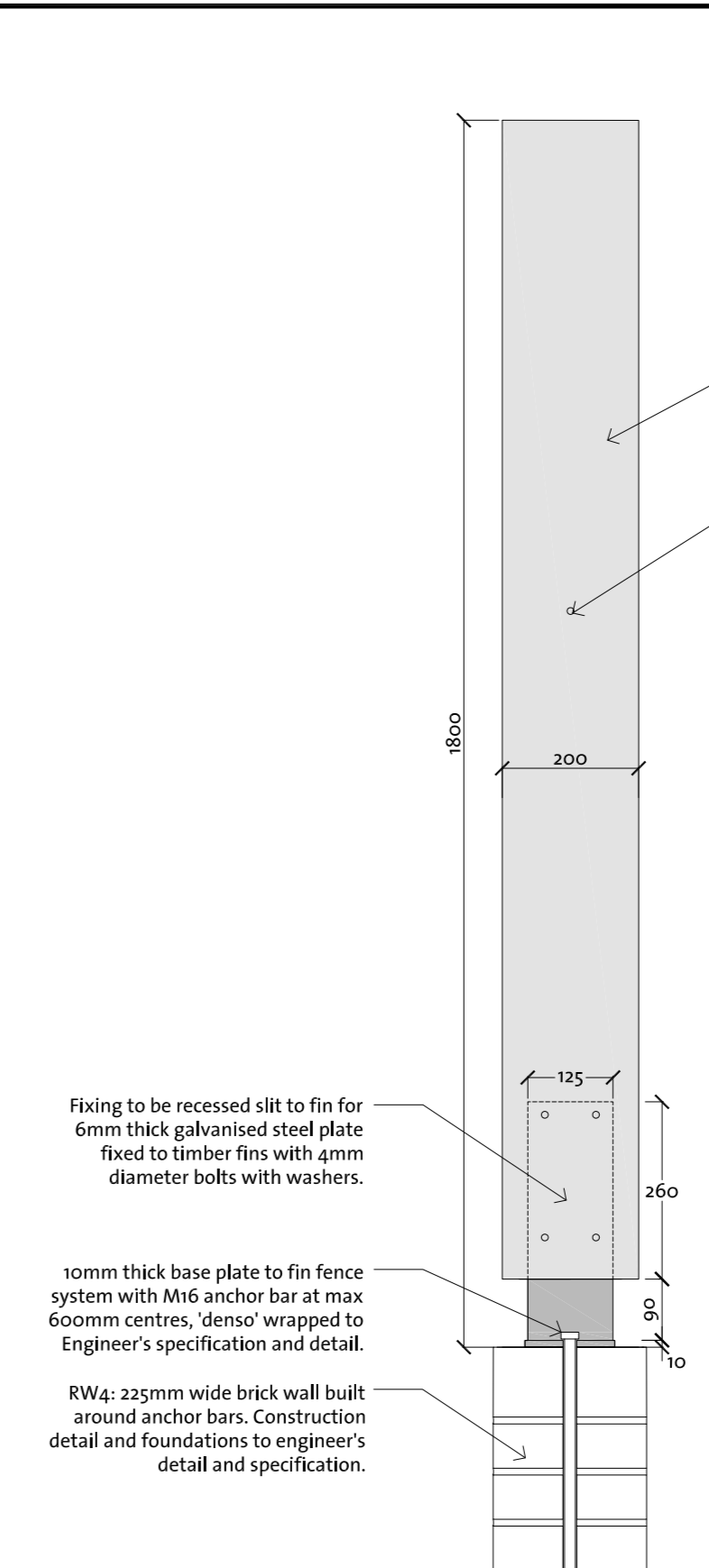
Elevation: Timber Fin Fence (TF1)



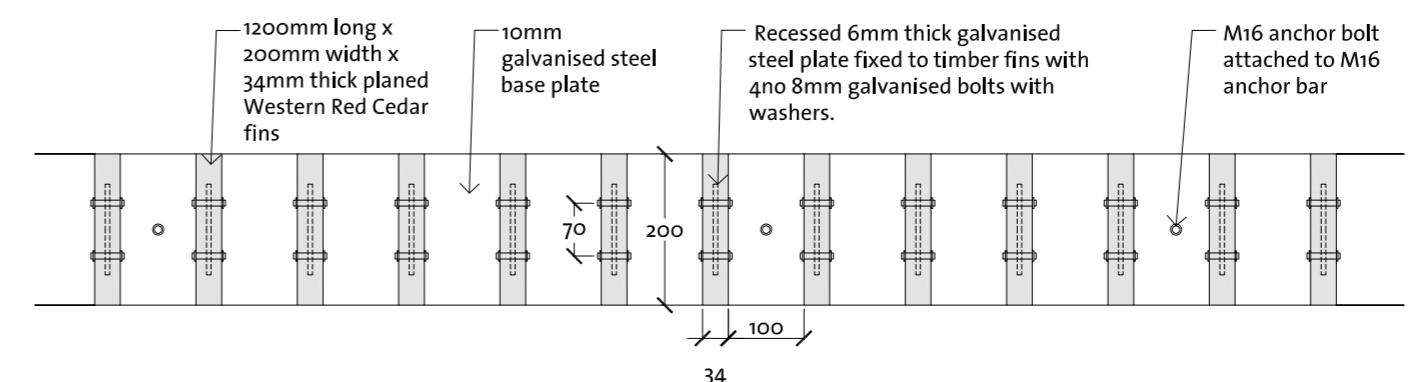
Section: Timber Fin Fence (TF1)



Front Elevation: Timber Fin Fence (TF2)



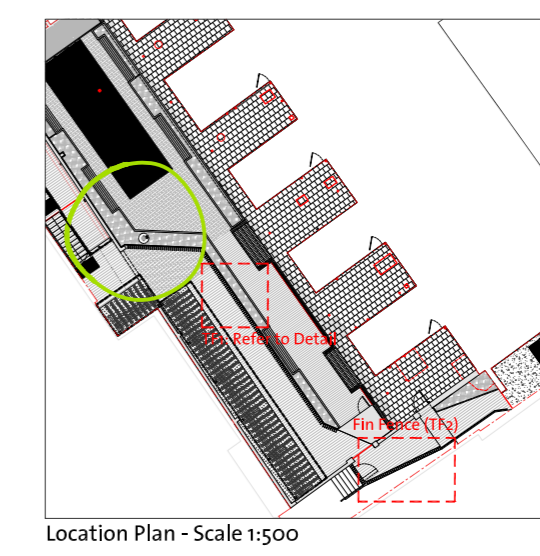
Section: Timber Fin Fence (TF2)



Plan View: Timber Fin Fence (TF2)

Note:
This Detail shows design intent and is not a workshop construction drawing

Manufacturer for timber fin fence:-
Langley Design (or equal and approved)
Unit 1 Priory Place, Hankerton, Wiltshire, SN16 9JZ
Contact: Nigel Brookes
T: 01666 577 422
F: 01666 577 233
E: info@langleydesign.co.uk



- GENERAL NOTES:**
1. ALL DIMENSIONS AND LEVELS SHALL BE CHECKED ON SITE PRIOR TO CONSTRUCTION WORK COMMENCING.
 2. ALL LANDSCAPE DRAWINGS TO BE READ IN CONJUNCTION WITH ALL RELEVANT ENGINEER'S AND ARCHITECT'S DRAWINGS AND SPECIFICATIONS.
 3. ALL DRAWINGS TO BE READ IN CONJUNCTION WITH THE LANDSCAPE SPECIFICATION.
 4. ANY DISCREPANCY CONCERNING THE DRAWINGS SHOULD BE REFERRED TO THE CA IMMEDIATELY.
 5. ALL DIMENSIONS IN MILLIMETRES UNLESS NOTED OTHERWISE
 6. ALL LEVELS IN METRES.
 7. DO NOT SCALE OFF THIS DRAWING.
 8. EXISTING SERVICE ALIGNMENTS SHALL BE CHECKED ON SITE BY THE CONTRACTOR PRIOR TO CONSTRUCTION WORK COMMENCING.

Rev	Date	Description	Drawn	Ch'd
03	23/02/2016	Planning Issue	HK	RB
02	10/04/2015	Planning Issue	HK	RB
01	27/03/2015	Stage E+ Issue for Comment	HK	RB
00	11/03/2015	Draft Issue for Co-ordination	HK	RB

B

B|D Landscape Architects

INFO@BDLANDARCH.COM
BDLANDARCH.COM
+44 (0)1 1684 298 582

D

B|D LANDSCAPE ARCHITECTS LTD
SUN STREET, TEWKESBURY
GLOUCESTERSHIRE, GL20 5NX
REGISTERED IN ENGLAND, NO.6739137

CLIENT
University College London

PROJECT
Campbell House

TITLE
Typical Detail: Timber Fin Fence (TF1 & TF2)

Status: Stage E+	Drawn: HK	Checked: RB
Scale: 1:10 @ A2	Date: 26.03.2015	Approved: RB

Drawing & Revision Number:
BD 0112 DD 309 R03