

DOUBLE-HUNG TILT-SASH WINDOWS



Double-Hung Tilt-Sash

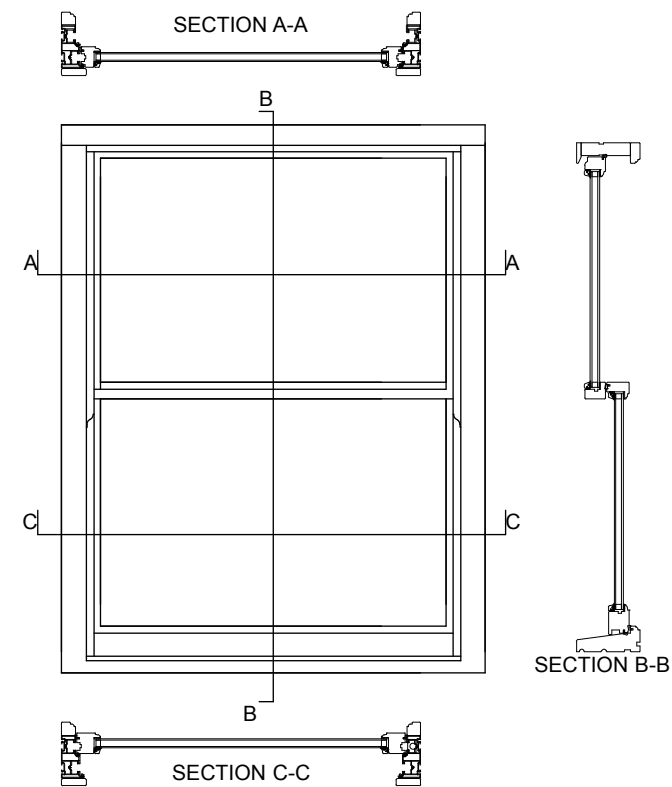
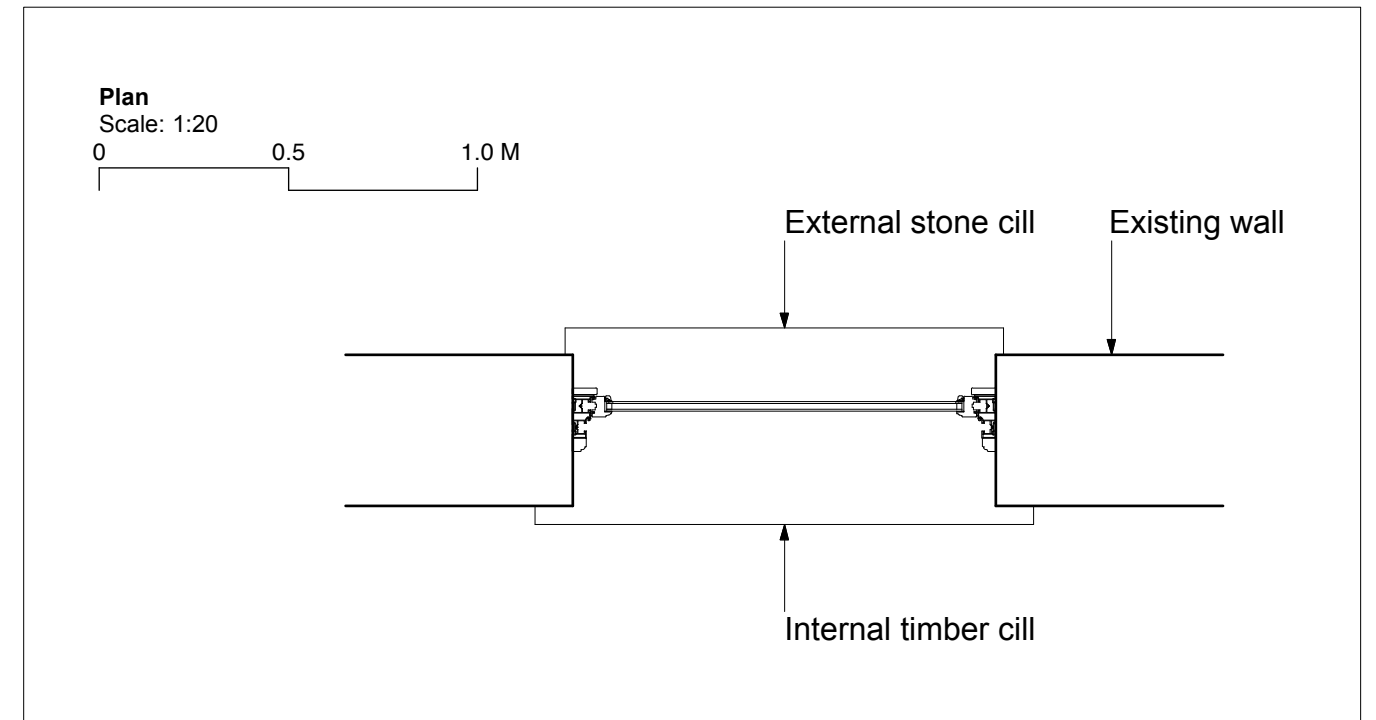


Double-Hung Tilt-Sash



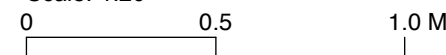
Style Cam-Lock

A double-hung window feature an upper and lower sash that slide vertically past each other in a single frame. Both sashes tilt in for convenient cleaning. In addition, our double-hung windows can be paired with fixed, radius and geometric windows.



Vertical sliding sash timber framed window

Scale: 1:20



GLA Architecture and Design

Southgate Office Village, Block E, First Floor,
286A Chase Road, London, N14 6HF

T 020 8886 5100 F 020 8886 0669 E g@glaad.co.uk

Revision:- **A1**: 29.01.16: ss : 1:20 plan added.

| | | |
|---|-------------|----------|
| Client | | |
| S. ASPRIS & SON LTD. | | |
| Main Contractor | | |
| Project | | |
| REPLACEMENT OF FACADE WINDOWS TO NO. 71 FALKLAND ROAD, LONDON NW5 2XB | | |
| Drawing Title | | |
| PROPOSED DOUBLE-HUNG TILT-SASH TIMBER FRAMED WINDOW- DETAILS FROM JELD-WEN UK. LTD | | |
| Scale | Date | Drawn By |
| 1:20 @ A3 | Jan 2016 | SS |
| Project No. | Drawing No. | Rev. |
| 1601 | 08 | A1 |
| DO NOT SCALE THIS DRAWING. ALL DIMENSIONS TO BE CHECKED ON SITE © Copyright | | |
| DRAWING STATUS | | |
| A SCHEME - Outline/Scheme drawings for proposals, budgets, etc. | | |
| B DESIGN DEVELOPMENT - Evolving final design drawings for approvals, tenders, billing etc. | | |
| C CONSTRUCTION - Fully developed drawings issued under instruction for construction. | | |
| ONLY STATUS 'C' DRAWINGS TO BE USED FOR CONSTRUCTION PURPOSES | | |