

Notes:

Concrete

Grade C32 / 40 (RC 40) minimum OPC 340 kg/cubic M and a max free water cement ratio of 0.5

Blinding grade C-10

20mm aggregate

75mm cover to links at bottom, 40mm to top & sides

Suspended Ground Floor

Imposed 5 kn/sqm

Finishes 2 kn/sqm

Max O/w PC floor 3 kn/sqm

Ground bearing slab.

Laid on 1200g polythene with 150mm double lapped and taped joints

200mm consolidated granular fill under slab

Brickwork.

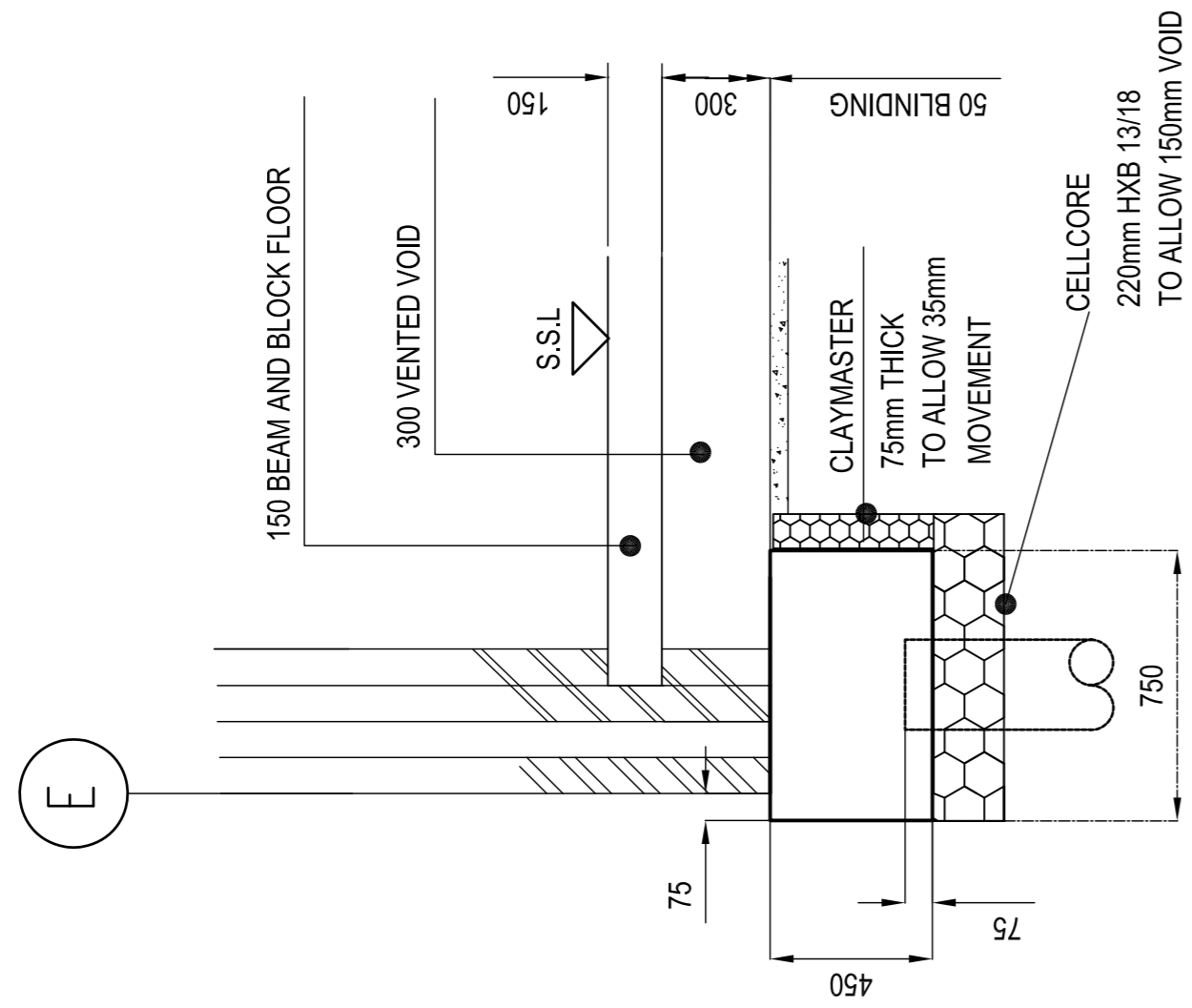
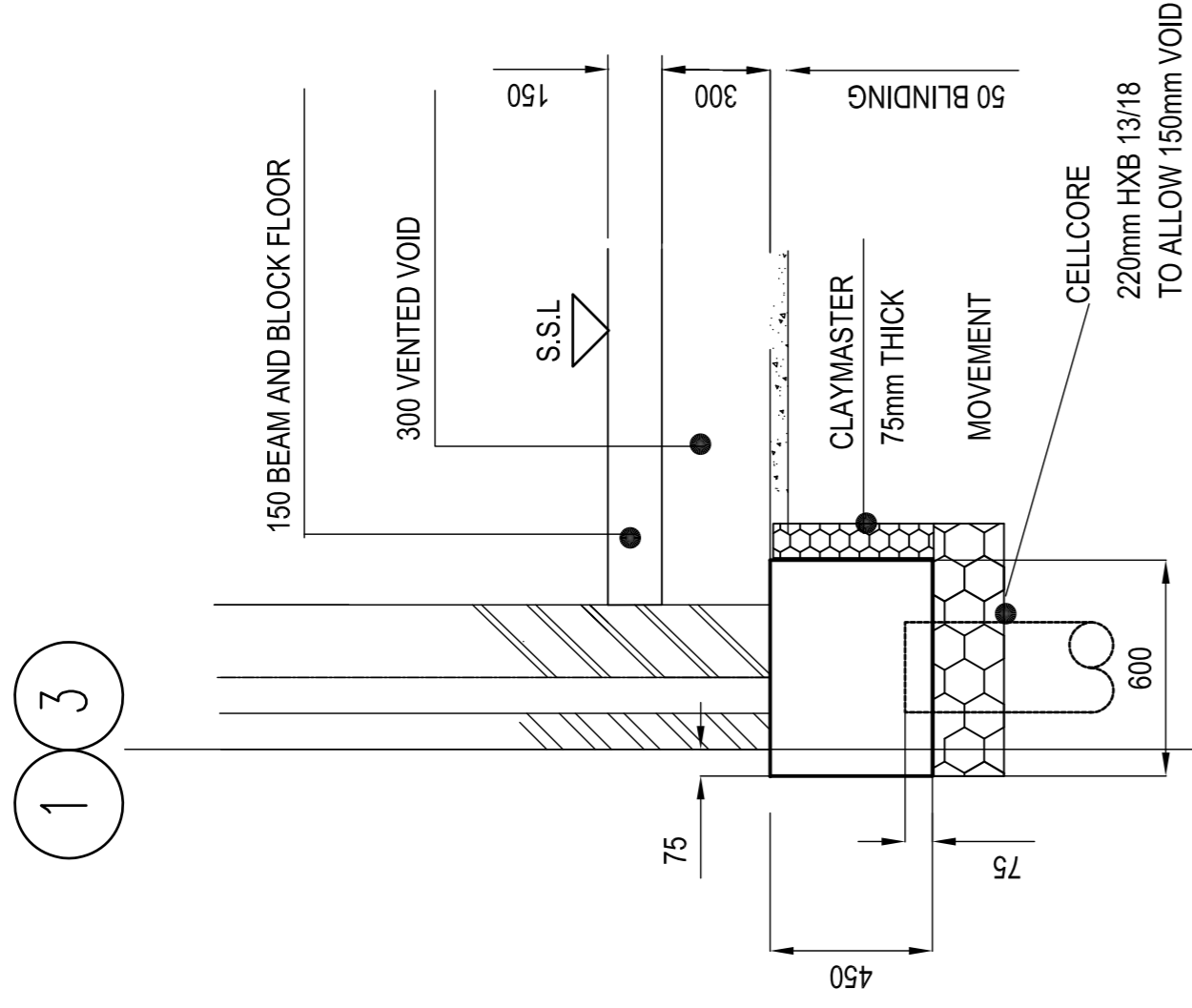
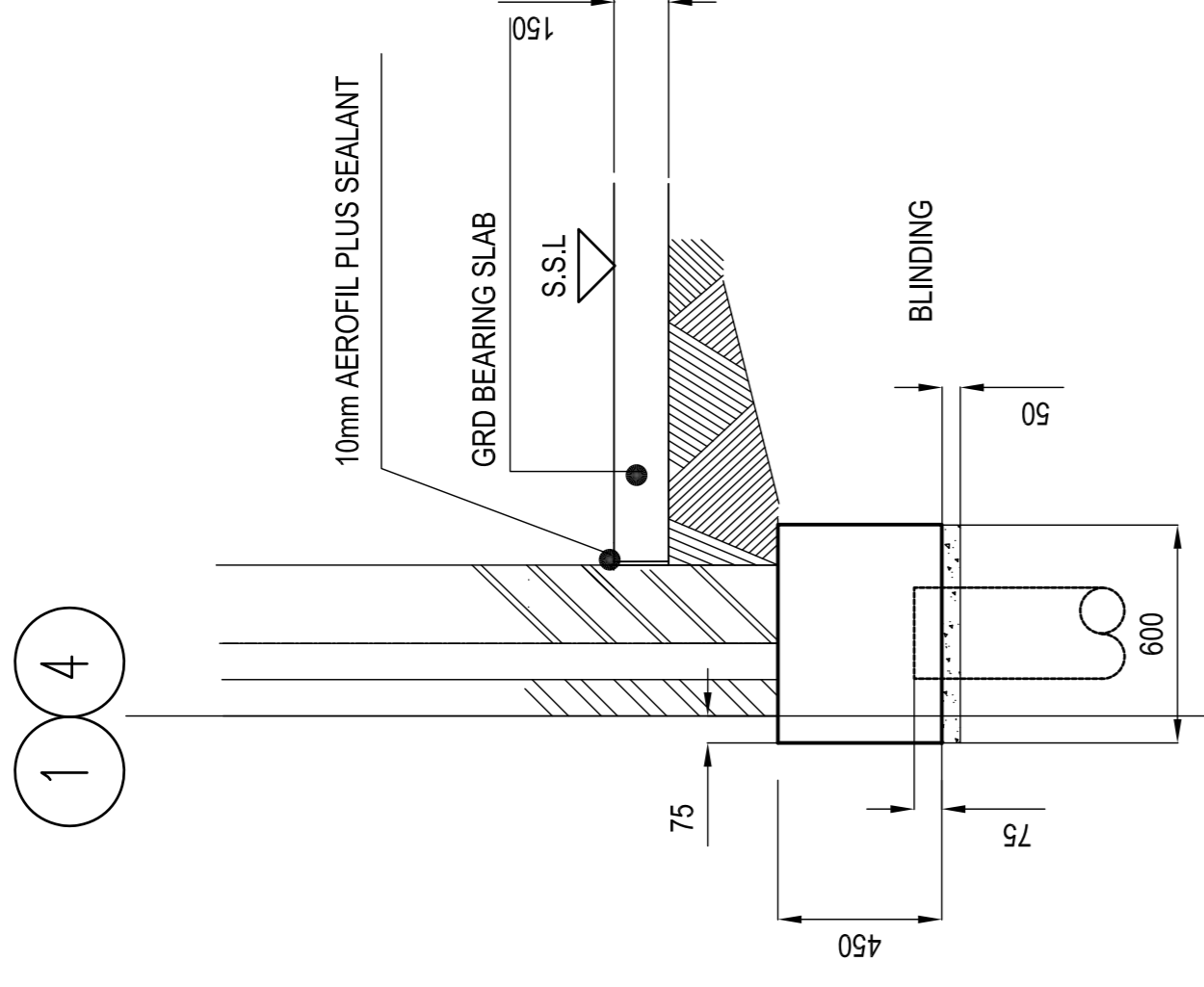
20 n/sqm min strength bricks in 1:1:6 mortar

Reinforcement in ground beams.

Provisional

H20 bars 30 kg/m run

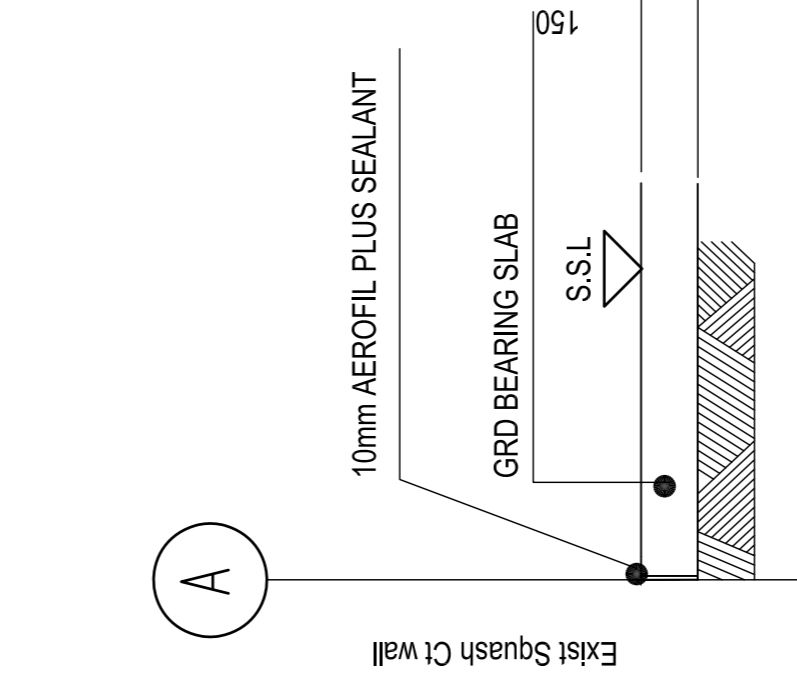
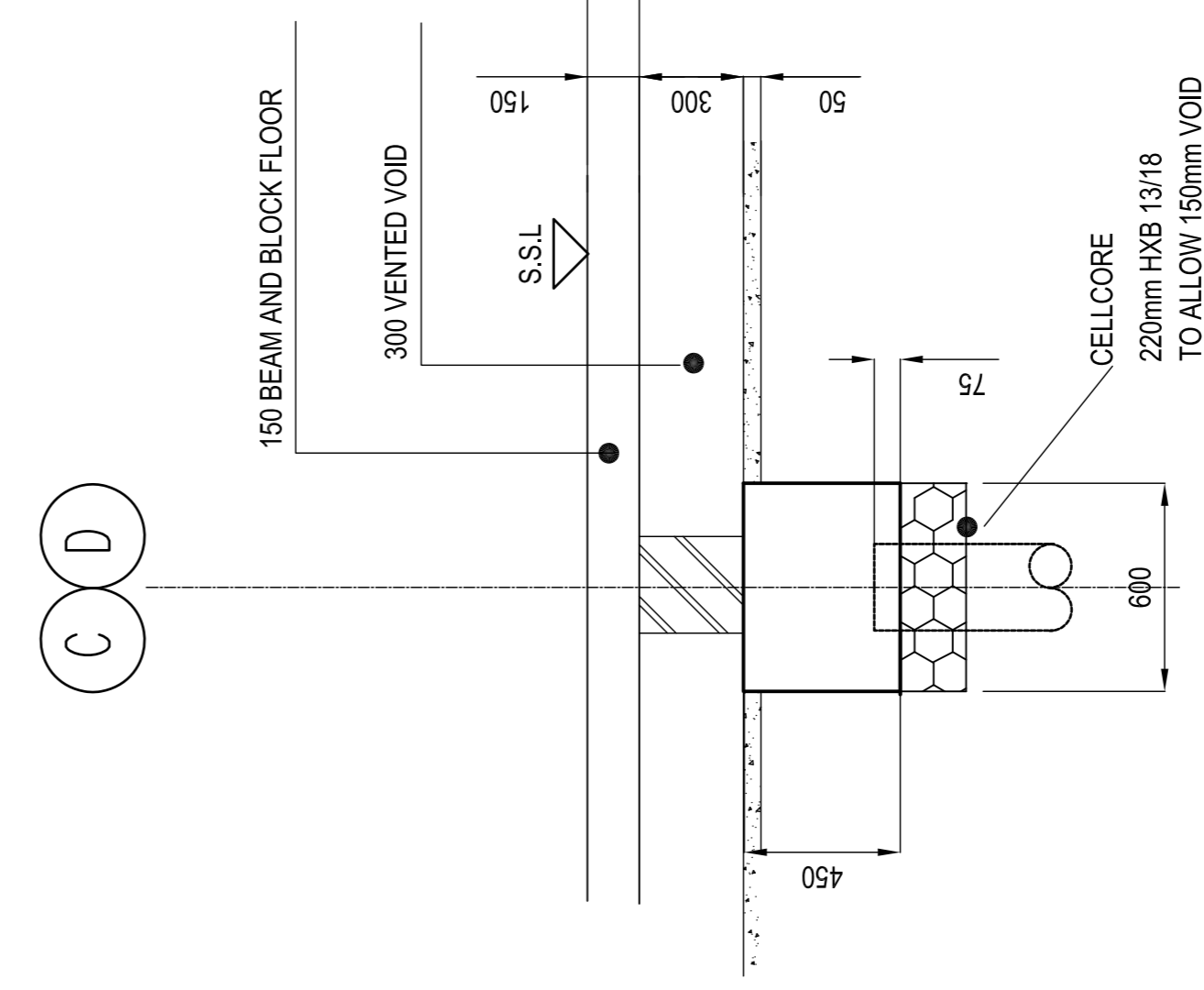
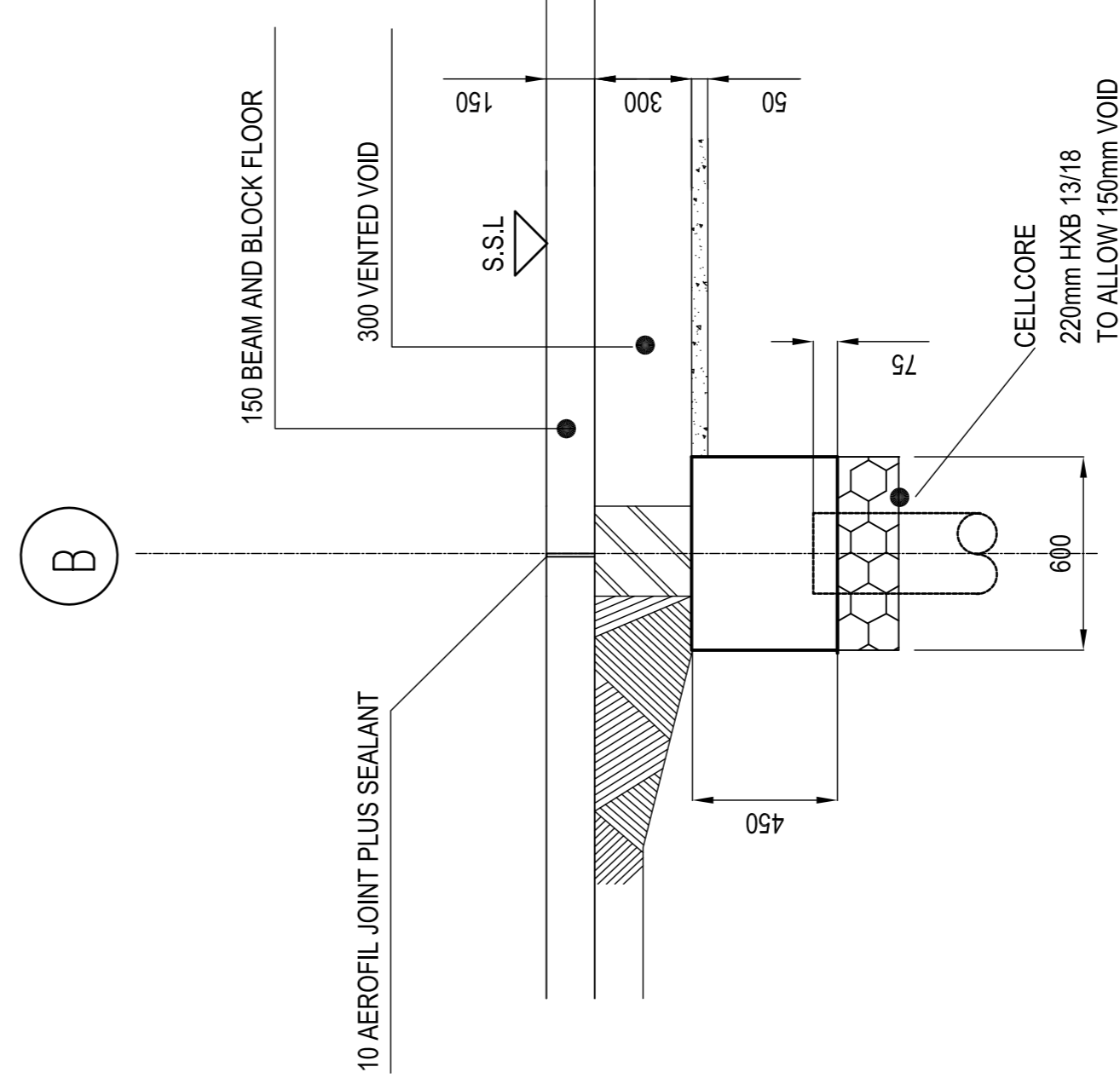
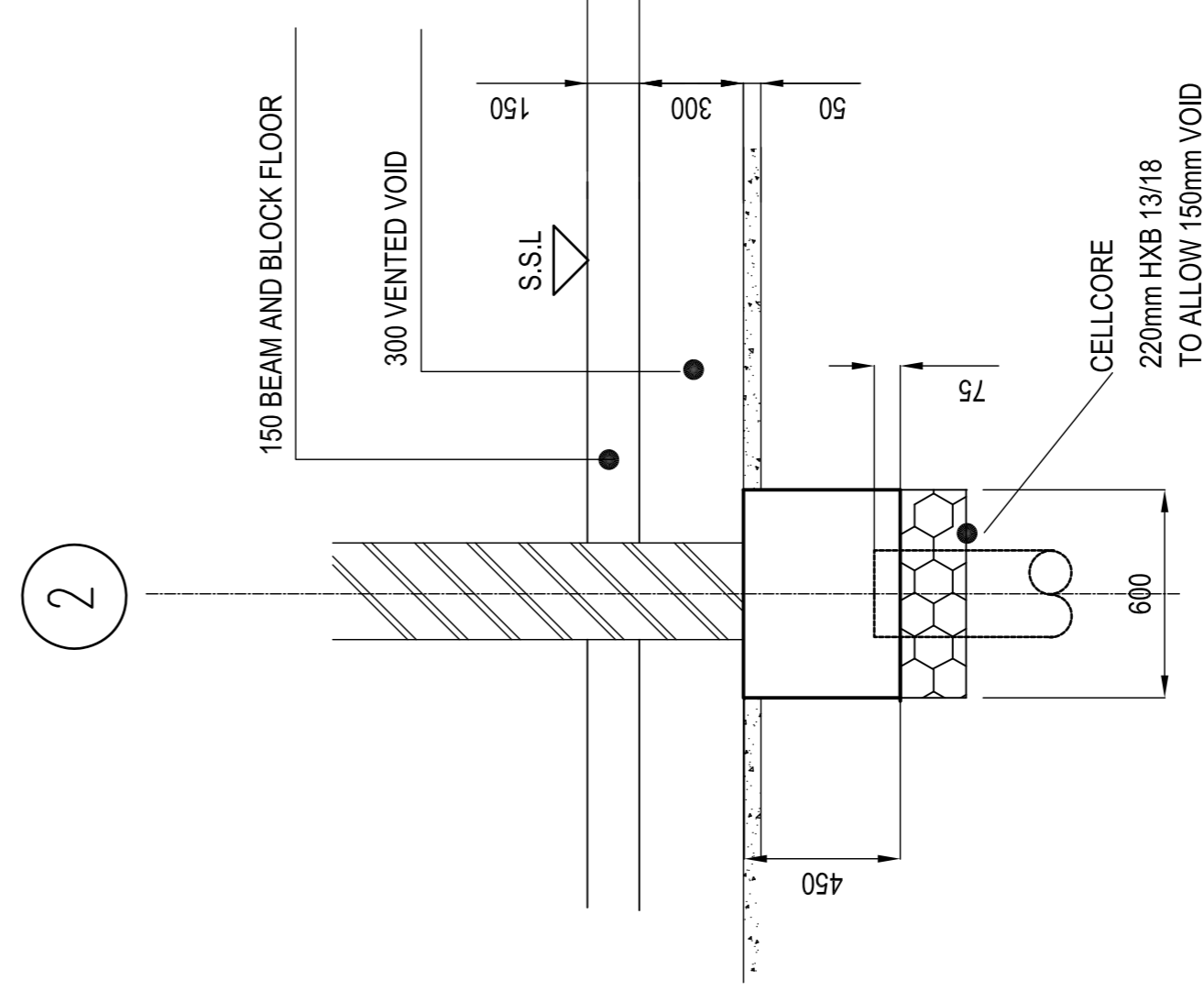
H10 links 10 kg/m run



Section A-A
SCALE 1:20
E04

Section B-B
SCALE 1:20
E04

Section C-C
SCALE 1:20
E04



Section D-D
SCALE 1:20
E04

Section E-E
SCALE 1:20
E04

Section F-F
SCALE 1:20
E04

Section G-G
SCALE 1:20
E04

P1	Preliminary	7 Dec 15
revisions		

C J Dewhurst Ltd

27 St James's Avenue,
Hampton Hill,
Windsor,
Windsor,
WY13 2JH,
Tel: 07888 821 422
e-mail: chjs@cjdw.com

CJD

The Cumberland Lawn Tennis Club
25 Avenley Gardens
London NW6 1JD

Ground Floor Sections

Scale:	Date:	Job No:	
1:20 @ A1	Dec 15	8872	
Drawn No:		Rev'n	
E-004		P1	
			A1