

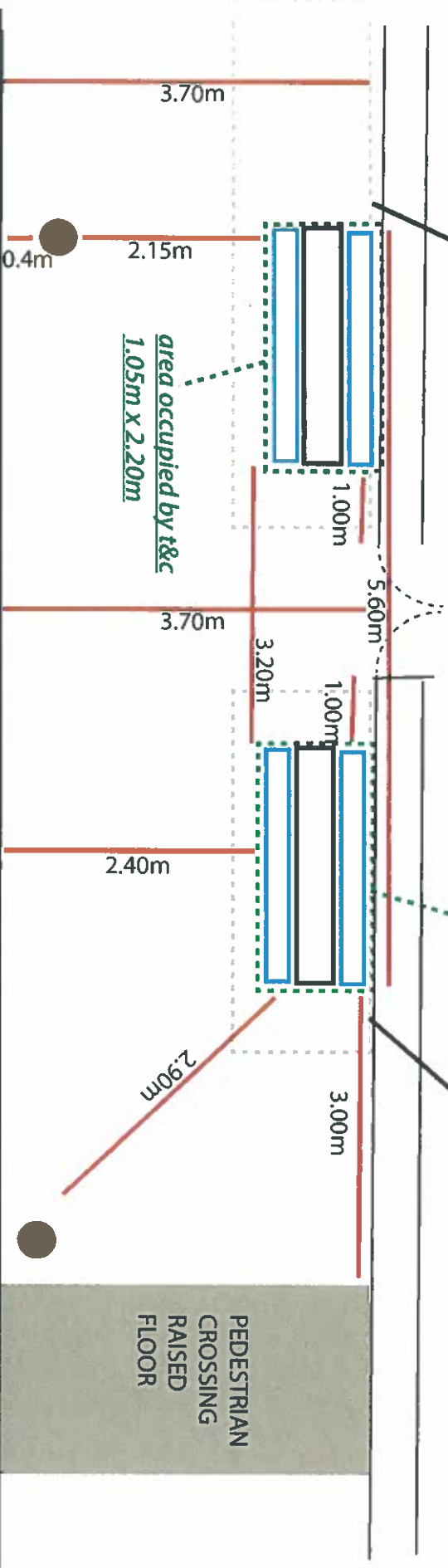
**THE YORKSHIRE GREY, 29-33 GREYS INN ROAD, LONDON, WC1X 8HR**

STUDDED HIGHWAY  
BOUNDARY : 1.20M X 5.00M

**INSIDE THE PREMISES**

*area occupied by t&c*  
1.05m x 2.20m

STUDDED HIGHWAY  
BOUNDARY : 1.20M X 3.40M



**THEOBALDS ROAD**

**TABLE DETAIL**


- KEY**
- TABLE
  - BENCH (X4 SEAT)
  - LAMP POST

**NB. NOT TO SCALE**