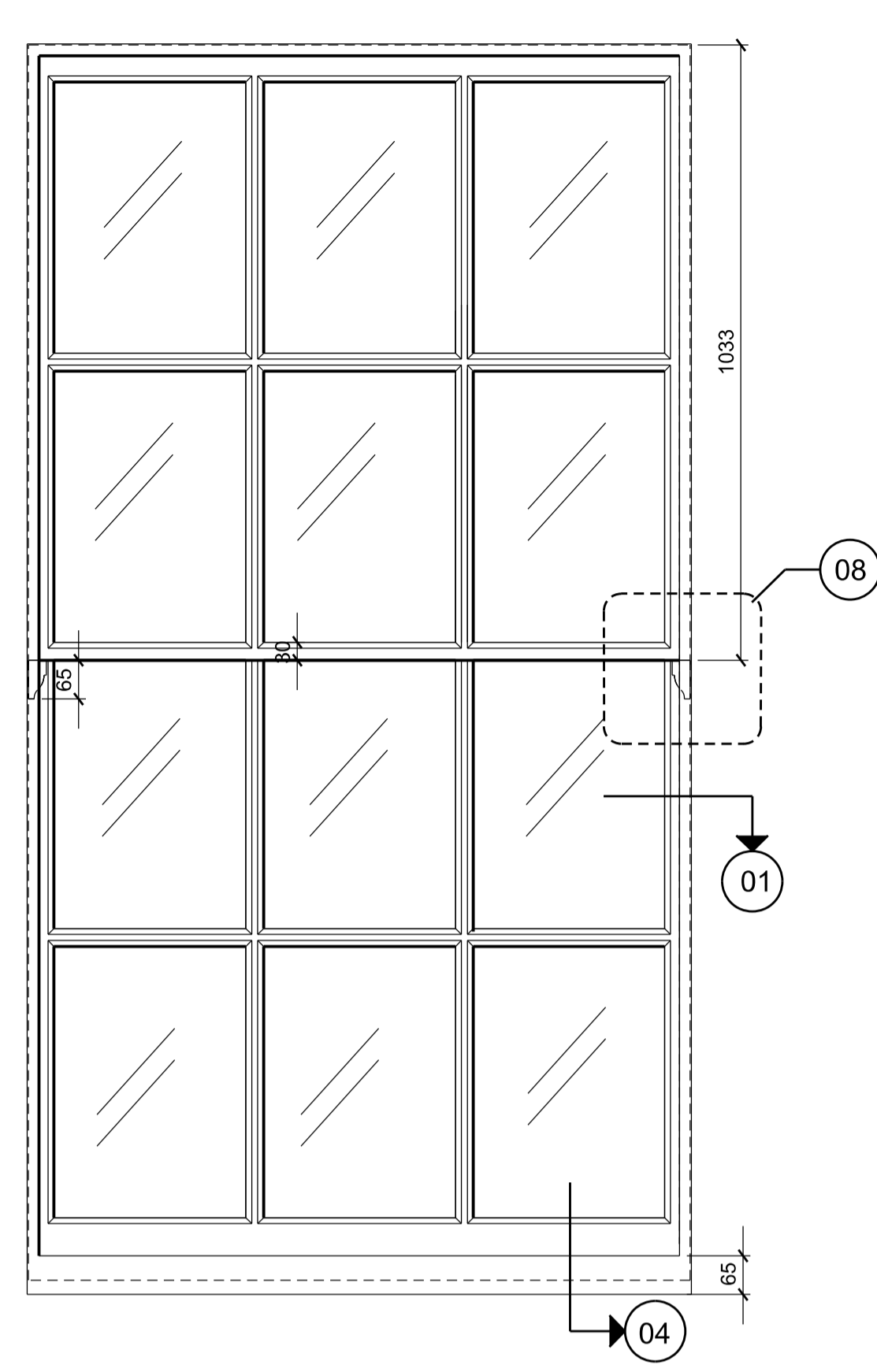
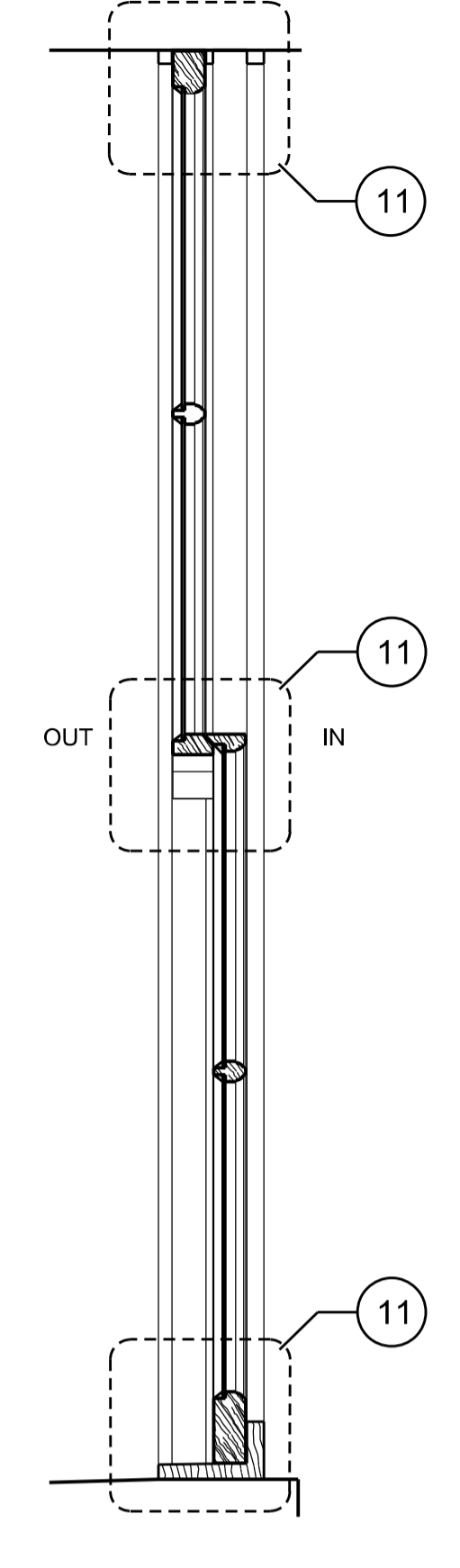


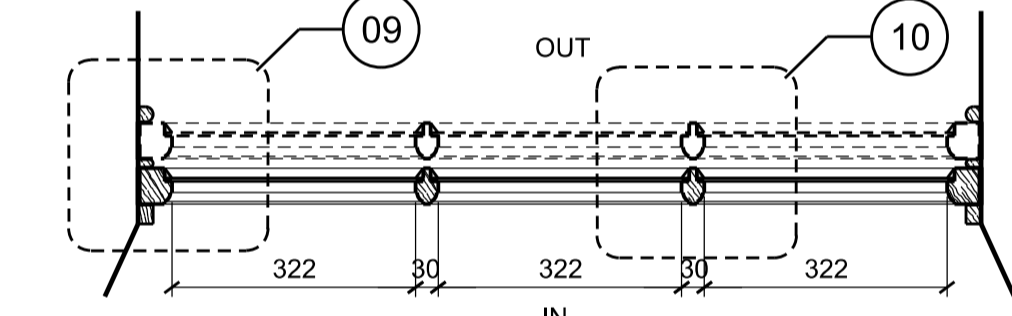
02 Internal Elevation
1:10



03 External Elevation
1:10



04 Section
1:10



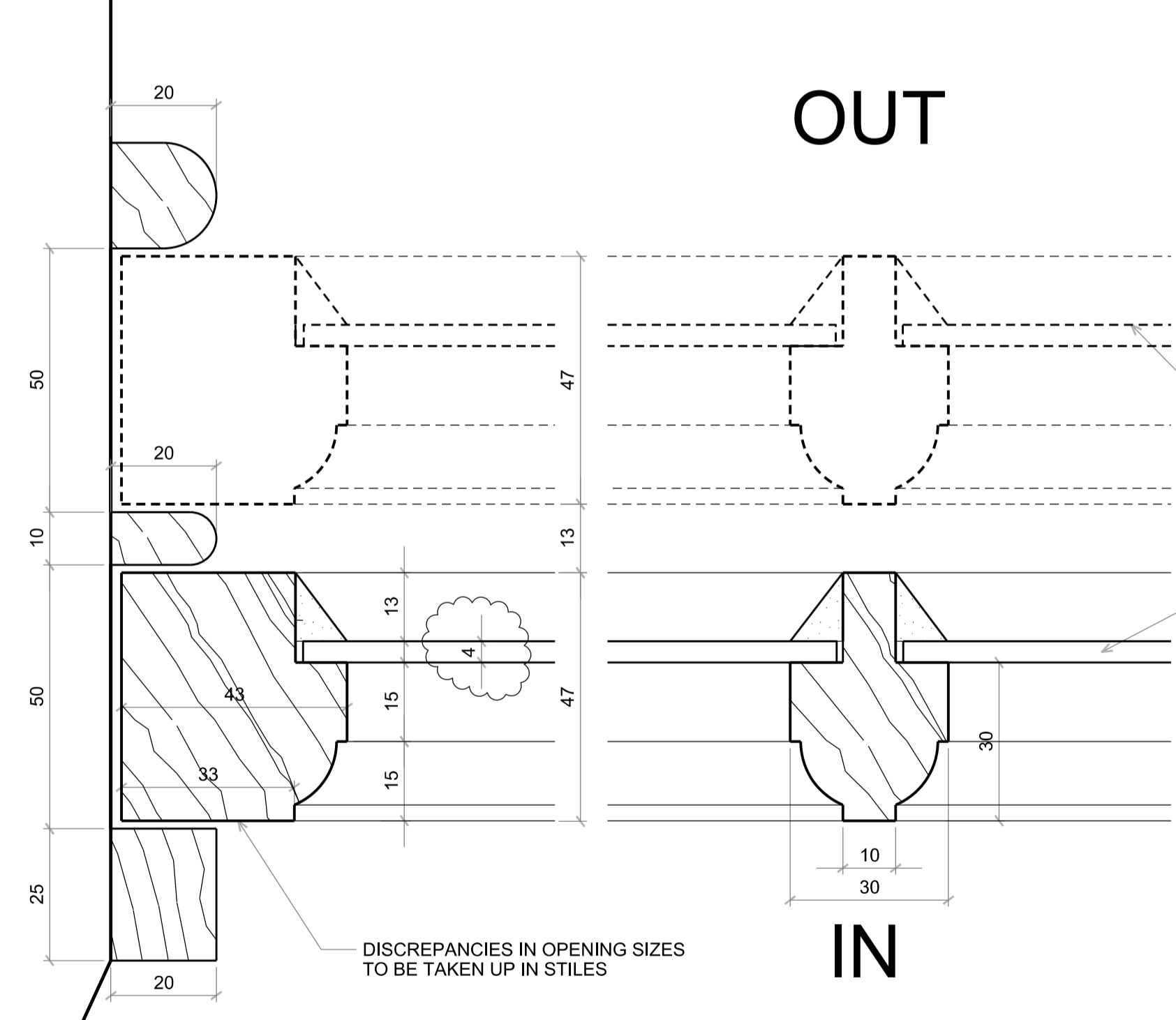
01 Plan
1:10



05 Matching Window Interior



06 Matching Window Exterior

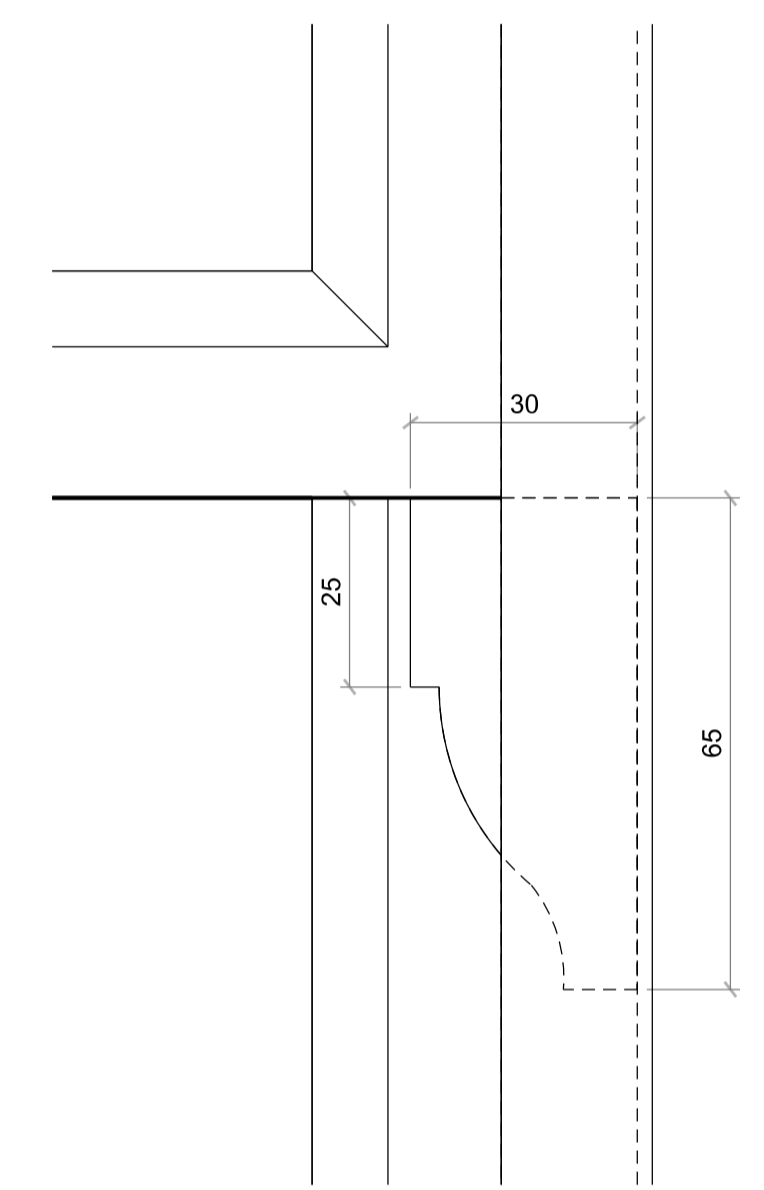


09 Jamb Detail - Plan
1:1

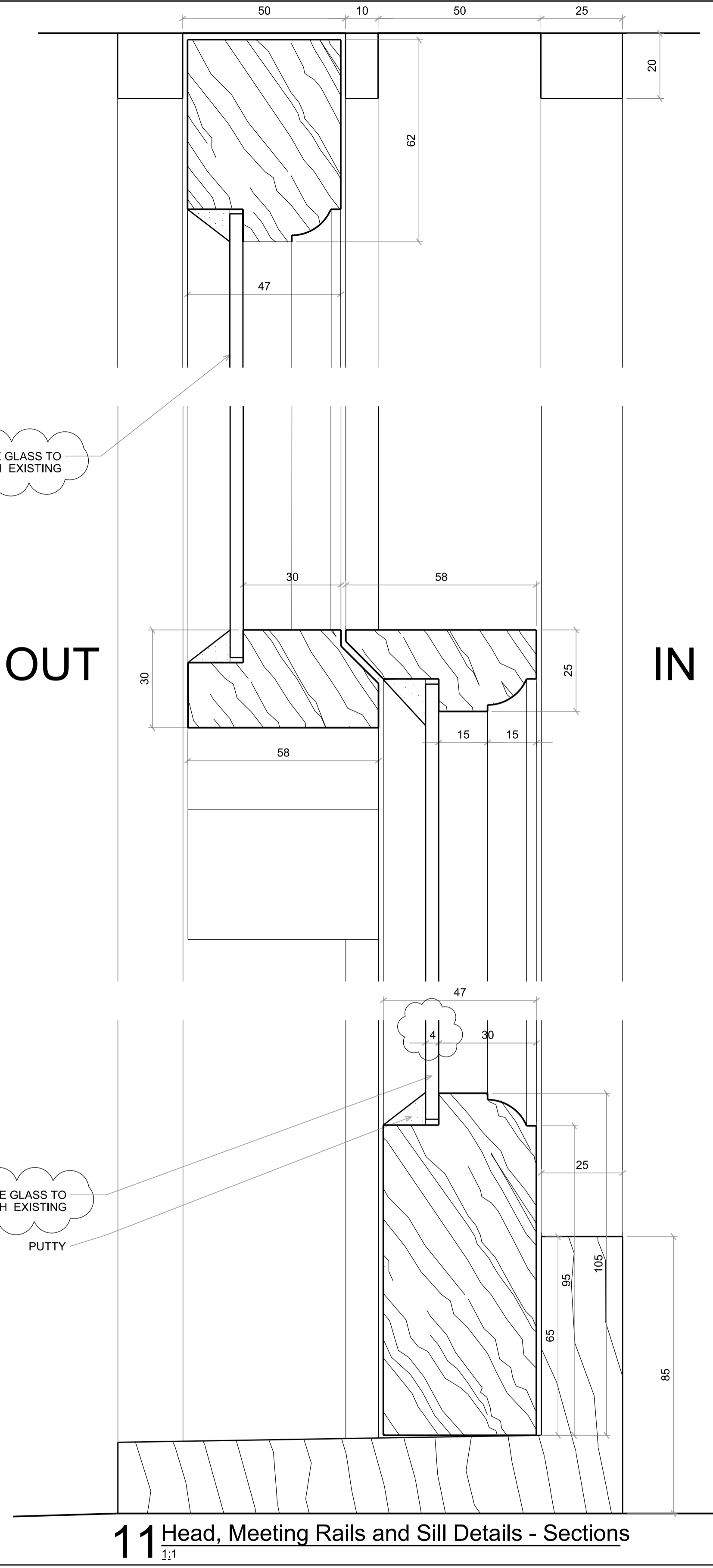
10 Glazing Bar Detail - Plan
1:1



07 Existing Exterior W.0.2



08 Lug Detail - External
1:1

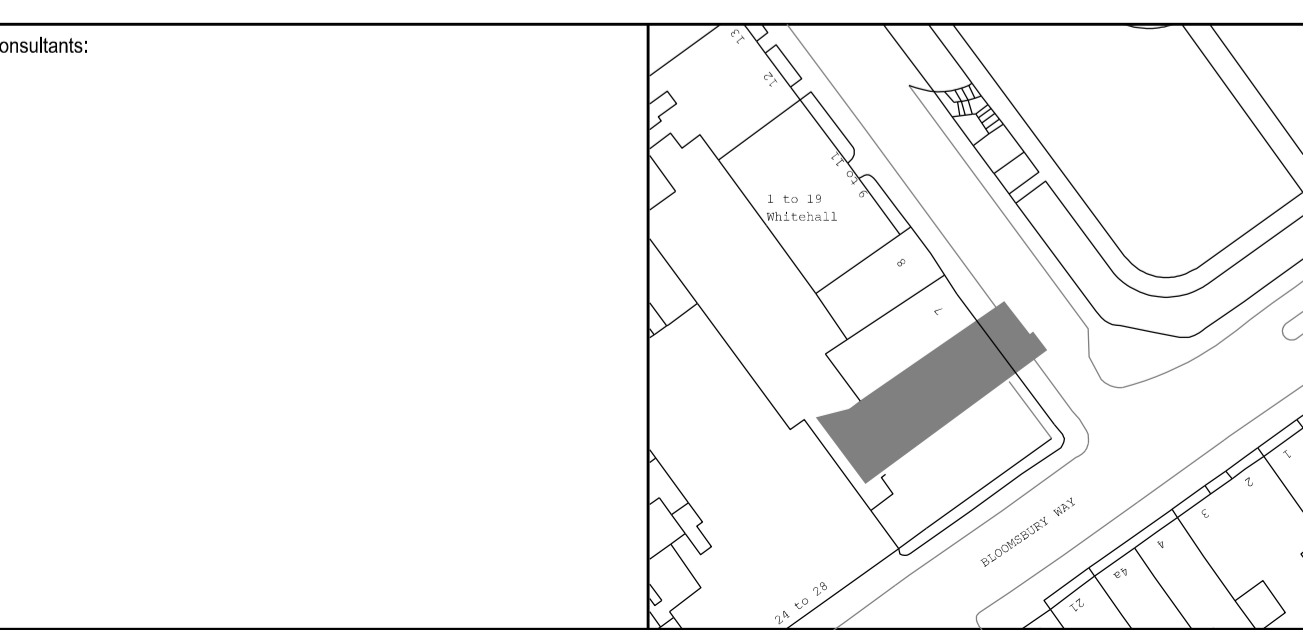


11 Head, Meeting Rails and Sill Details - Sections
1:1

Disclaimer:
Do not scale from this drawing.
Check all dimensions on site before fabrication or setting out.
This document is copyright and may not be reproduced without permission of the owner.
Ordnance Survey data contained herein is for use on this project only. Third parties involved in this project wishing to reproduce this data for the purposes of said project, may do so on display of the following :
© Crown Copyright All rights reserved 2010 License No. 0100031673

Notes:
All dimensions are indicative and must be checked on site.
Weight mechanism not shown

Rev:	Notes:	Date:	Dwn:	Iss:
00	Construction	13.11.2015	MP	RM
A	Glass thickness changed to 8mm	25.11.2015	TN	RM
B	Glass thickness changed to 4mm	10.03.2016	TN	RM



Flanagan Lawrence
66 Porchester Road, London W2 6ET, UK
T +44 (0)20 7706 6166 F +44 (0)20 7706 6266
www.flanaganlawrence.com E info@flanaganlawrence.com

Client:
SOUTH BLOOM LTD

Project:
6 Bloomsbury Square WC1A 2LP

Drawing Title:
New Window Details W.0.1 W.0.2

Drawn By: **MP** Issued By: **RM** Date of First Issue: **13.11.2015**

Project No: **14-025** Scale @ A1: **As Indicated**

Drawing No: **A-30-700** Revision: **B**