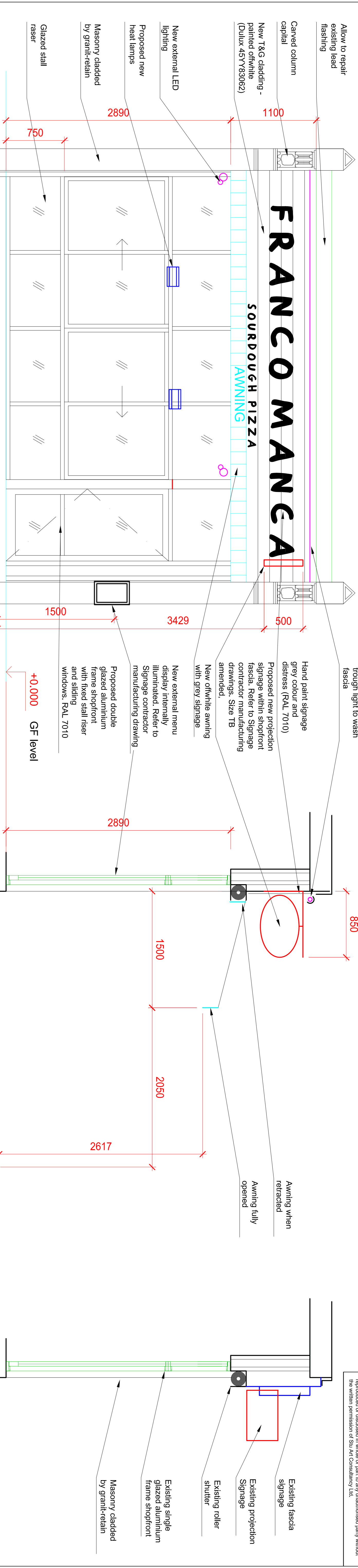
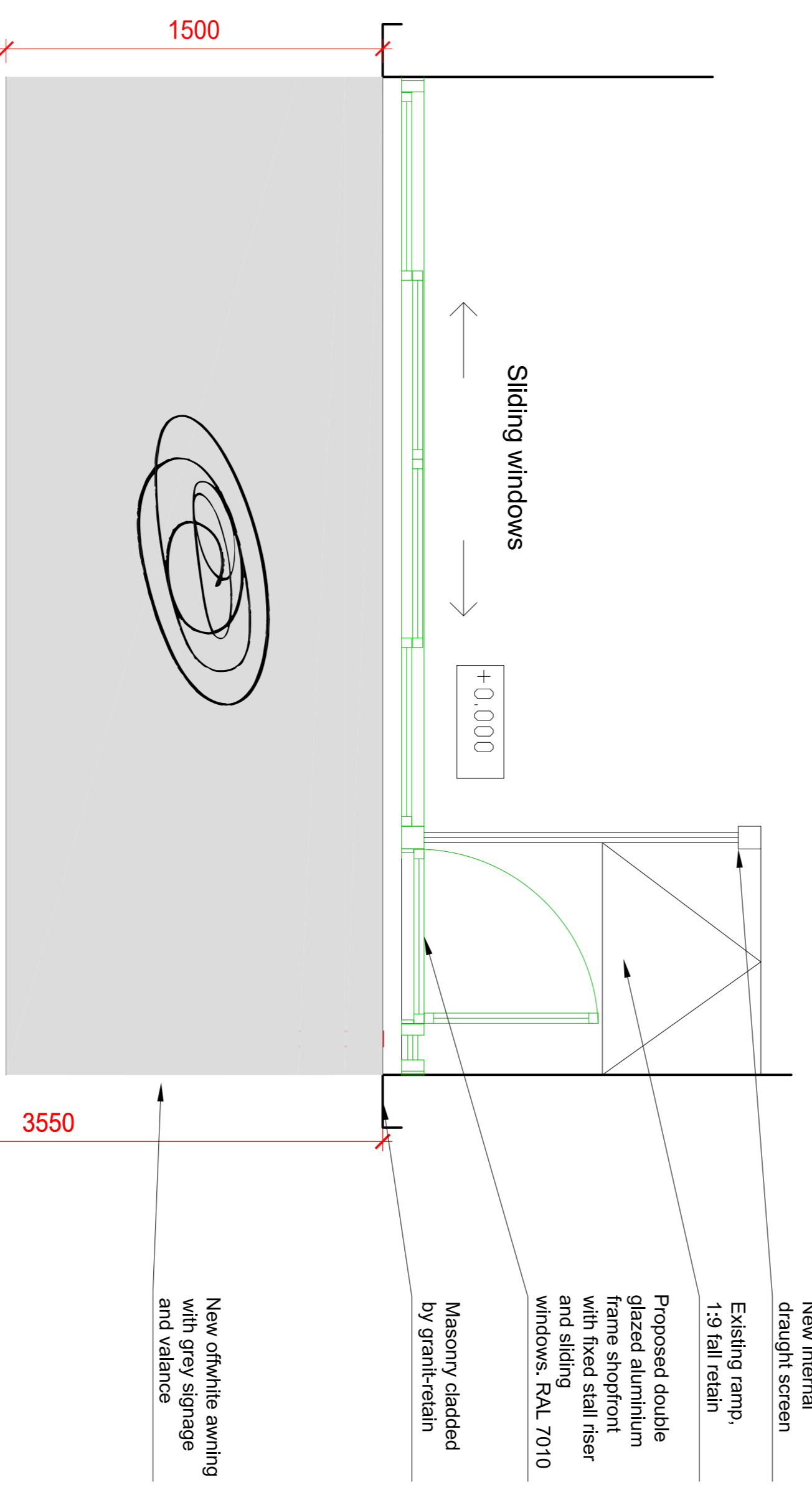


Proposed Shopfront

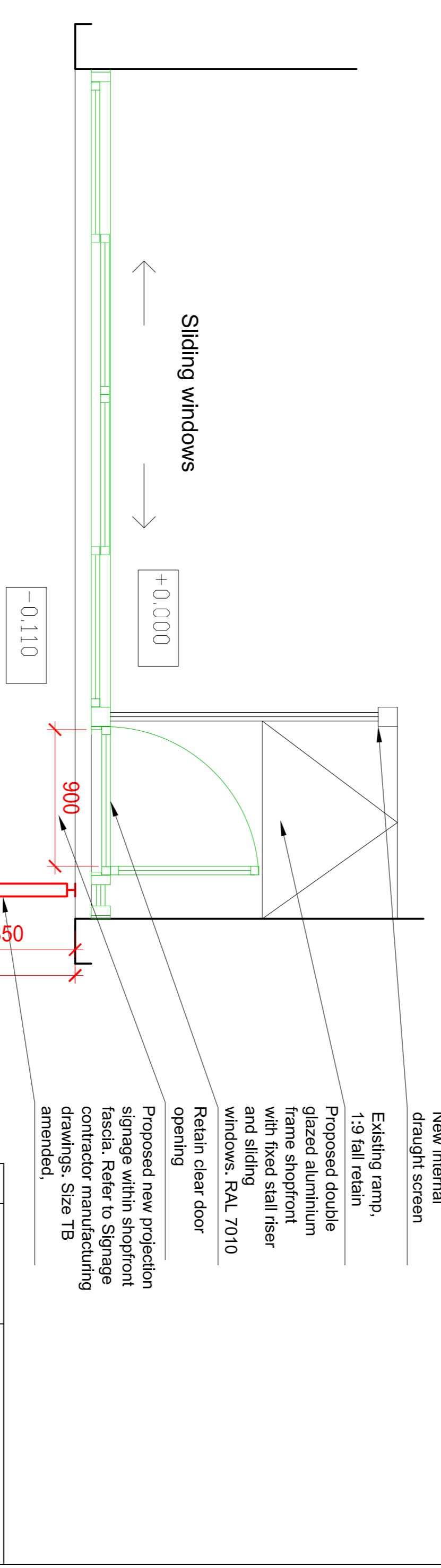


NOTES
All dimensions must be checked on site and not scaled from this drawing. This drawing is the property of Sit Art Consultancy Ltd and they reserve the copyright. It is issued on the understanding that it will not be copied, reproduced or disclosed in whole or part to any unauthorized party without the written permission of Sit Art Consultancy Ltd.

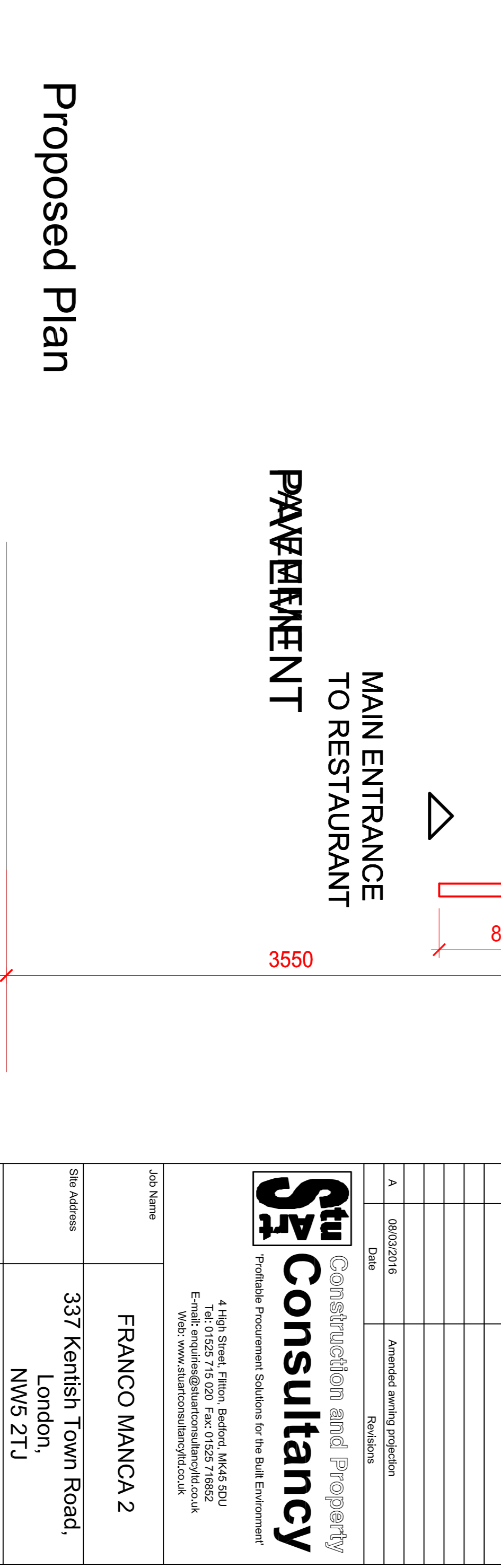
Proposed Shopfront



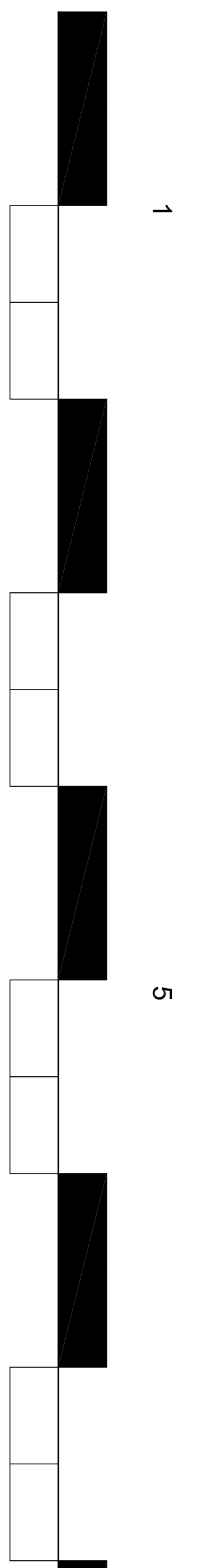
Proposed Section



Existing Section



Proposed Awning Perimeter



Proposed Plan



Stu Construction and Property Consultancy
 4 High Street, Filton, Bedford MK45 5DU
 E-mail: enquiries@stuartonsullivanplc.co.uk
 Web: www.stuartonsullivanplc.co.uk
 Portable Procurement Solutions for the Built Environment

Job Name	FRANCO MANCA 2
Site Address	3377 Kentish Town Road, London, NW5 2TJ
Drawing Title	Proposed Signage

For Information	
Scale	1:250@A1
Date	24/02/2016
Drawn By	SK
Checked	KS
Drawing No.	FM/KT/09
Rev	A