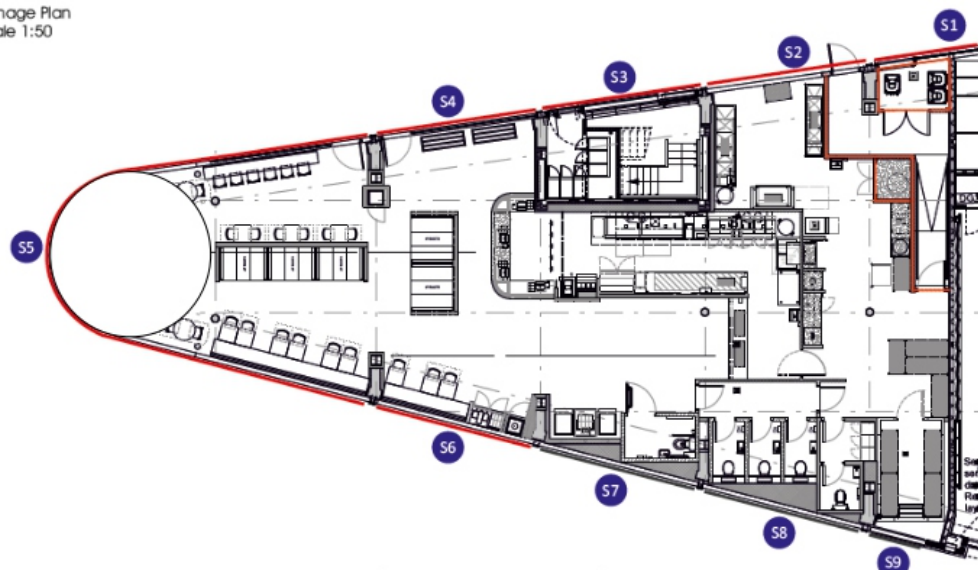
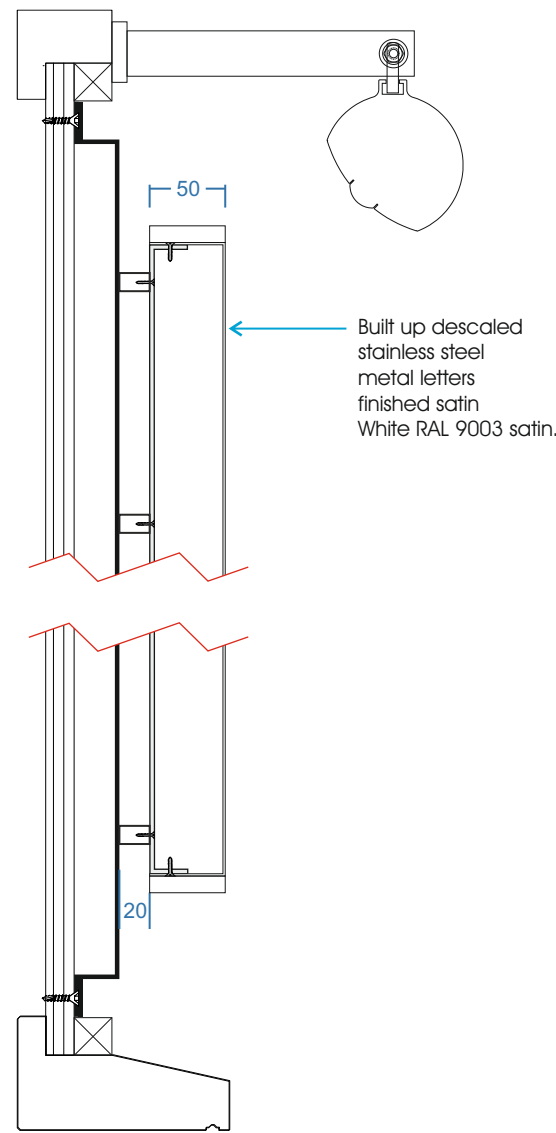


Signage Section
Scale 1:10

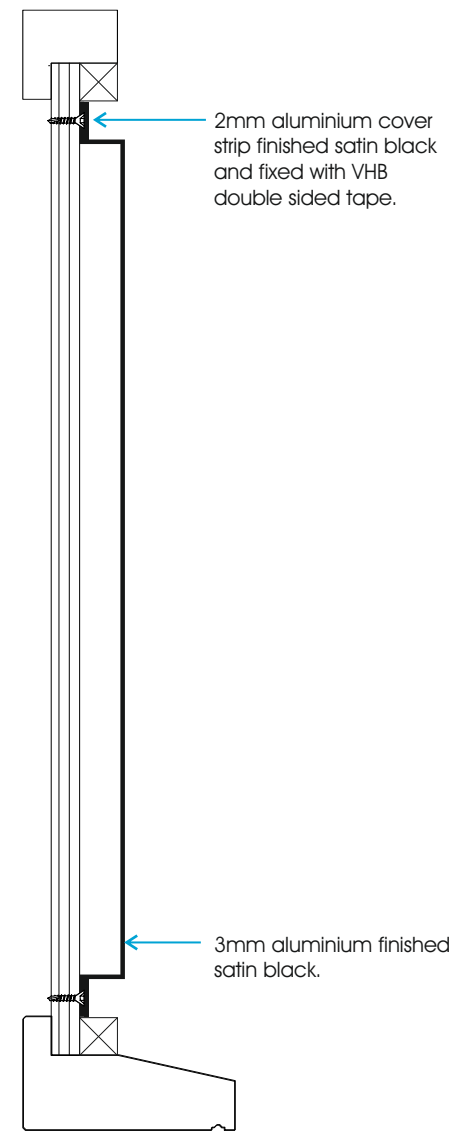
Signage Plan
Scale 1:50



Fascia's, overall dims and dims within trims.



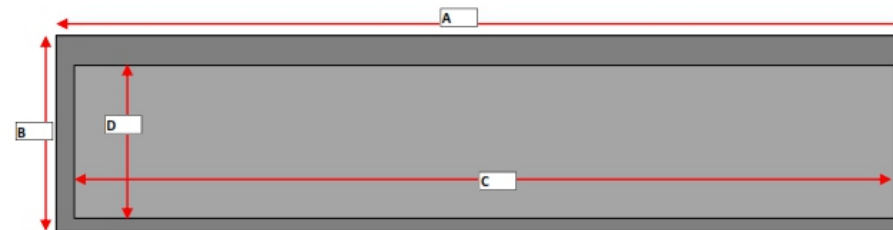
Fascia & Letter Section
Scale 1:5



Fascia & Letter Section
Scale 1:5

GENERAL SPECIFICATION

Fabricated background panels constructed from folded 3mm. aluminium with top and bottom upstand. Fully finished Black satin. externally with 2mm aluminium shadow gap 'covers'.
Built up individual non-illuminated lettering as shown.
Lettering constructed from descaled mild steel on standoff fixings. finished Satin White externally. Externally illuminated using. Fabricated LED Striplight unit finished Black Satin.



Sign	A	B	C	D
S1	5245	700	5125	620
S2	5460	695	5335	615
S3	5450	695	5325	615
S4	5555	700	5435	620
S5 Curved				
S6	5595	700	5475	620
S7	5555	690	5435	605
S8	5565	690	5445	605
S9	5530	695	5410	610

Client:
Five Guys - Kings Cross

Description:
Signage Section

Drawn By: M. Mannix
Checked By: Jmc
Date: 16.11.2015

Drawing No: MM-1115-62
Status: For Approval
Scale: A/S @A3

Revisions:
A | 20.11.15 | Amended section
B | 03.12.15 | X height of 'F' height confirmed
C | 15.02.16 | Amended to satin black
D | 04.03.16 | JM - Fascia signage updated
E | 00.00.14

geetee signs
Bestwood Road | Bulwell
Nottingham | NG6 8SS
Tel: 0115 976 1188
Fax: 0115 976 1213

PREFERRED FORMATS: CorelDRAW X5 .cdr, Adobe Illustrator CS3 .ai, Encapsulated Post Script .eps
OTHER FORMATS: Adobe Acrobat .pdf, Adobe Photoshop CS3 .psd, AutoCAD 2007 .dwg/.dxf

WE REQUIRE VECTOR GRAPHICS (LINES AND CURVES WITH FONTS BROKEN APART) FOR CUTTING / MANUFACTURE OR HIGH RES IMAGES FOR DIGITAL PRINTING. PLEASE SUPPLY ANY COLOUR REFERENCES, FONTS AND ARTWORK GUIDELINES. ARTWORK DEVELOPMENT, RE-GENERATION OR CONVERSION MAY INCUR ADDITIONAL COST.