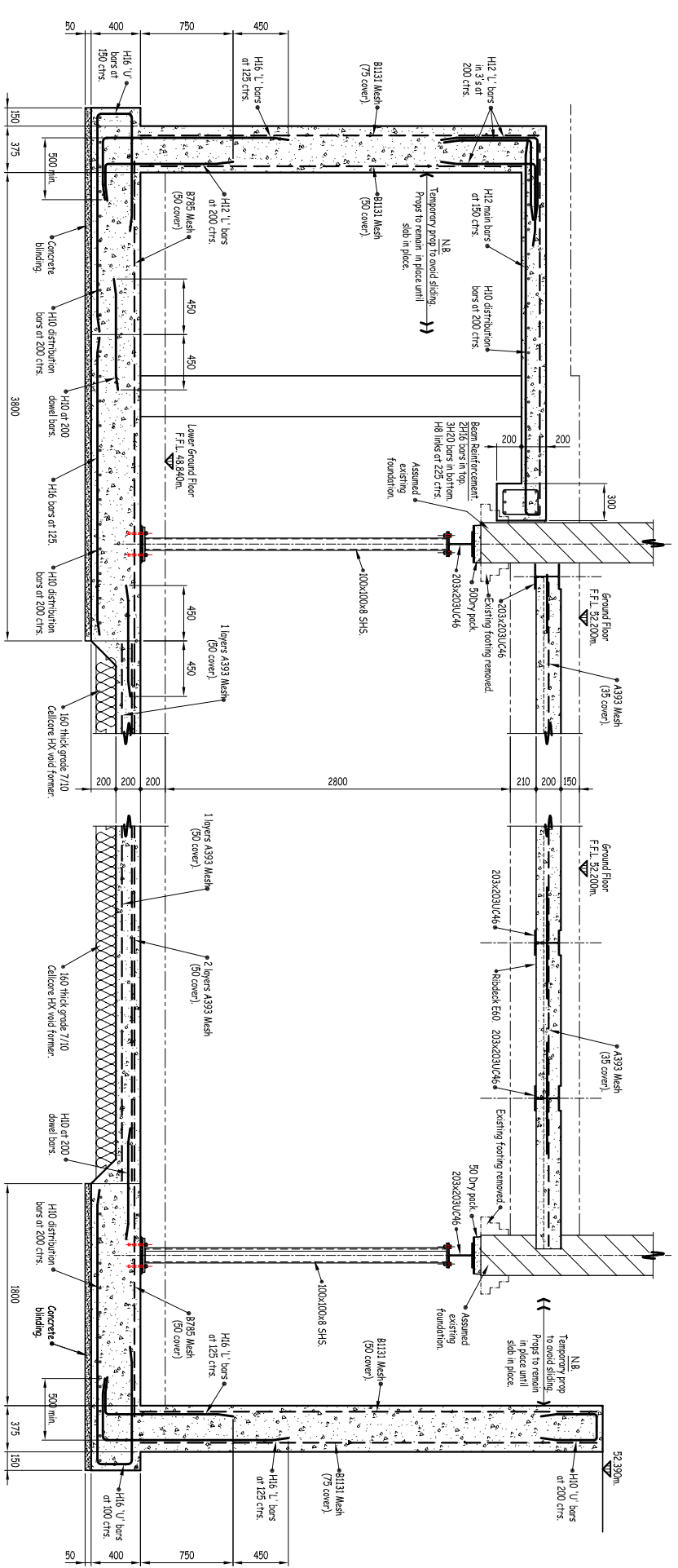
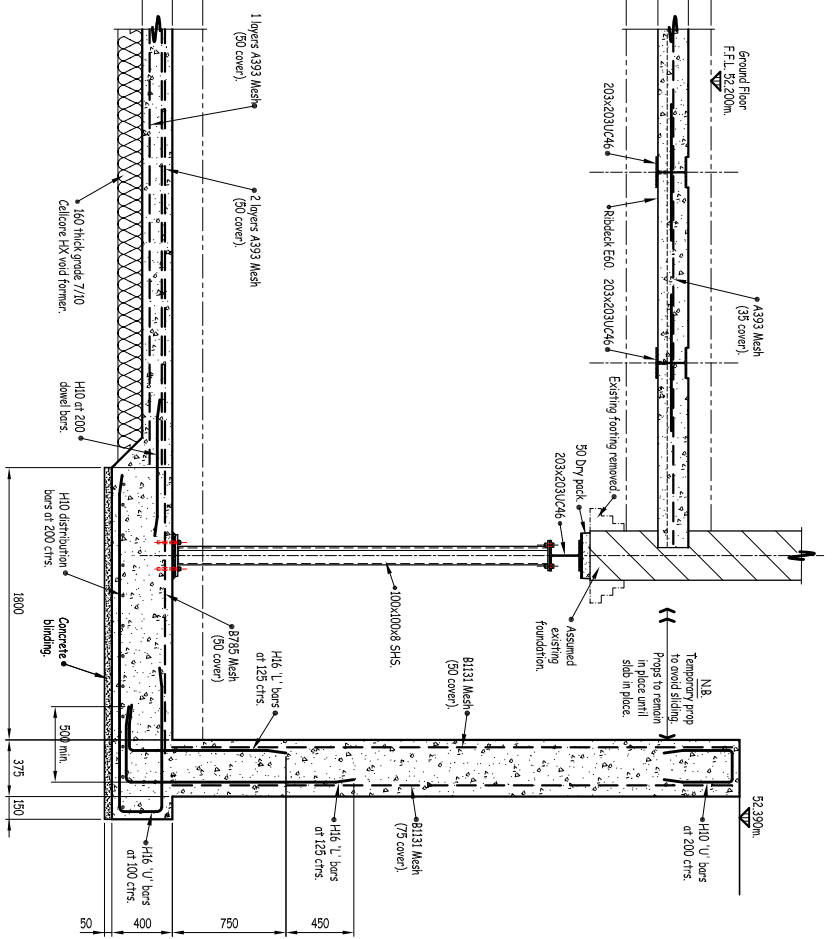


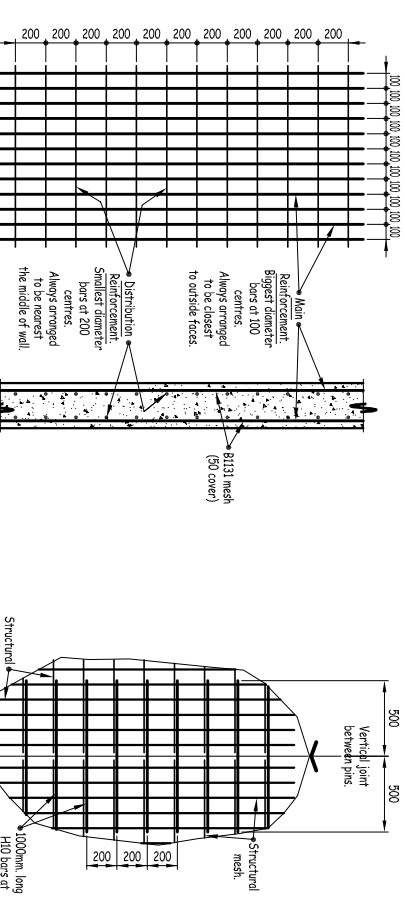
Section 1-1. (Scale 1:25 of A1.)



Section 2-2. (Scale 1:25 of A1.)



Section 3-3. (Scale 1:25 of A1.)

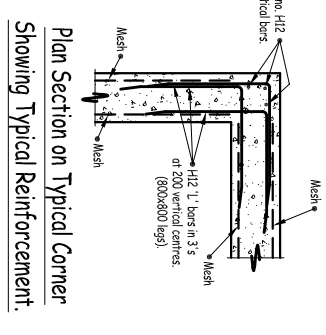


Part Elevation on Wall Showing Lacing Reinforcement Between Pins.

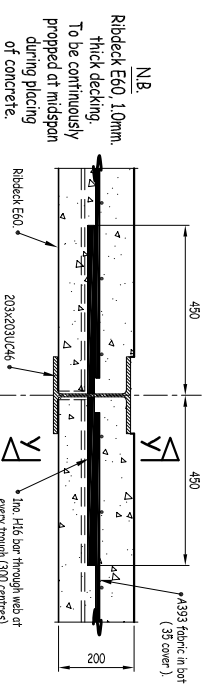
Important Note with Reference to the Fixing of Structural Mesh in Walls.
i.e. Mesh Prefixed with the letter 'B'
e.g. B1131 or B785 etc.

Reinforcement Note
Wall and Foundation reinforcement shall be continuous.
If loose bars are used to provide continuity then the ends of loose bars shall not be less than the ends of reinforcement specified.
Laps shall be not less than 45 times the lesser bar diameter.

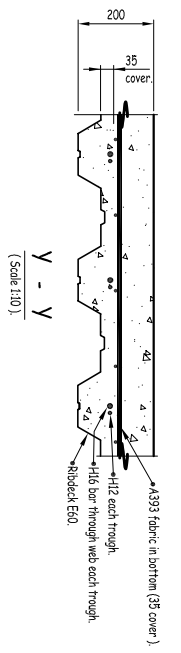
Tension Lap Lengths for Reinforcement
10mm, $\phi = 450\text{mm}$,
12mm, $\phi = 540\text{mm}$,
16mm, $\phi = 720\text{mm}$,
20mm, $\phi = 950\text{mm}$.



Plan Section on Typical Corner Showing Typical Reinforcement.



Typical Section Through 200 Ribdeck Slab at 203x203UC46 (Scale 1:10)



Y - Y (Scale 1:10)

- NOTES.**
1. This drawing retains the copyright of Vincent and Ryhill and is not to be copied, altered or changed without permission.
 2. All dimensions are in millimetres unless otherwise noted.
 3. Do not scale this drawing.
 4. For location of sections see drawing number 15001 / 01.

V & R VINCENT & RYHILL
Consulting Civil & Structural Engineers
Lakeside Country Club,
Wharf Road, Finley Green,
Camberley, Surrey, GU16 6PT
Telephone: 01252 834242
Fax: 01252 839889
info@vincentryhill.co.uk

14 Rosecroft Avenue,
London NW3 7QB.

Lower Ground Floor and Ground Floor
Sections - Sheet 1 of 2.

Job No	14RB03
Scale at A1	1:25 1:10
Date	Feb 2016
Job No	16B03
Draw No	02
Rev	P