

Spectra® HD Series IP Dome System

S5220 AND S5230 MODELS, HIGH DEFINITION PAN/TILT/ZOOM HIGH-SPEED DOME

Product Features

- Up to 1920 x 1080 Resolution
- 16:9 Aspect Ratio; 1080p at 30 Images per Second (ips)
- 2.0 Megapixel (MPx), 20X Optical Zoom or 30X Optical Zoom, 12X Digital Zoom, Wide Dynamic Range (WDR) Camera
- Ability to Control and Monitor Video Over IPv4 and IPv6 Networks
- Built-in Analytics Including AutoTracker and Adaptive Motion Detection
- 2 Simultaneous Video Stream: Dual H.264 or H.264 and Scalable MJPEG
- 360° Continuous Pan Rotation at 280° per Second
- Supported Protocols: TCP/IP, UDP/IP (Unicast, Multicast IGMP), UPnP, DNS, DHCP, RTP, RTSP, NTP, and More
- Power over Ethernet (PoE) IEEE 802.3af (For Non-Environmental Units Only)
- Electronic Image Stabilization (EIS) on the 30X S5230 only

Network Dome System

Pelco takes its industry-leading Spectra® Series dome into the world of high definition. **Spectra HD** delivers crystal-clear, live streaming images over the Internet using a standard Web browser (Microsoft® Internet Explorer® or Mozilla® Firefox®). With six times the resolution of standard definition domes, **Spectra HD** is an ideal solution to view details such as faces, license plates, tattoos, playing cards (in casinos), or other specific features.

Spectra HD supports High-Profile H.264 compression, a vast improvement in quality over MPEG-4 and 20 times more efficient than MJPEG. The dome system features open architecture connectivity for third-party software recording solutions allowing integration into virtually any IP-based HD system. It is also compatible with Digital Sentry® video management systems. As with all Pelco IP camera solutions, **Spectra HD** is Endura Enabled™ to record, manage, configure, and view multiple live streams. When connected to an Endura® HD network-based video security system, the dome system has access to EnduraStor™ and EnduraView™ for optimized image quality and bandwidth efficiency.

Spectra HD features the same ease of installation and ease of maintenance that you have come to expect from Spectra. Each dome system consists of a back box, a dome drive, and a lower dome.

Spectra HD includes a choice of five back box models: in-ceiling, environmental in-ceiling, pendant, environmental pendant, and stainless steel environmental pendant. All environmental models meet NEMA Type 4X, IP66 when properly installed.



- USB Expansion Slots for Pelco Alarm and Audio Accessories
- 16 Preset Tours, 256 Dome Presets, 32 Window Blanks
- Open IP Standards
- ONVIF Profile S Conformant

Built-In Analytics

Pelco Analytics enhance the flexibility and performance of Spectra HD. Nine Pelco behaviors are preloaded and included as standard features. Pelco behaviors can be configured and enabled using a standard Web browser, and they are compatible with Endura or a third-party system that supports alarms using Pelco's API.

Web Interface

Spectra HD uses a standard Web browser for powerful remote setup and administration.

Window Blanking

Window blanking is used to conceal user-defined privacy areas that cannot be viewed by an operator. **Spectra HD 1080** supports up to 32 blanked windows. A blanked area will appear on the screen as a solid gray window.

Video Systemization

Spectra HD easily connects to Pelco IP and hybrid systems such as Endura version 2.0 (or later) and Digital Sentry version 7.3 (or later). The camera is also compatible with Digital Sentry NVs (DS NVs), a full-featured video management software, which is available as a free download at www.pelco.com. DS NVs includes four free Pelco IP licenses and allows for the management of video from up to 64 cameras.

Spectra HD features open architecture connectivity to third-party software. Pelco offers an application programming interface (API) and software developer's kit (SDK) for interfacing with Pelco's IP cameras.



International Standards Organization Registered Firm; ISO 9001 Quality System



TECHNICAL SPECIFICATIONS

Electronic Image Stabilization (EIS)

(Applies to 30X models only.)

Electronic image stabilization (EIS) is a feature of the camera that can help compensate for some frequencies of vibration. In all cases, care should be taken to ensure that any dome system is mounted to a rigid location.

The default for EIS is OFF. The user can turn EIS ON if vibration is affecting image quality. Although EIS can reduce the impact of vibration on image quality, it cannot correct for all levels of vibration. Other measures should be taken to isolate the camera from the source of the vibration or to seek a more rigid mounting location.

PELCO ANALYTICS

Spectra HD Series includes nine user-configurable behaviors. The camera is capable of running up to three behaviors at the same time; although, the number of behaviors is limited to the available processing power of the camera and the type of analytic being used.

Note: Available processing power is determined by the settings for compression standards, resolution, image rate, bit rate, and analytic configuration.

For each behavior, you can create several custom profiles that contain different camera settings. With these profiles, you can set up different scenarios for the behavior, which will automatically detect and trigger alarms when specific activity is detected.

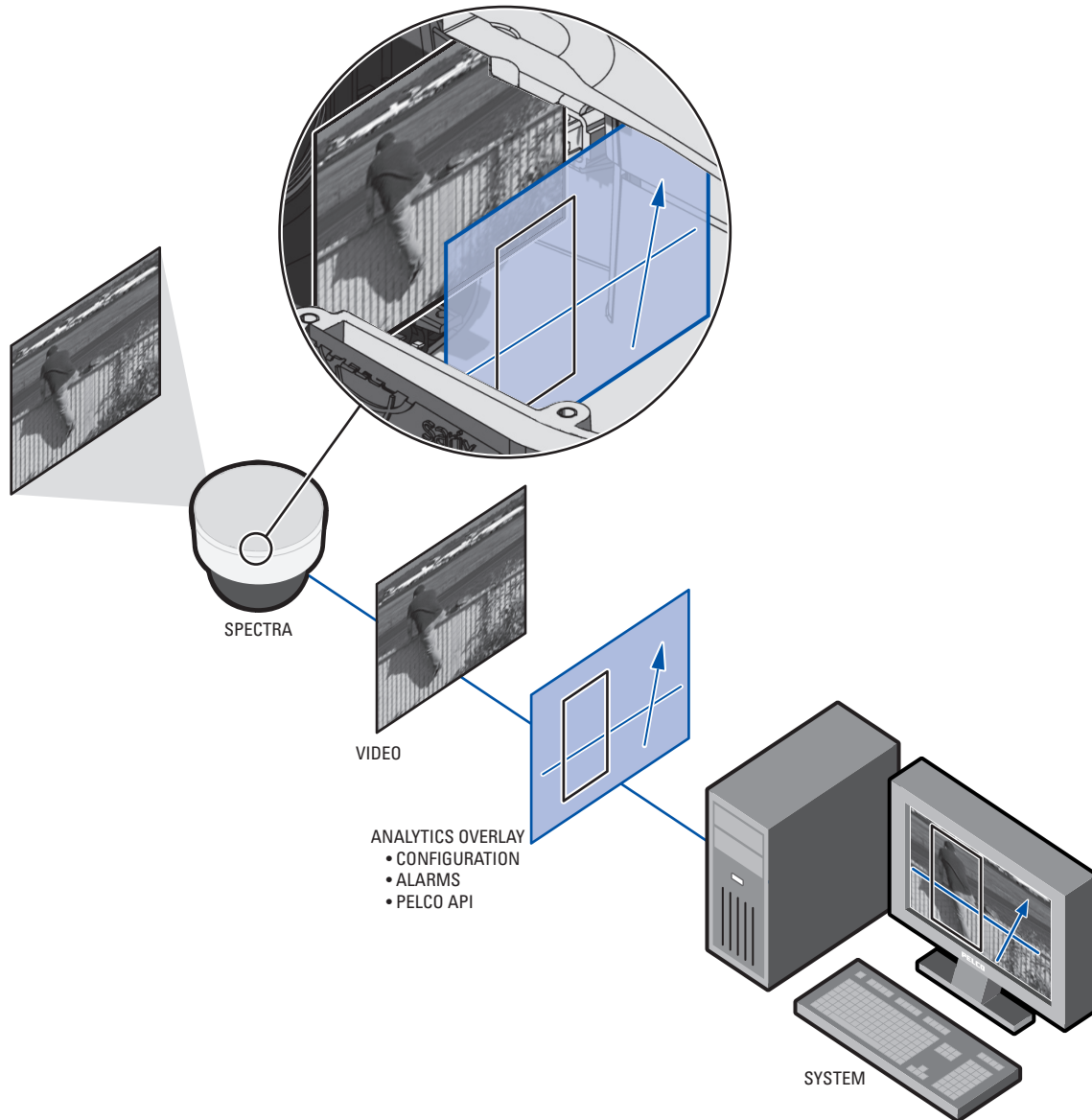
Pelco Analytics are configured and enabled using a standard Web browser, and Pelco behavior alarms are compatible with Endura or a third-party system that supports Pelco's API system.

Multiple Pelco behaviors can be scheduled to work during a certain time or condition. For example, during the day, a camera can be configured with Object Counting to count the number of people that enter a lobby door. At night, the operator can change the profile to Camera Sabotage to trigger an alarm if a camera is moved or obstructed. Available Pelco behaviors include:

- **Abandoned Object:** Detects objects placed within a defined zone and triggers an alarm if the object remains in the zone longer than the user-defined time allows. An airport terminal is a typical installation for this behavior. This behavior can also detect objects left behind at an ATM, signaling possible card skimming.
- **Adaptive Motion Detection:** Detects and tracks objects that enter a scene and then triggers an alarm when the objects enter a user-defined zone. This behavior is primarily used in outdoor environments with light traffic to reduce the number of false alarms caused by environmental changes.
- **AutoTracker:** Detects and tracks movement in the field of view. When the AutoTracker behavior is configured, the system automatically pans and tilts to follow the moving object until the object stops or disappears from the monitored area.
- **Camera Sabotage:** Detects contrast changes in the field of view. An alarm is triggered if the lens is obstructed by spray paint, a cloth, or a lens cap. Any unauthorized repositioning of the camera also triggers an alarm.
- **Directional Motion:** Generates an alarm in a high traffic area when a person or object moves in a specified direction. Typical installations for this behavior include an airport gate or tunnel where cameras can detect objects moving in the opposite direction of the normal flow of traffic or an individual entering through an exit door.
- **Loitering Detection:** Identifies when people or vehicles remain in a defined zone longer than the user-defined time allows. This behavior is effective in real-time notification of suspicious behavior around ATMs, stairwells, and school grounds.
- **Object Counting:** Counts the number of objects that enter a defined zone. This behavior can be used to count the number of people at a store entrance/exit or inside a store where the traffic is light. This behavior is based on tracking and does not count people in a crowded setting.
- **Object Removal:** Triggers an alarm if an object is removed from a user-defined zone. This behavior is ideal for customers who want to detect the removal of high value objects, such as a painting from a wall or a statue from a pedestal.
- **Stopped Vehicle:** Detects vehicles stopped near a sensitive area longer than the user-defined time allows. This behavior is ideal for airport curbside drop-offs, parking enforcement, suspicious parking, traffic lane breakdowns, and vehicles waiting at gates.

TECHNICAL SPECIFICATIONS

The following diagram illustrates how the camera system interprets streaming video when embedded analytics are configured and enabled.

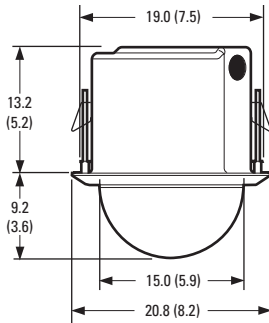


IMPORTANT NOTE: PLEASE READ. The network implementation is shown as a general representation only and is not intended to show a detailed network topology. Your actual network will differ, requiring changes or perhaps additional network equipment to accommodate the system as illustrated. Please contact your local Pelco representative to discuss your specific requirements.

TECHNICAL SPECIFICATIONS

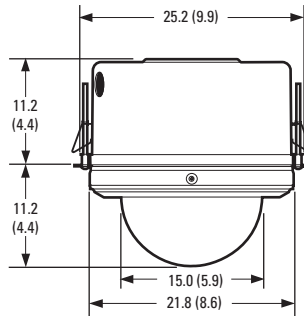
BACK BOX FEATURES

 NOTE: VALUES IN PARENTHESES ARE INCHES; ALL OTHERS ARE CENTIMETERS.



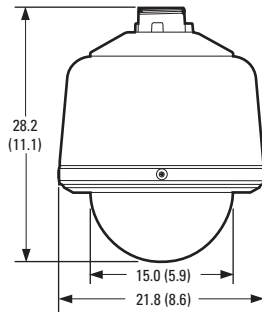
In-Ceiling (Indoor)

- Single Back Box for Suspended or Hard Ceiling Applications
- Requires 13.35 cm (5.25 in.) Space Above Ceiling and 8.25 cm (3.25 in.) Below
- Minimum Ceiling Thickness 1.27 cm (0.50 in.); Maximum 4.45 cm (1.75 in.)
- Quick Disconnect to Dome Drive
- Aluminum Construction
- Suitable for Use in Environmental Air Handling Spaces



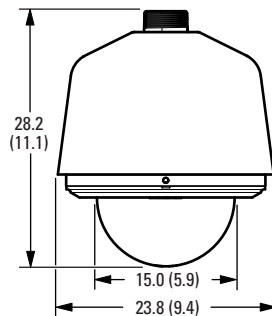
Environmental In-Ceiling

- Single Back Box for Hard Ceiling Applications
- Requires 11.18 cm (4.40 in.) Space Above Ceiling and 10.92 cm (4.30 in.) Below
- Includes Heater and Blower
- Minimum Ceiling Thickness 1.27 cm (0.50 in.); Maximum 4.45 cm (1.75 in.)
- Quick Disconnect to Dome Drive
- Aluminum Construction



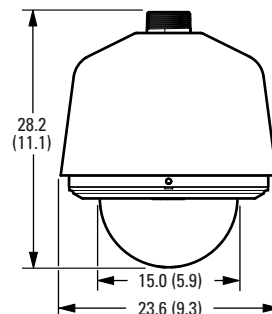
Standard Pendant

- Standard Pendant Available in Black or Gray Finish
- Aluminum Construction



Environmental Pendant

- Environmental Pendant Available in Gray Finish Only
- Aluminum Construction
- Includes Sun Shield, Heater, and Blower



Stainless Steel Environmental Pendant

- Stainless Steel Environmental Pendant Available in Gray Finish Only
- All Stainless Steel Construction
- Includes Sun Shield, Heater, and Blower

TECHNICAL SPECIFICATIONS

CAMERA/OPTICS

Specification	20X	30X
Sensor Type	1/2.8-inch Type Exmor CMOS Sensor	1/2.8-inch Type Exmor CMOS Sensor
Optical Zoom	20X	30X
Digital Zoom	12X	12X
Maximum Resolution	1920 x 1080	1920 x 1080
Lens	f/1.6 ~ f/3.5, focal length 4.7 mm (wide) ~ 94.0 mm (tele)	f/1.6 ~ f/4.7, focal length 4.3 mm (wide) ~ 129.0 mm (tele)
Horizontal Angle of View	55.4° (wide) ~ 2.9° (tele)	59.5° (wide) ~ 2.1° (tele)
Aspect Ratio	16:9	16:9
Light Sensitivity		
Color (33 ms)	0.65 lux	0.65 lux
Color (250 ms)	0.07 lux	0.07 lux
Mono (33 ms)	0.20 lux	0.20 lux
Mono (250 ms)	0.015 lux	0.015 lux
	Note: Sensitivity in lux for 90% reflectance, f/1.6 (wide angle), 28 dB gain at 30 IRE (30% of signal level) with Sensitivity Boost OFF; 4X improvement to sensitivity with Sensitivity Boost ON	Note: Sensitivity in lux for 90% reflectance, f/1.6 (wide angle), 28 dB gain at 30 IRE (30% of signal level) with Sensitivity Boost OFF; 4X improvement to sensitivity with Sensitivity Boost ON
Day/Night Capabilities	Yes	Yes
IR Cut Filter	Yes	Yes
Wide Dynamic Range	80 dB	80 dB
Iris Control	Auto iris with manual override	Auto iris with manual override
Backlight Compensation	Yes	Yes
Automatic Gain Control	Yes	Yes
Active Noise Filtering	Yes	Yes
Electronic Image Stabilization (EIS)	—	Yes

SOFTWARE FEATURES

- 256 Presets
- 16 Tours
- ±0.1° Preset Accuracy
- Multilingual Menus (English, Spanish, Portuguese, Italian, German, French, Russian, Turkish, Arabic, Chinese, and Korean).
- Password Protection
- 280°/sec Pan Preset Speed and 160°/sec Tilt Preset Speed
- 32 Window Blanks, Configurable in Size*
- "Auto Flip" Feature Rotates Dome 180° at Bottom of Tilt Travel
- Configurable Park with Actions
- Proportional Pan/Tilt Continually Decreases Pan/Tilt Speeds in Proportion to Depth of Zoom

*Using the maximum number of window blanks in a single view can affect camera performance and could interrupt certain camera functions.

TECHNICAL SPECIFICATIONS

VIDEO

Video Encoding	H.264 High, Main, or Base profiles and MJPEG
Video Streams	Up to 2 simultaneous streams; the second stream is variable based on the setup of the primary stream
Frame Rate	Up to 30, 25, 15, 12.5, 10, 8.333, 7.5, 6, 5, 3, 2.5, 2, 1 (depending on the coding, resolution, and stream configuration)

Available Resolutions	Resolution			H.264 High Profile (IP GOP structure)	
	MPx	Width	Height	Aspect Ratio	Recommended Bit Rate (Mbps)
	2.07	1920	1080	16:9	3.50
	0.92	1280	720	16:9	2.90
	0.36	800	448	16:9	1.80
	0.23	640	352	16:9	1.15
	0.13	480	272	16:9	0.75
	0.06	320	176	16:9	0.35

Supported Protocols	TCP/IP, UDP/IP (Unicast, Multicast IGMP), UPnP, DNS, DHCP, RTP, RTSP, NTP, IPv4, IPv6*, SNMP v2c/v3, QoS, HTTP, HTTPS, LDAP (client), SSH, SSL, SMTP, FTP, and 802.1x (EAP)
---------------------	---

Users

Unicast	Up to 20 simultaneous users depending on resolution settings (2 guaranteed streams)
---------	---

Multicast	Unlimited users H.264
-----------	-----------------------

Security Access	Password protected
-----------------	--------------------

Software Interface	Web browser view and setup
--------------------	----------------------------

Pelco System Integration	Endura 2.0 (or later) Digital Sentry 7.3 (or later)
--------------------------	--

Open API	Pelco API or ONVIF Profile S
----------	------------------------------

Minimum System Requirements

Processor	Intel® Core™ i3 Processor, 2.4 GHz
Operating System	Windows® 7 (32-bit and 64-bit) with DirectX® 11, Windows XP Service Pack 3 with DirectX 9.0c, or Mac® OS X 10.4 (or later)
Memory	4 GB RAM
Network Interface Card	100 megabits (or greater)
Monitor	Minimum of 1024 x 768 resolution, 16- or 32-bit pixel color resolution
Web Browser	Internet Explorer 8.0 (or later) or Firefox 3.5 (or later); Internet Explorer 8.0 (or later) is recommended for configuring analytics
Media Player†	Pelco Media Player† or QuickTime® 7.6.5 for Windows XP and Windows 7; or QuickTime 7.6.4 for Mac OS X 10.4 (or later)

*Supports mixed IPv4 and IPv6 installations, but not IPv6-only deployments.

†This product is not compatible with QuickTime version 7.6.4 for Windows XP or Windows Vista. If you have this version installed on your PC, you will need to upgrade to QuickTime version 7.6.5.

‡Pelco Media Player is recommended for control, smoothness, and reduced latency as compared to QuickTime.

TECHNICAL SPECIFICATIONS

ANALYTICS

Required Systems for Pelco Analytics

Pelco Interface	WS5200 Advanced System Management Software on an Endura 2.0 (or later) system
Open API	The Pelco API can transmit behavior alarm data to third-party applications, available at pdn.pelco.com

GENERAL

Construction

Back Box	Aluminum
Dome Drive	Aluminum, thermo plastic
Lower Dome	Acrylic

Stainless Steel Construction

Back Box	316 stainless steel; gray, polyurethane powder coated finish
Lower Dome	316 stainless steel; black, polyurethane powder coated finish
Bubble	Acrylic, clear or smoked

Light Attenuation

Smoked	f/0.5 light loss
Clear	f/0.0 light loss

Cable Entry (back box)

In-Ceiling	0.75-inch conduit fitting
Pendant	Through 1.5-inch NPT pendant mount

Weight (approximate)

Unit	Shipping	
In-Ceiling	2.1 kg (4.6 lb)	3.3 kg (7.3 lb)
Environmental In-Ceiling	2.4 kg (5.3 lb)	3.9 kg (8.6 lb)
Standard Pendant	2.9 kg (6.4 lb)	4.9 kg (11 lb)
Environmental Pendant	3.5 kg (7.7 lb)	5.5 kg (12 lb)
Stainless Steel (environmental pendant)	6.5 kg (14 lb)	8.6 kg (19 lb)

Installation Environment

In-Ceiling	Indoor/Environmental
Pendant	Indoor/Environmental

Operating Temperature

In-Ceiling	0° to 50°C (32° to 122°F)
Standard Pendant	(Assumes no wind chill factor)
Maximum	45°C (113°F) absolute maximum; 35°C (95°F) sustained maximum
Minimum	-4°C (25°F) sustained minimum
Environmental In-Ceiling/ Pendant	(Assumes no wind chill factor)
Maximum	60°C (140°F) absolute maximum; 50°C (122°F) sustained maximum
Minimum	-45°C (-50°F) sustained minimum; -51°C (-60°F) absolute minimum; prevents icing at sustained minimum of -30°C (-22°F); de-ices 2.5 mm (0.1 in.) within 3 hours after power-up at -30°C (-22°F) (no wind chill factor)

Operating Humidity

In-Ceiling (indoor), Standard Pendant	10 to 90% RH (noncondensing)
Environmental In-Ceiling, Environmental Pendant, Stainless Steel Environmental Pendant	10 to 100% RH (condensing)

Effective Projected Area (EPA)	20.5 square inches (without mount), 47 square inches (with IWM Series mount)
--------------------------------	---

MECHANICAL

(Dome Drive Only)

Variable Speed	0.1° to 280°
Preset Accuracy	±0.1°
Pan Movement	360° continuous pan rotation
Vertical Tilt	+1° to -90°
Manual Pan/Tilt Speeds	
Pan	0.1° to 80°/sec manual operation
Tilt	0.1° to 45°/sec manual operation
Preset Speeds	
Pan	280°/sec
Tilt	160°/sec
Rotating Discreet Liner	Sealed fixed bubble

ELECTRICAL

Ports	RJ-45 connector for 100Base-TX Auto MDI/MDI-X Autonegotiate/manual setting
Cabling Type	Cat5 or better for 100Base-TX
Input Voltage	18 to 32 VAC; 24 VAC nominal 22 to 27 VDC; 24 VDC nominal
Input Power	
24 VAC	23 VA nominal (without heater and blower); 73 VA nominal (with heater and blower)
24 VDC	0.7 A nominal (without heater and blower); 3 A nominal (with heater and blower)
PoE	IEEE802.3af (without heater and blower)

CERTIFICATIONS/RATINGS/PATENTS

- CE, Class A
- FCC, Class A
- UL/cUL Listed
- C-Tick
- KCC
- ONVIF Profile S
- Cisco® Medianet Media Services Proxy 2.0 compatible
- Environmental models, including stainless steel, were tested in accordance with:
 - IEC 60068-2-1
 - IEC 60068-2-2
 - IEC 60068-2-14
 - IEC 60068-2-30
 - IEC 60068-2-78
- Environmental pendants, including stainless steel, were tested in accordance with:
 - IEC 60068-2-6
 - IEC 60068-2-27
- Meets NEMA Type 4X and IP66 standards when installed properly (B52-F-E, B52-PG-E, and B52-PSG-E)
- U.S. Patents 5,931,432; 6,793,415 B2; 6,802,656 B2; 6,821,222 B2; 7,161,615 B2

TECHNICAL SPECIFICATIONS

SYSTEM MODEL NUMBERS

Type	Back Box Color	Lower Dome	Spectra HD, 2.0 MPx, 20X	Spectra HD, 2.0 MPx, 30X
In-ceiling, indoor	White with white trim ring	Smoked	S5220-FW0	S5230-FW0
		Clear	S5220-FW1	S5230-FW1
In-ceiling, environmental	Black with black trim ring	Smoked	S5220-YB0	S5230-YB0
		Clear	S5220-YB1	S5230-YB1
Pendant, standard	Gray	Smoked	S5220-PG0	S5230-PG0
		Clear	S5220-PG1	S5230-PG1
	Black	Smoked	S5220-PB0	S5230-PB0
		Clear	S5220-PB1	S5230-PB1
Pendant, environmental	Gray	Smoked	S5220-EG0	S5230-EG0
		Clear	S5220-EG1	S5230-EG1
Pendant, environmental, stainless steel	Gray	Smoked	S5220-ESG0	S5230-ESG0
		Clear	S5220-ESG1	S5230-ESG1

COMPONENT MODEL NUMBERS

Back Box		High Definition (HD) Lower Dome*		Dome Drive	
B52-F	In-ceiling	LDHDF-0	In-ceiling, smoked	D5220F	In-ceiling, 20X
B52-F-E	In-ceiling, environmental	LDHDF-1	In-ceiling, clear	D5220P	Pendant, 20X
B52-PG	Pendant, gray	LDHDPB-0	Pendant, smoked	D5230F	In-ceiling, 30X
B52-PB	Pendant, black	LDHDPB-1	Pendant, clear	D5230P	Pendant, 30X
B52-PG-E	Pendant, gray, environmental	LDHDSS-0	Pendant, smoked, stainless steel		
B52-PSG-E	Pendant, gray, environmental, stainless steel	LDHDSS-1	Pendant, clear, stainless steel		

*Use the pendant lower domes with the environmental in-ceiling and environmental pendant back boxes.

RECOMMENDED MOUNTS

In-Ceiling Domes

SD5-P	2' x 2' drop ceiling panel, aluminum construction; replaces 2' x 2' ceiling tile
SCA1	Support rails for B5-F; for use in ceiling tile applications

Pendant Domes

BB5-PCA-BK	Pendant conduit adapter, black
BB5-PCA-GY	Pendant conduit adapter, gray
IWM Series	Wall mount , with or without integral 24 VAC , 100 VA transformer; black or gray finish; can be adapted for corner, parapet or pole application
MRCA	Ceiling mount, black
PP4348	Parapet roof mount
PP350/PP351	Parapet wall/roof mount
SWM Series	Compact wall mount , black or gray finish; can be adapted for corner or pole applications
IDM4012SS	Stainless steel wall mount with feed-through capabilities

OPTIONAL ACCESSORIES

ALM-1	External alarm accessory
AUD-1	External audio accessory
MCS Series	Indoor, 24 VAC power supply
WCS Series	Outdoor, 24 VAC power supply
SECURE-SLA Licence	Enables Information Assurance compliant mode of operation

Refer to individual power supply specifications for more information.

Pelco by Schneider Electric

3500 Pelco Way, Clovis, California 93612-5699 United States
USA & Canada Tel (800) 289-9100 Fax (800) 289-9150
International Tel +1 (559) 292-1981 Fax +1 (559) 348-1120
www.pelco.com www.pelco.com/community

Pelco, the Pelco logo, and other trademarks associated with Pelco products referred to in this publication are trademarks of Pelco, Inc. or its affiliates. ONVIF and the ONVIF logo are trademarks of ONVIF Inc. All other product names and services are the property of their respective companies. Product specifications and availability are subject to change without notice. ©Copyright 2014, Pelco, Inc. All rights reserved.