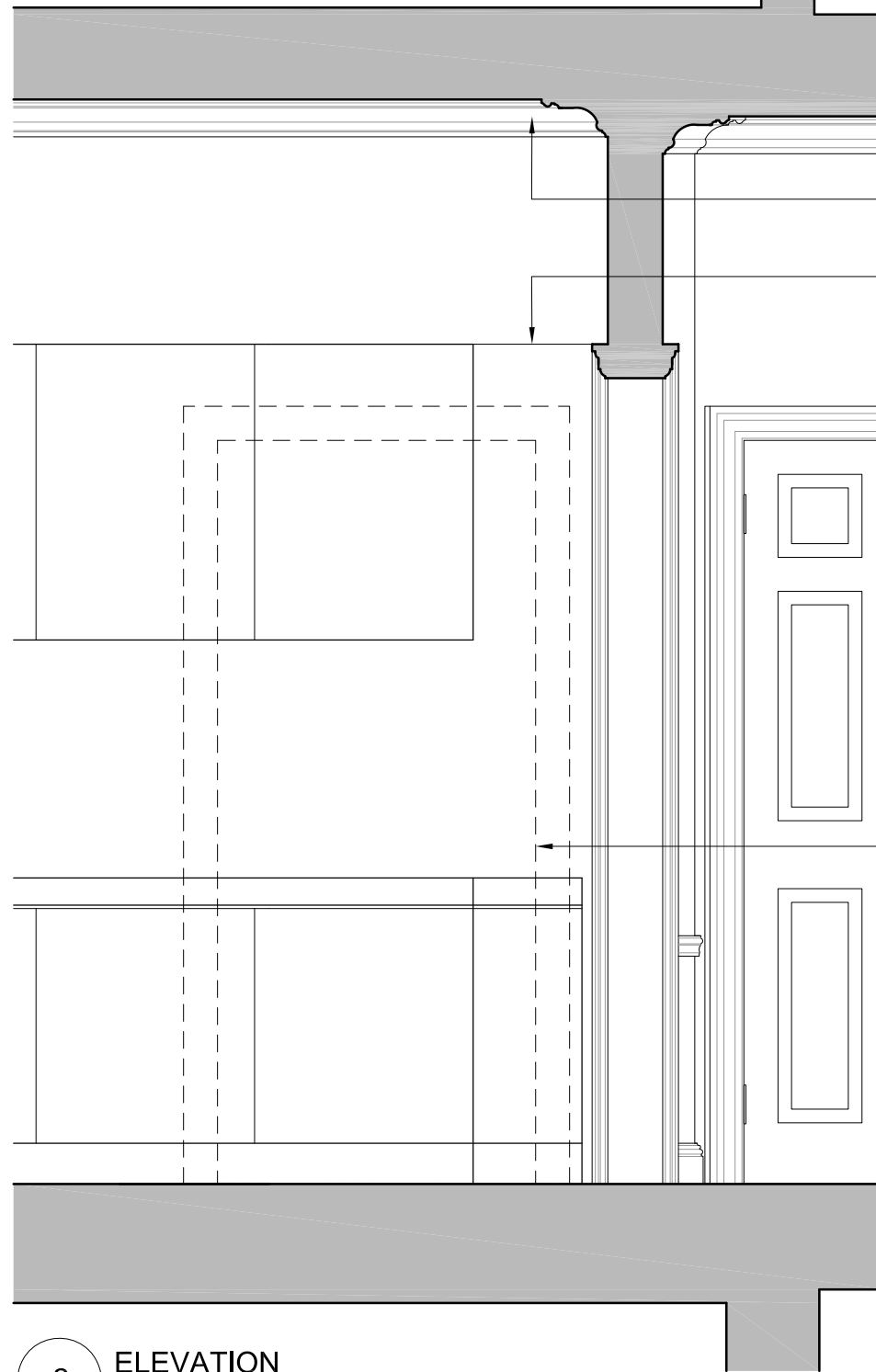
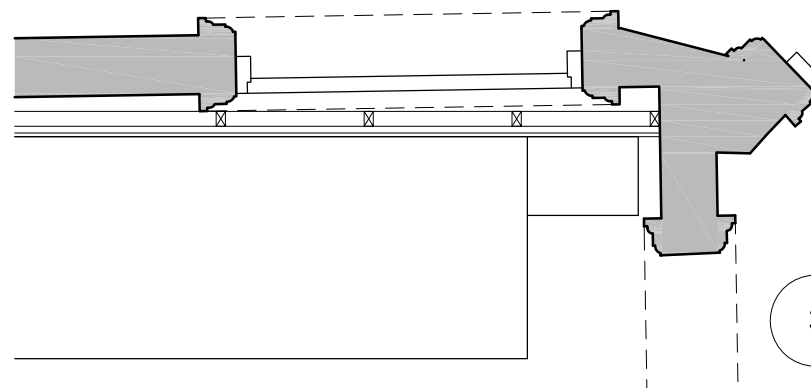


1 SECTION scale 1:20



2 ELEVATION scale 1:20



3 PLAN scale 1:20

NOTE  
DO NOT SCALE FROM THIS DRAWING, EXCEPT FOR TOWN PLANNING PURPOSES.  
THIS DRAWING IS THE PROPERTY OF TG STUDIO AND COPYRIGHT IS RESERVED BY THEM.  
THIS DRAWING IS ISSUED ON CONDITION THAT IT IS NOT REPRODUCED USED OR DISCLOSED BY  
OR TO ANY UNAUTHORIZED PERSON WITHOUT THE PRIOR CONSENT OF TG STUDIO.  
THE AREAS ON THIS DRAWING HAVE BEEN CALCULATED FROM A CAD DRAWING AND HAVE NO  
TOLERANCES ADDED OR SUBTRACTED.

REVISIONS - PLANNING SUBMISSION DATE 19.02.2016



STUDIO  
Architecture & Interior Design

10 RATHBONE PLACE, LONDON W1T 1HP T 020 7636 3838 F 020 7636 5659 WWW.TG-STUDIO.CO.UK

PROJECT 47 DOUGHTY STREET, LONDON WC1N 2LW

DRAWING PROPOSED KITCHEN DOOR CLADDING  
DETAIL

DATE 19.02.2016 DRAWN BY EG CHECKED BY TG

STATUS PLANNING SCALE @ A3 1:20

JOB NO. 163 DWG NO. A-343 REV -