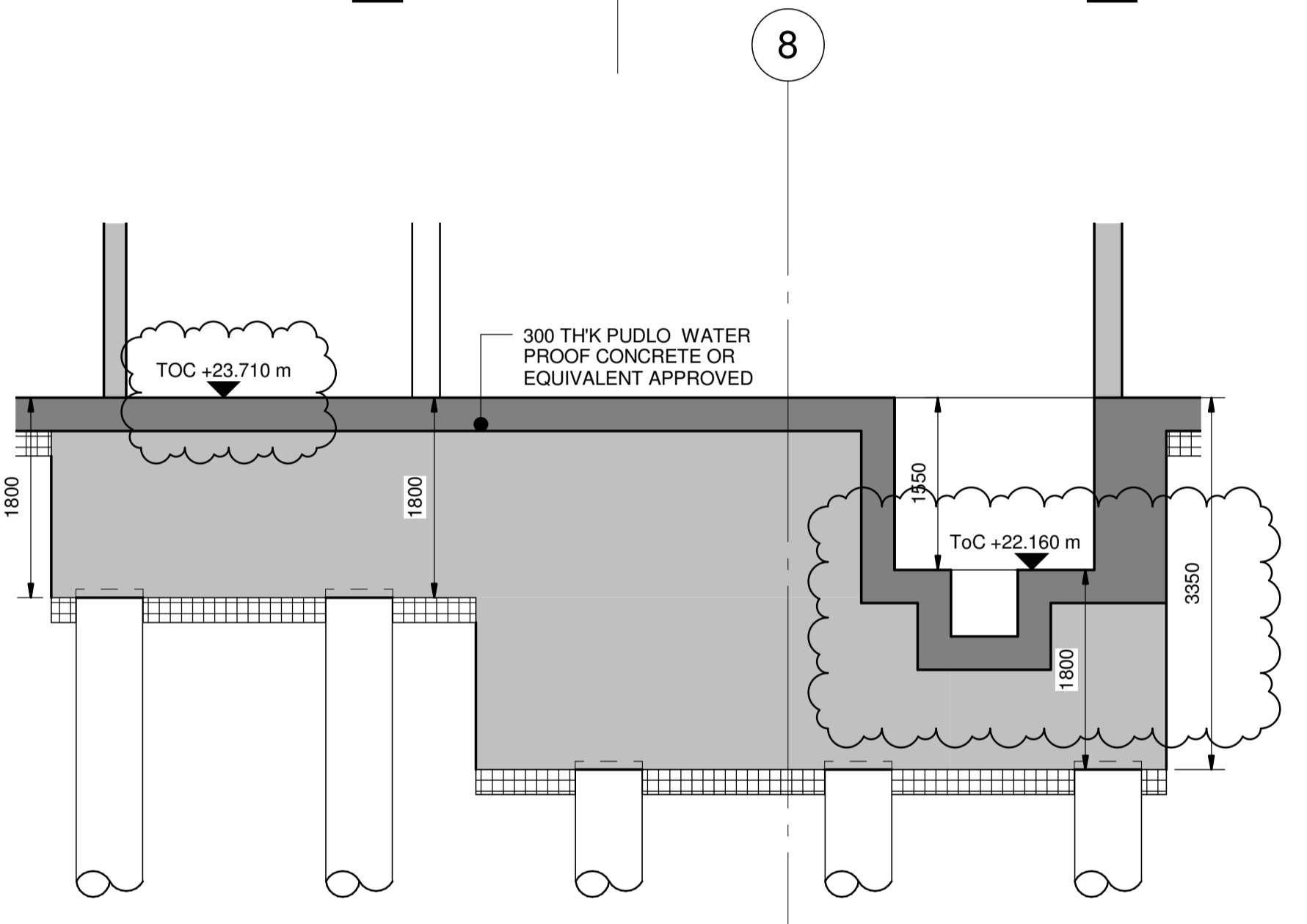
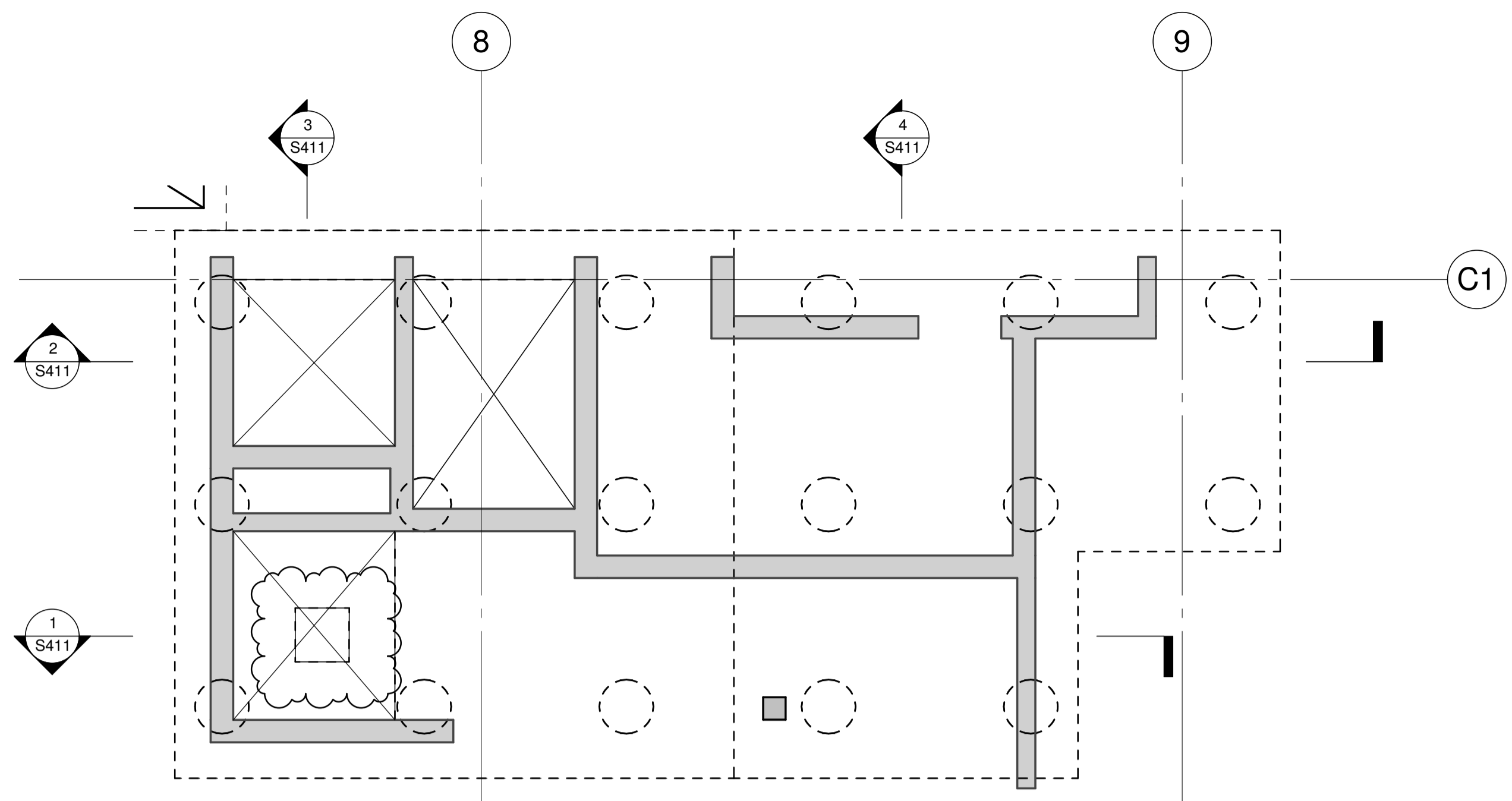
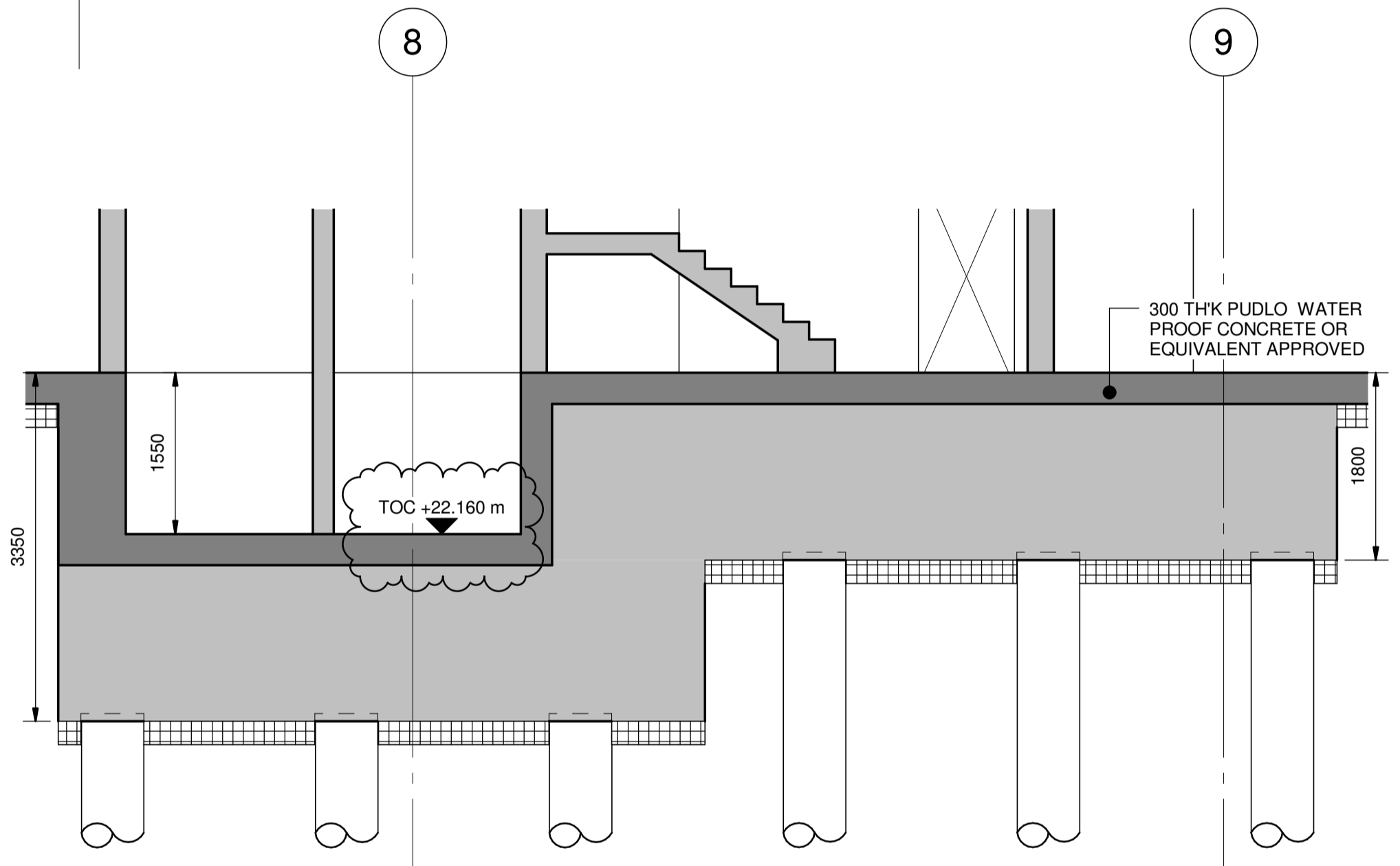


**NOTES**

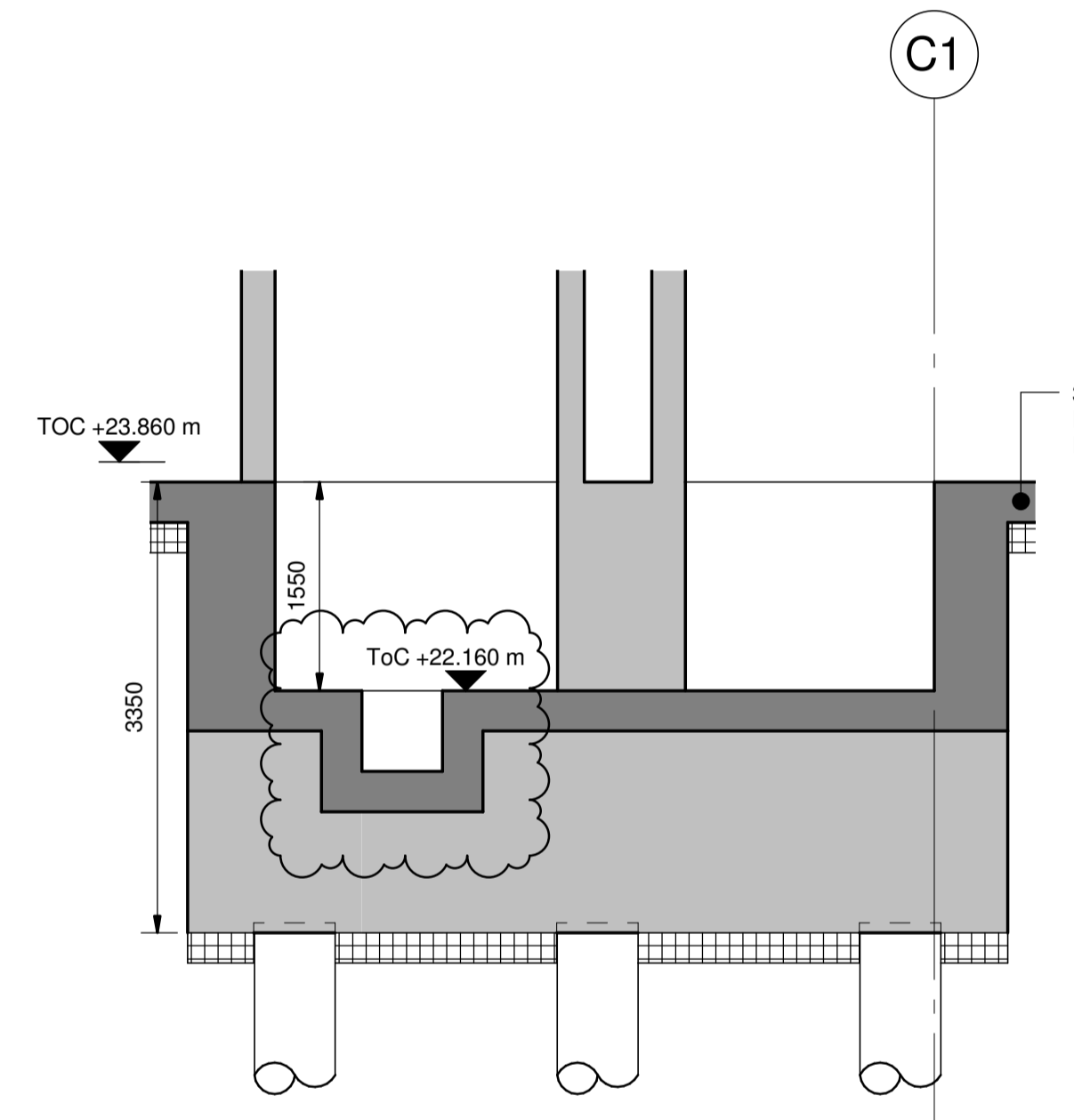
1. CONCRETE GRADE FOR FLOOR SLAB AND FOUNDATIONS TO BE C40
2. CONCRETE GRADE FOR ALL COLUMNS AND CORE WALLS TO BE C50
3. CONCRETE COVER:-  
 FOUNDATIONS - TOP 30mm  
                   - SIDES 50mm  
                   - BOT 75mm  
 FLOOR SLAB - TOP 30mm  
                   - BOT 50mm  
 CORE WALLS - 30mm  
 COLUMNS - 30mm
4. REINFORCEMENT :-  
 FOUNDATIONS - HIGH YIELD DEFORMED TYPE 2  
 FLOOR SLAB - HIGH YIELD DEFORMED TYPE 2  
 CORE WALLS - HIGH YIELD DEFORMED TYPE 2  
 COLUMNS - HIGH YIELD DEFORMED TYPE 2



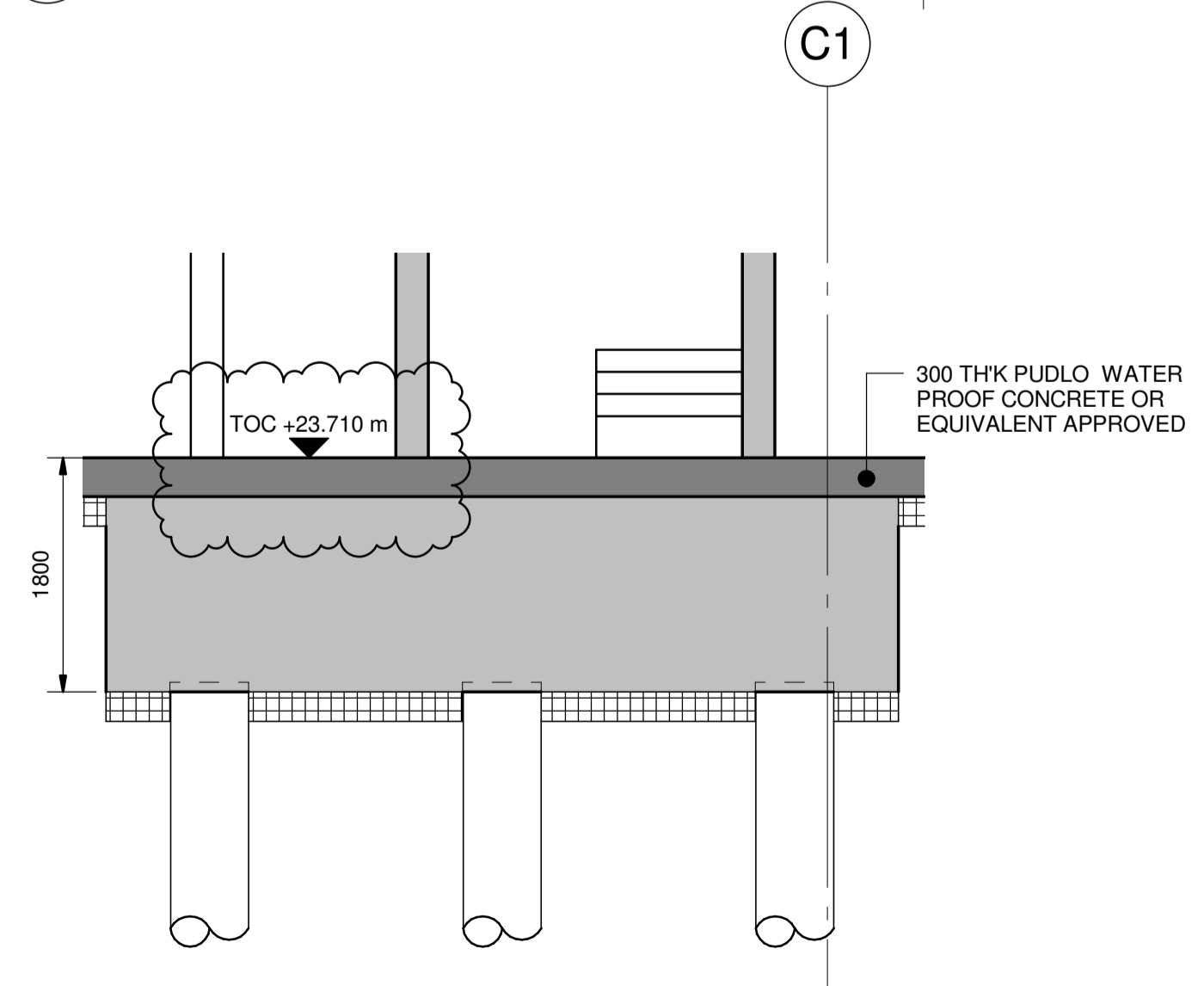
1 SECTION 01  
1 : 50



2 SECTION 02  
1 : 50



3 SECTION 03  
1 : 50



4 SECTION 04  
1 : 50

**NOT FOR CONSTRUCTION**

Rev	Date	Description	Drawn	Check
P2	12.10.15	ISSUED FOR ONGOING COORDINATION. UPDATED TO SUIT ARCHITECTS COMMENTS. STUB STACK LOCATIONS IN ABYANCE BASEMENT LEVELS UPDATED. PILING UPDATED TO SUIT JMP DESIGN	JTW	DR
P1	28.08.15	ISSUED FOR INFORMATION	JTW	TAE

**conisbee**  
 Consulting Structural Engineers  
 Consulting Civil Engineers

1-5 Offord St  
 London N1 1DH  
 Tel 020 7700 6666  
 Fax 020 7700 6686  
 design@conisbee.co.uk  
 www.conisbee.co.uk

Drawing Status	PRELIMINARY	Date	12-09-11
Scale	1 : 50	Drawn	J.WELSH
Project	102 CAMLEY STREET	Engineer	TAE
Project No	140674	Drawing No	S411
Title	CORE 1 PILECAP SETTING OUT & DETAILS	Revision	P2