

Information contained within this drawing is the sole copyright of HDCA Ltd, and is not to be reproduced without express permission. No implied licence exists. This drawing not to be used for land transfer or valuation purposes. Do not scale from this drawing. All dimensions & levels are to be checked on site by the contractor. Issued for purposes indicated only. Drawing errors and omissions to be reported to the architect.

Notes

Revisions

**HARPER  
DOWNIE**  
CREATIVE  
ARCHITECTURE

Gate House  
1 St John's Square  
London EC1M 4DH  
T +44 20 7490 7674  
studio@harperdownie.com  
www.harperdownie.com

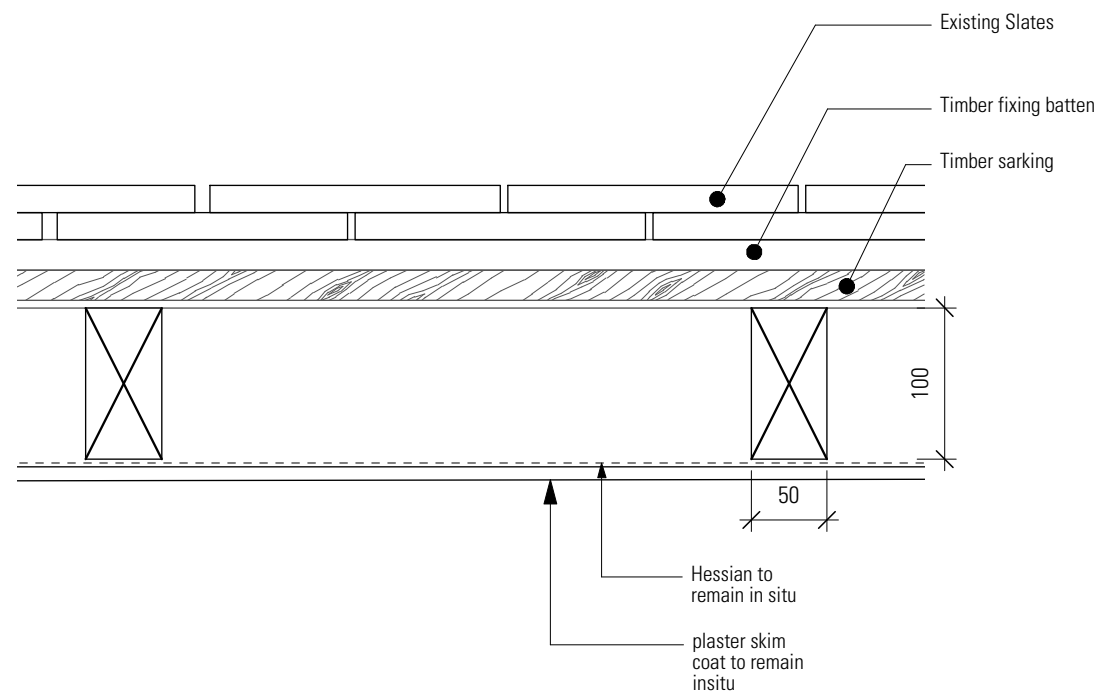
Client  
R. Keane + D. Timmer

Project  
Listed Building Consent  
5 Holly Terrace, Highgate, London N6 6LX

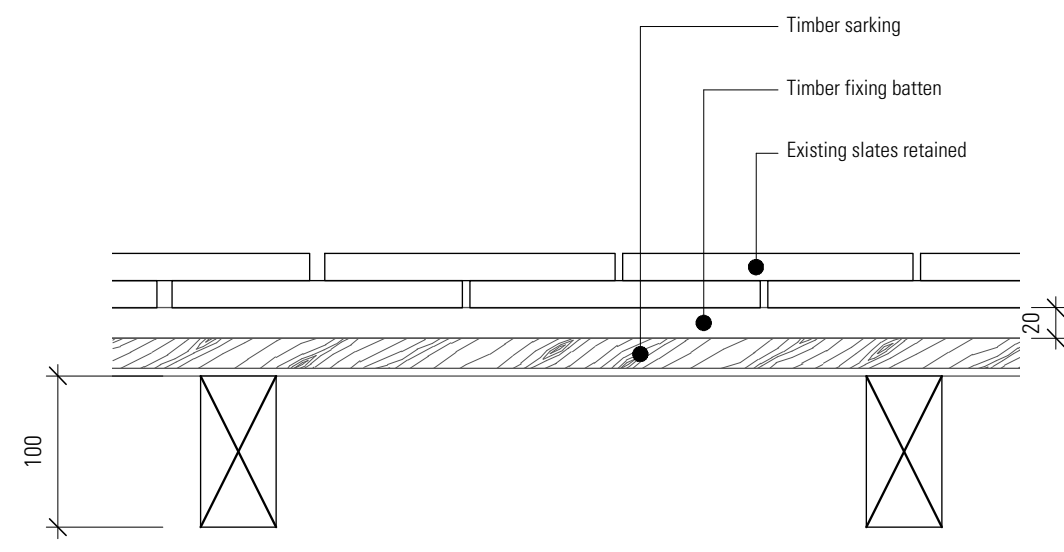
Drawing Title  
Proposed Roof Structure Details

Status	LBC	Drawn	CW	Checked	VC
Scale	1:5 @A3	Date	Feb 2016		

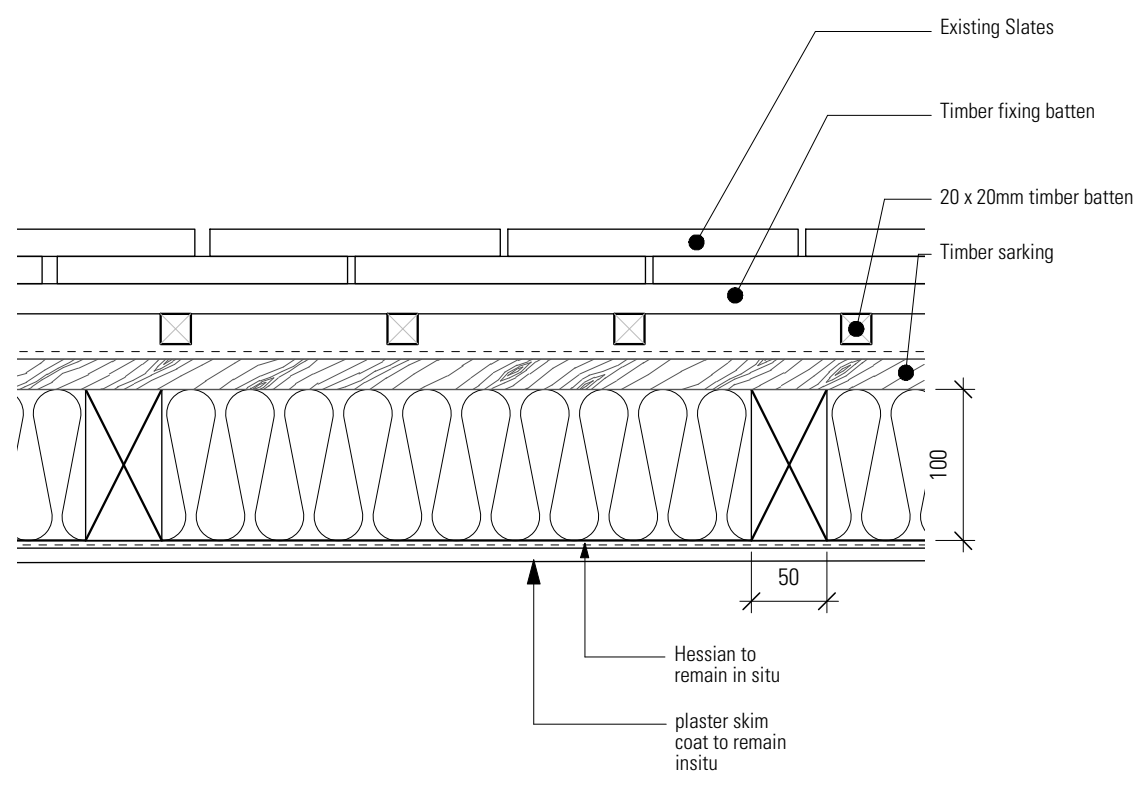
Drwg. No. & Revision  
**876-dR02-P1**



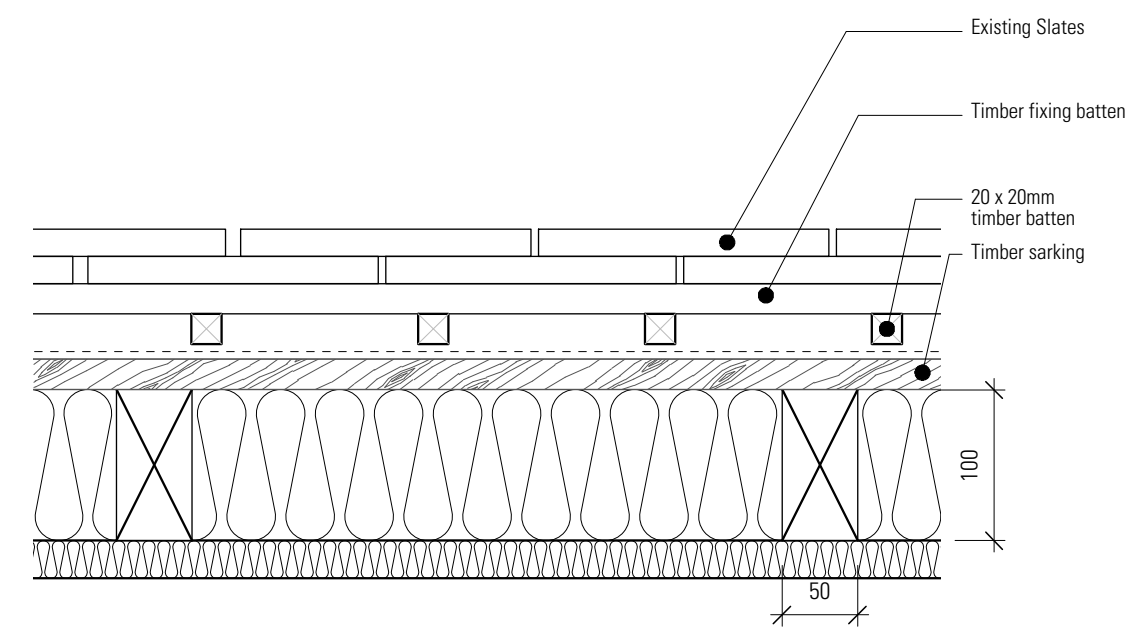
**A Existing Roof Insulation Detail - Internal Space**  
Scale 1:5 @A3



**B Existing Roof Insulation Detail - Roof Void**  
Scale 1:5 @A3



**C Proposed Roof Insulation Detail - Internal Space**  
Scale 1:5 @A3



**D Proposed Roof Insulation Detail - Roof Void**  
Scale 1:5 @A3

