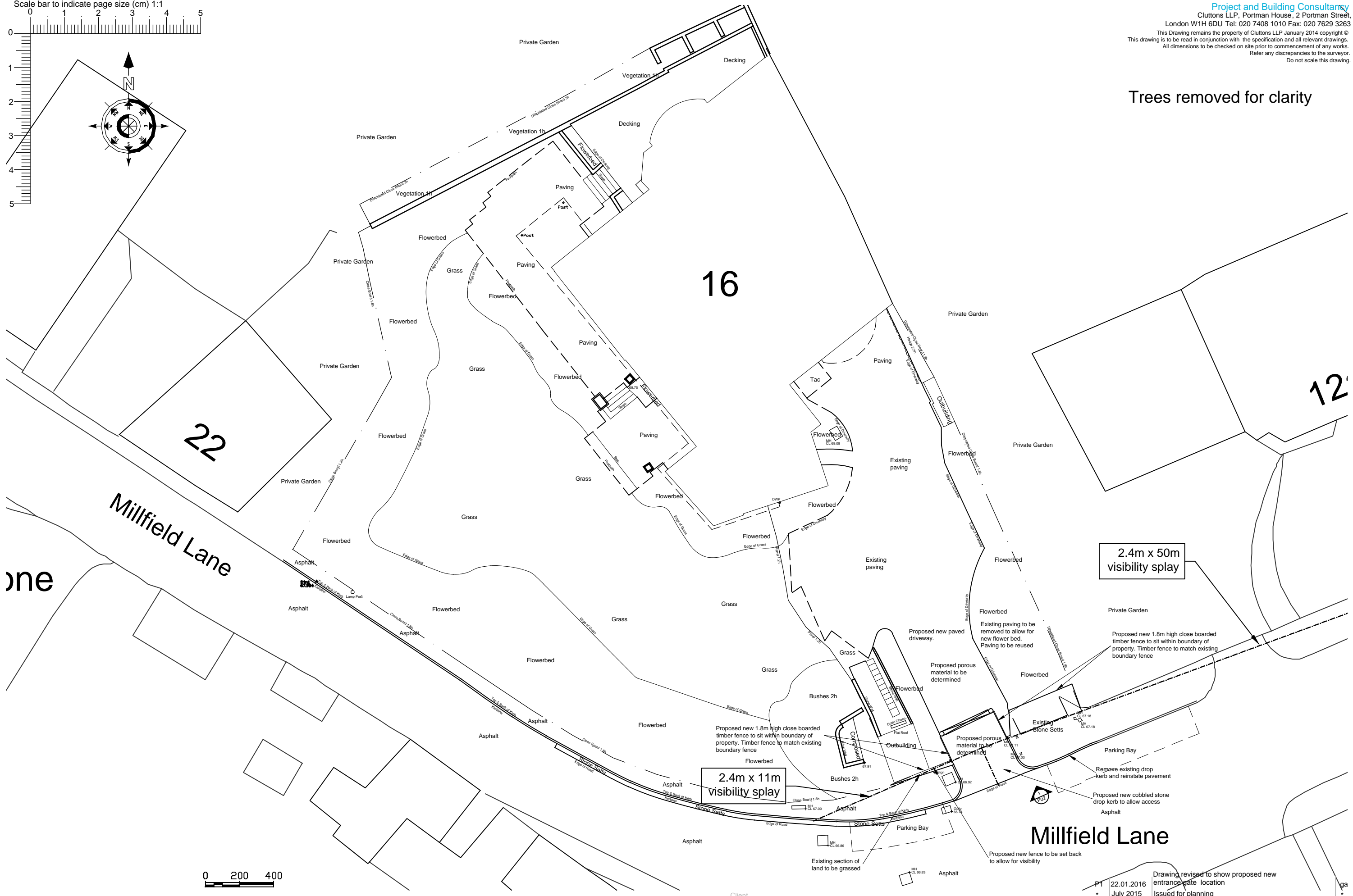
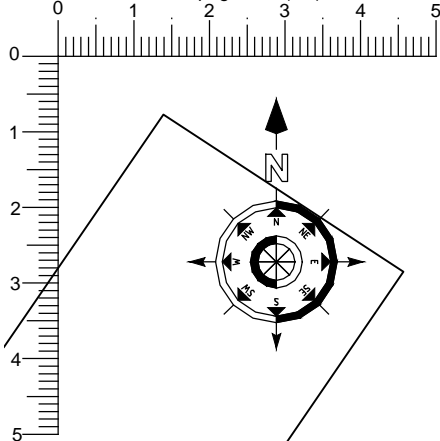


Scale bar to indicate page size (cm) 1:1



Trees removed for clarity

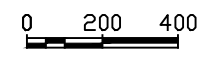
one

Millfield Lane

12'

16 Millfield Lane, Highgate, Camden

Millfield Lane



Client				
Rev	Date	By	Amendment	
P1	22.01.2016	ga	Drawing revised to show proposed new entrance gate location	
	July 2015		Issued for planning	



Title **Proposed Site Plan - Trees removed for Clarity**

Checked by - Drawn by **ga** Scale **1:200@A3**

Drawing No **24818/16MR/P/03** Rev **P1**

Date **July 2015** Drawing Status **Planning**