

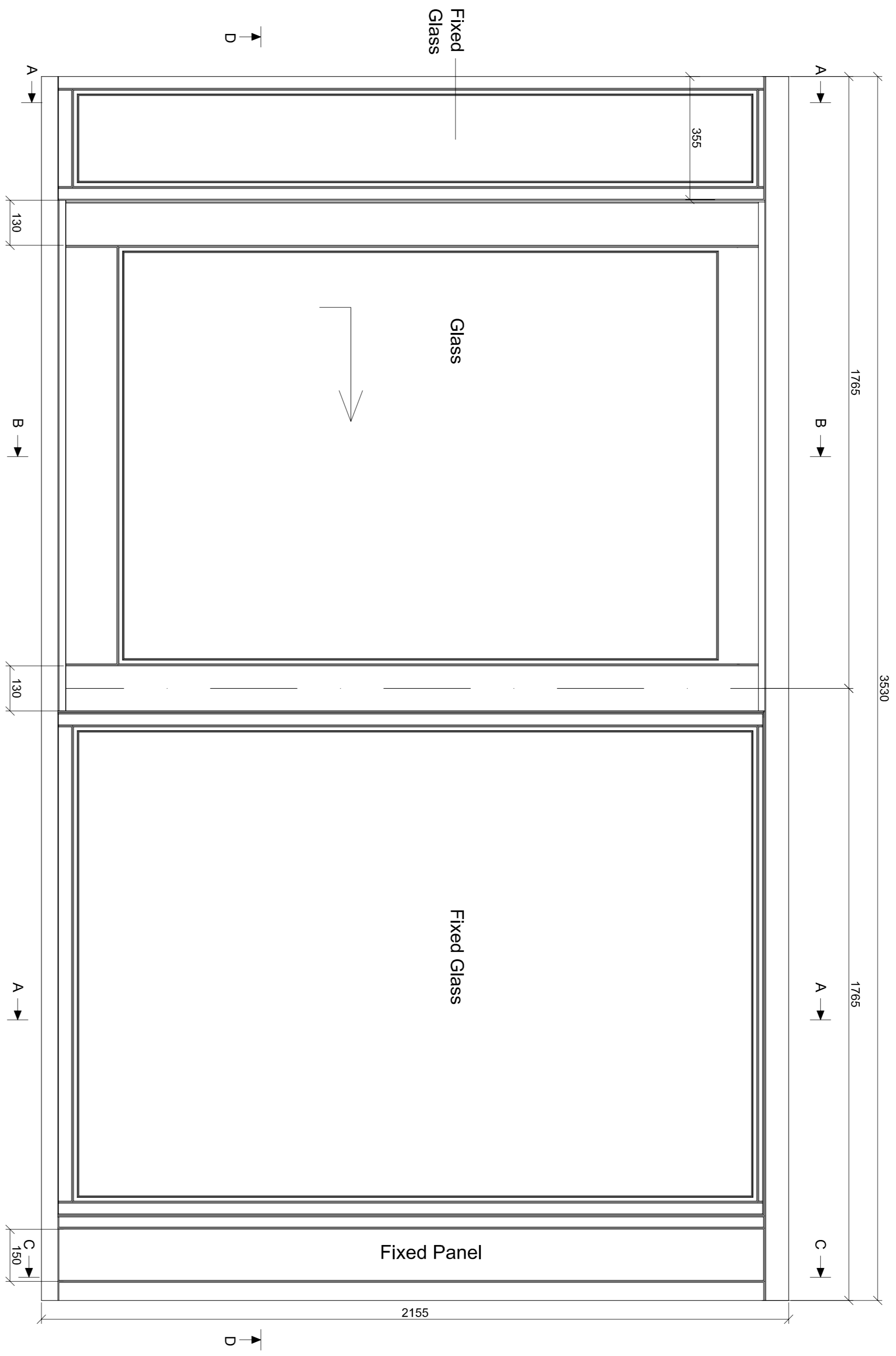
NOTE
 All 'Proposed' dimensions are for manufacturing purposes and therefore may differ slightly from the 'Existing' dimensions.



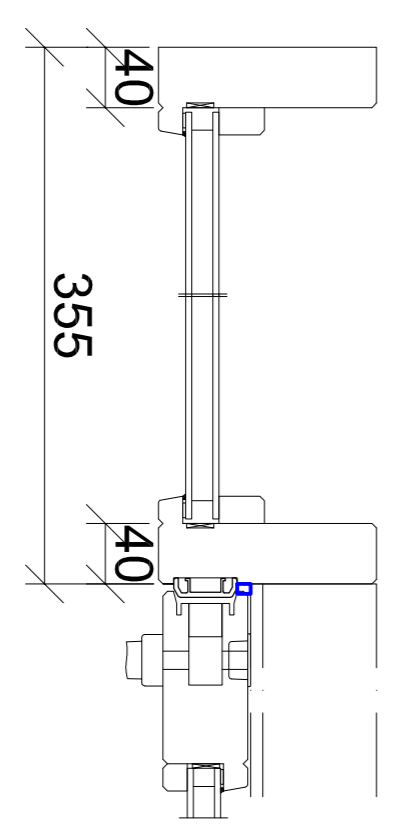
O - Lower Balcony Window



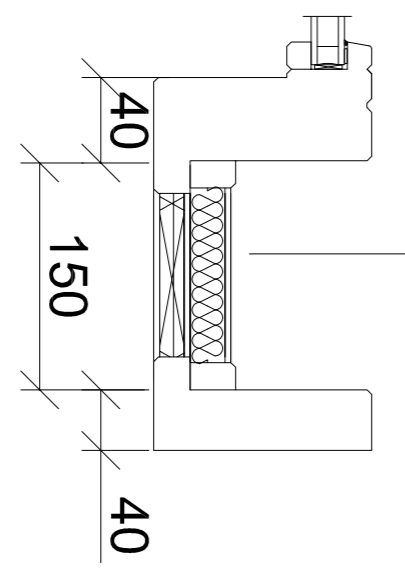
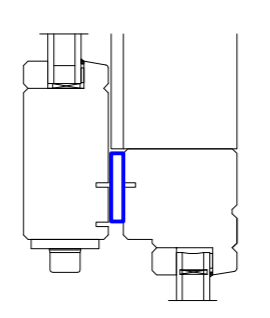
H - Front Bedroom Window



Proposed Type O - Rear Lower Balcony Sliding doors.
 scale 1:10

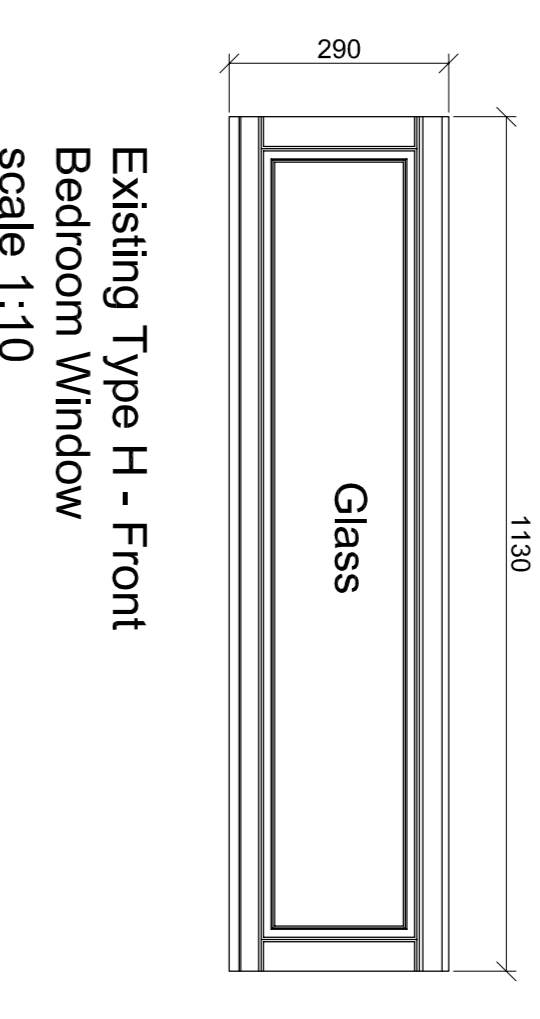
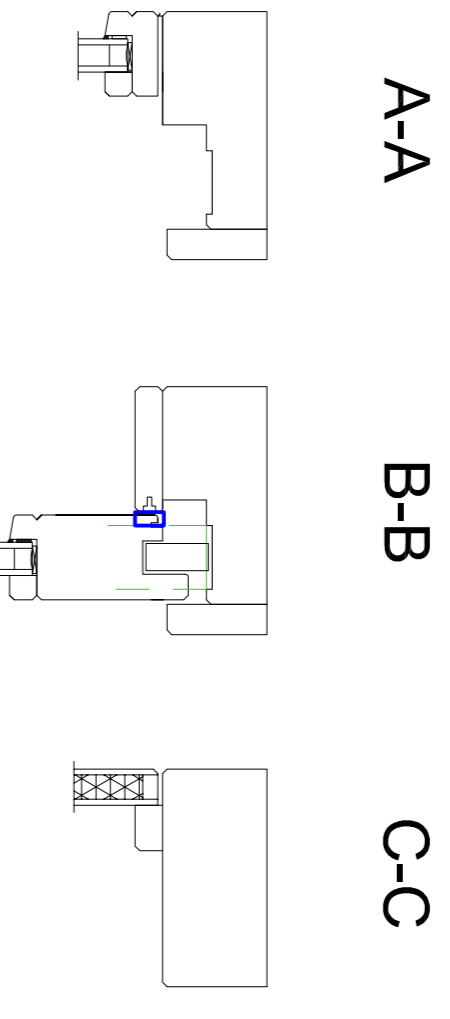


Proposed Jamb Details
 scale 1:5



Insulated panel behind fixed panel

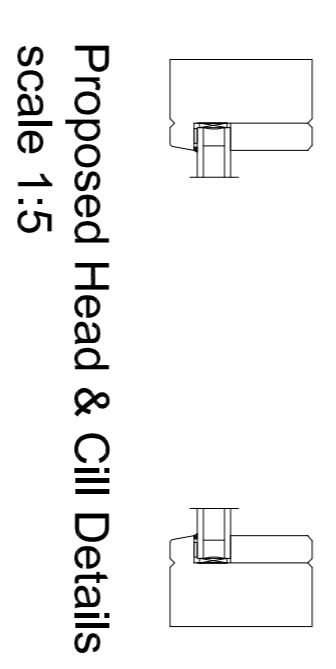
D-D



Proposed Head & Cill Details
 scale 1:5

Proposed Type H
 scale 1:10

Proposed Head & Cill Details
 scale 1:5



Proposed Head & Cill Details
 scale 1:5

Revisions:

REVISION	DATE	DESCRIPTION
Rev B		Amendments to manufacturers comments.
Rev A	08/12/2015	Right hand door and Slim Panel on right hand-side shown fixed.

The contractor is responsible to ensure that no products are to be installed that do not comply with the relevant British and/or European Standards and/or Codes of Practice, Current Regulations, and/or construction to the satisfaction of the architect and safety to the quality of the work or in accordance with good building practice.

The contractor is responsible for checking dimensions, materials, heights and finishes. The contractor is to be satisfied by the manufacturer that the product is suitable for the intended use and to be satisfied by the architect and safety to the quality of the work or in accordance with good building practice.

This drawing and the caption and panel details are the property of Bally Garner LLP and may not be used or reproduced without consent or attribution.

A1

CLIENT
 Keepmoat Regeneration (Apollo) Ltd

PROJECT
 Mansfield Road External Upgrades

ADDRESS
 Apollo Site Office
 Kiln Place
 Lambale Street, NW5 4AB

TITLE
 Proposed Window Type O & Existing & Proposed Types H
 Proposed Details

DATE
 30/11/15

SCALE
 1:10

DESIGNED BY
 PL 27

REVISION
 B

BALLY · GARNER

144-146 ELSHAM HILL
 LONDON SE8 5DY
 T: 020 8284 1000
 F: 020 8284 1008
 E: info@ballygarner.co.uk