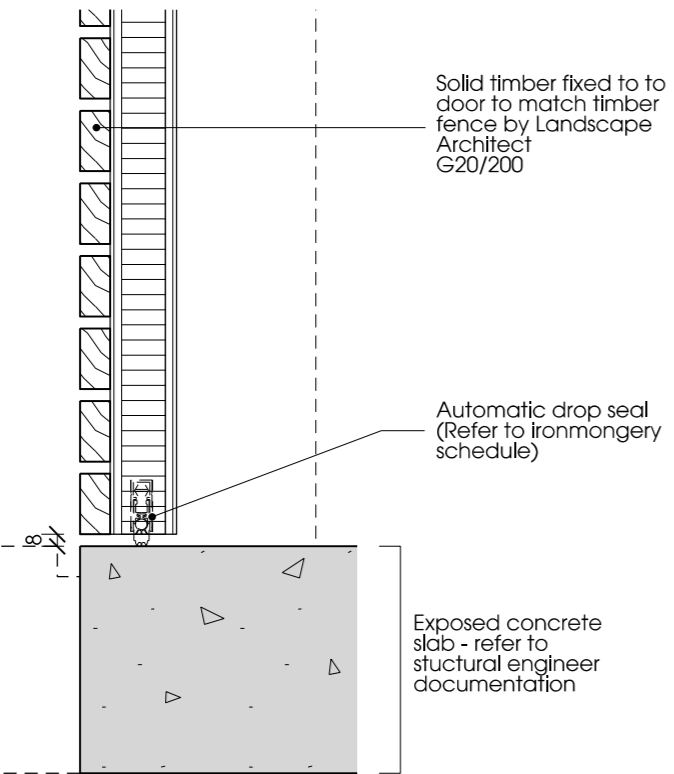
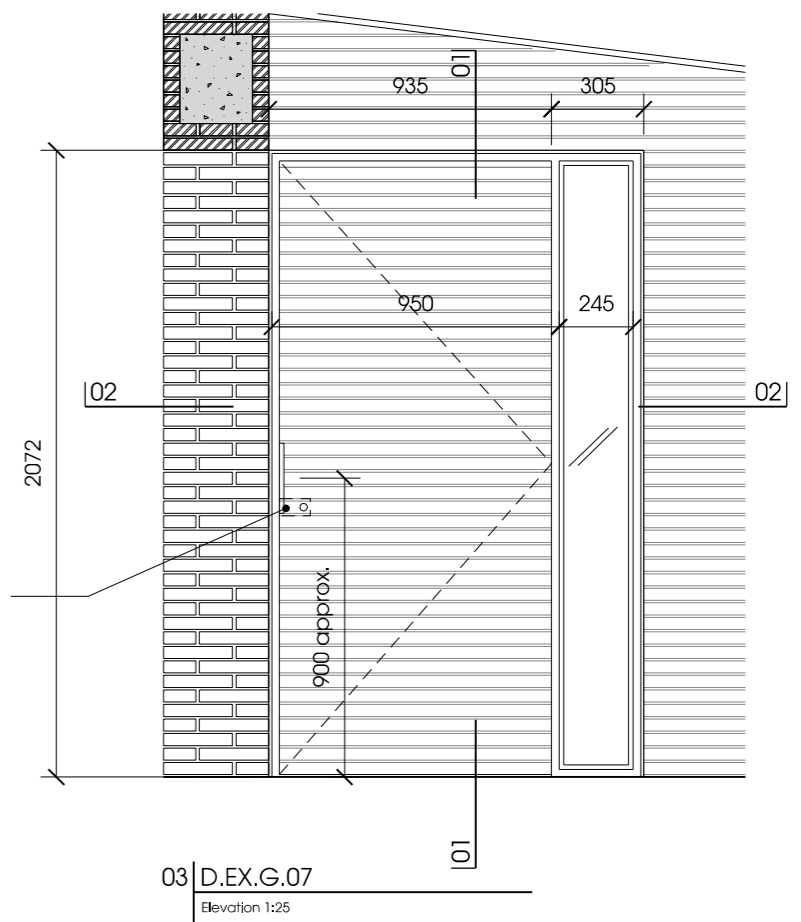
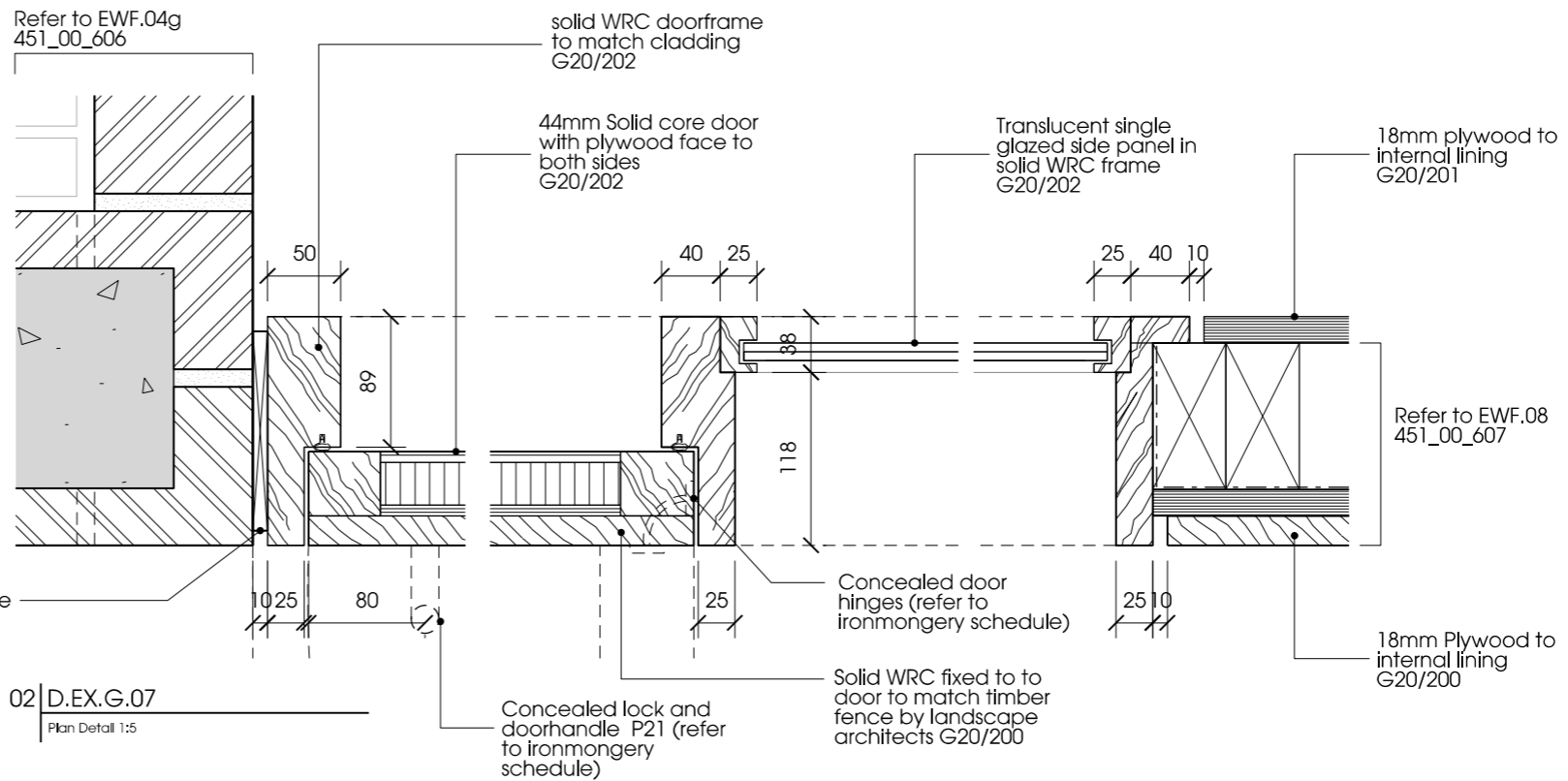


NOTE:  
All WRC timber frames to be treated with white stain as per landscape architect specification



01 | D.EX.G.07  
Section Detail 1:5



**Notes**

Contractor to check all dimensions on site. Do not scale from this drawing. Stanton Williams to be advised of any variation between the drawings and site conditions.

**Key:**

Revision	Date	Description
C1	08/07/2015	Issued for Construction

Stanton Williams  
36 Graham Street  
London N1 8GJ  
Phone +44 (0)20 7880 6400  
Email  
www.stantonwilliams.com

**Project**

Fleet House  
3 Admiral's Walk, Hampstead  
London NW3 6RS

**Drawing Title**

External Door Details  
D.EX.G.07

© Stanton Williams.  
All rights described in Chapter IV of the Copyright, Designers and Patents Act 1998 have been asserted.

To be read in conjunction with the specification and all relevant drawings.

STANTON  
WILLIAMS

Date	Scale @ A3	Status	Project No.	Drawing No.	Revision
08/07/2015	1:5	Construction	451	00_660	C1
Drawn	Checked	Approved			
LM	PT	PR			