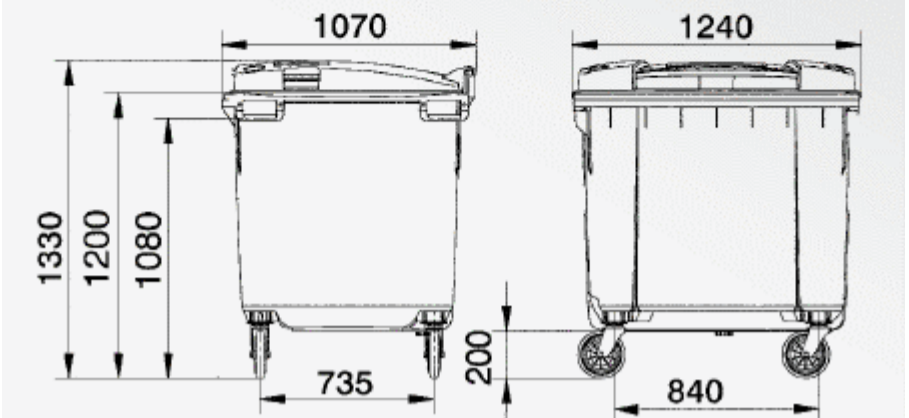


Dimensions - Weights - Standards

| | |
|---------------------------|---------------|
| ■ Nominal volume: | 1100 litres |
| ■ Net weight: | approx. 65 kg |
| ■ Max. load: | 440 kg |
| ■ Permitted total weight: | 510 kg |

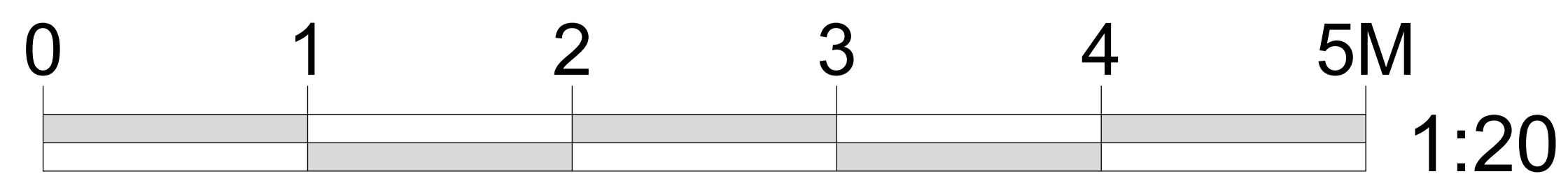
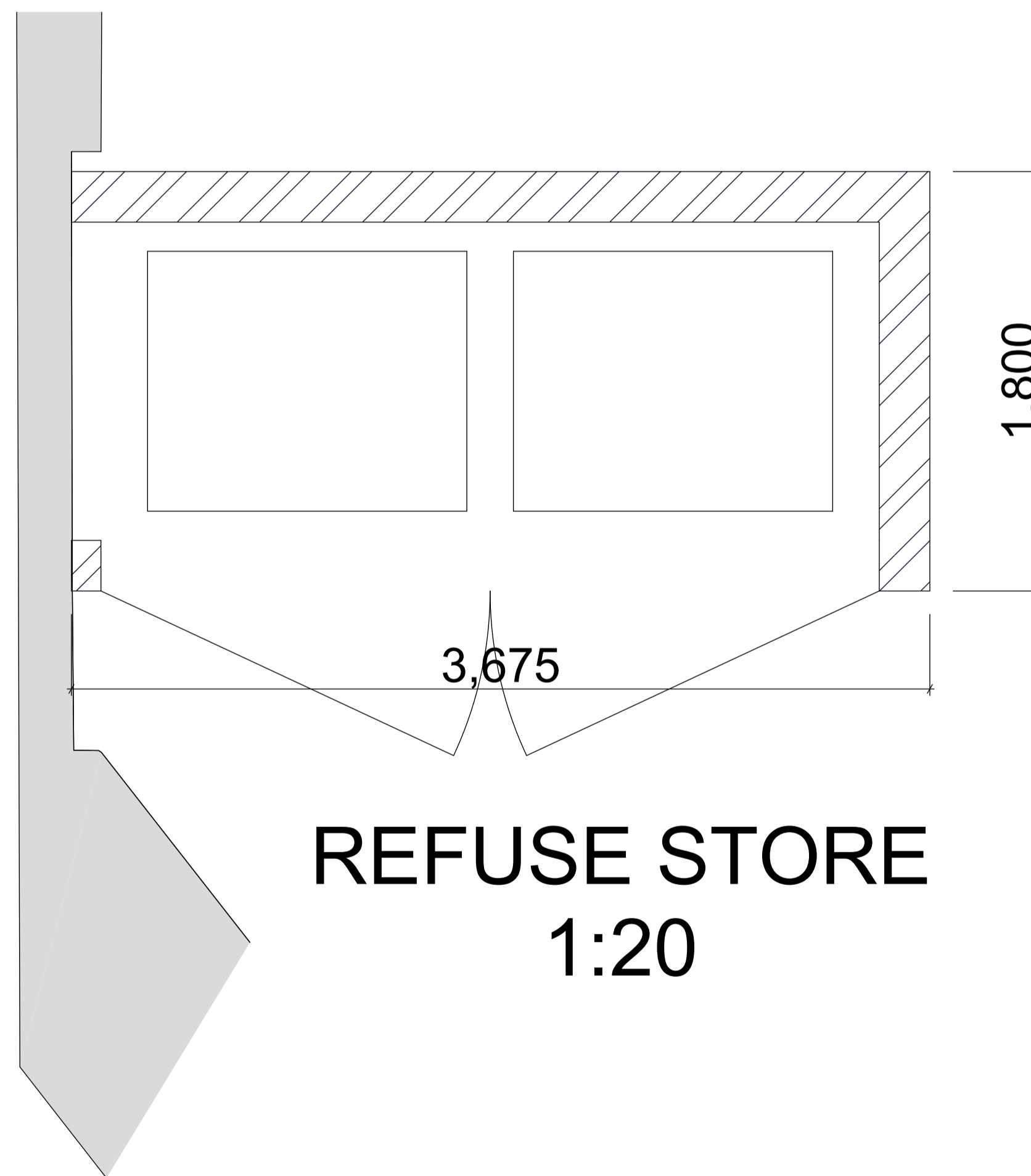
Measurements to be used as a guide only - variations will occur



1100 LITRE SPECIFICATION

MATERIALS

| | |
|---------|--------------|
| PLINTH | STONE |
| FRAME | OAK |
| SIDING | OAK BOARDING |
| JOINERY | OAK |
| RAFTERS | SHAPED OAK |
| ROOF | GRP TRAY |
| | SEDUM INFILL |
| | OAK TRIM |



PLANNING



SHAUN KNIGHT ARCHITECTURE

40 FALCON ROAD, HAMPTON
 TW12 2RA
 07824 815 258M
 0208 287 0596T
 E:skarchitecture@hotmail.co.uk
 W:shaunknightarchitecture.com

PROJECT: 36 LANCASTER GROVE

TITLE : REFUSE STORE

Date: DECEMBER 2015

Scale: 1:20 AT A1 Drawn: SDK

DRAWING NUMBER: 071