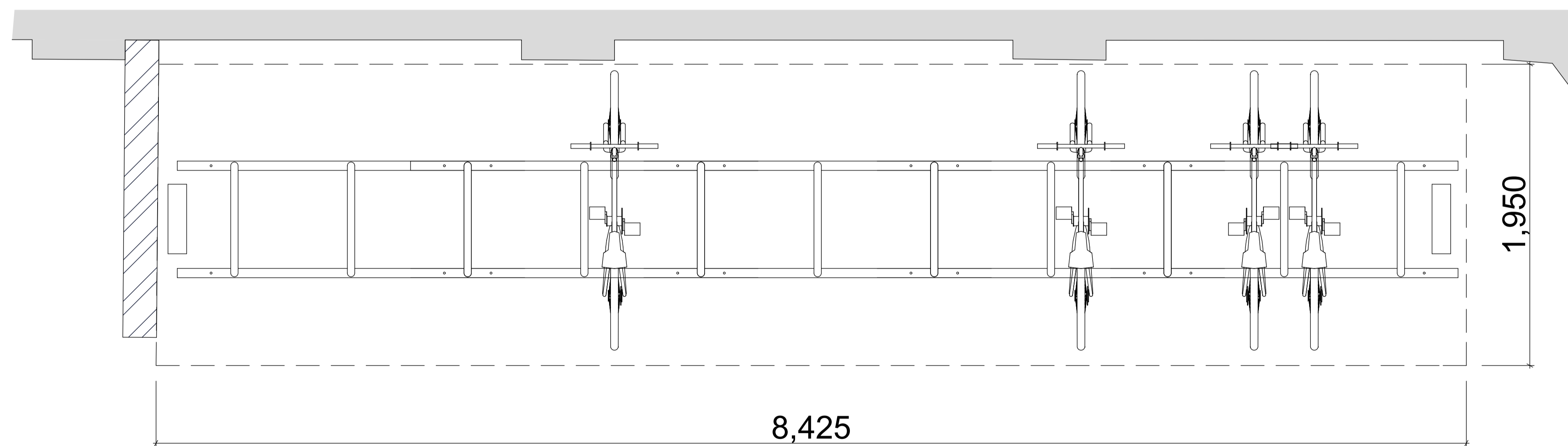


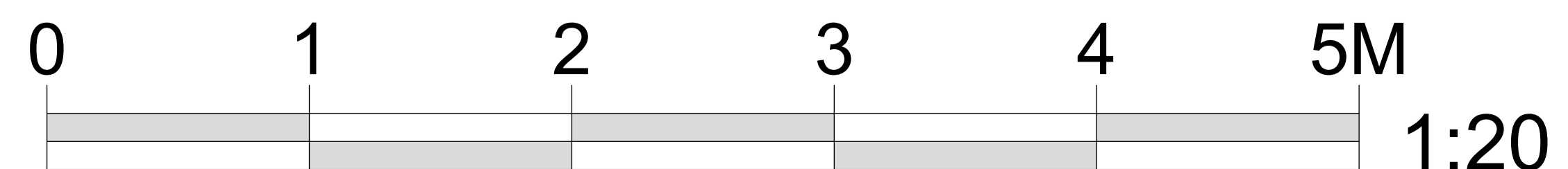


CYCLE STORAGE UNIT (10 CYCLE UNIT SHOWN)



**22 COVERED CYCLE STANDS**

Height: 2194mm (h-front) 1513 (h-rear)



PLANNING



SHAUN KNIGHT  
ARCHITECTURE

40 FALCON ROAD, HAMPTON  
TW12 2RA  
07824 815 258M  
0208 287 0596T  
E:skarchitecture@hotmail.co.uk  
W:shaunknightarchitecture.com

PROJECT: 36 LANCASTER  
GROVE

TITLE : CYCLE  
STORAGE

Date: DECEMBER 2015

Scale: 1:20 AT A1 Drawn: SDK

DRAWING NUMBER: 070