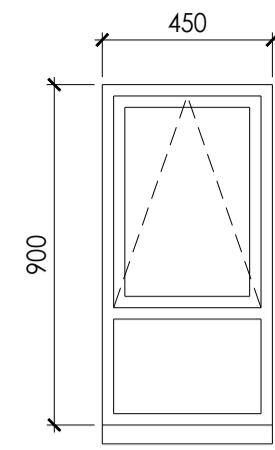
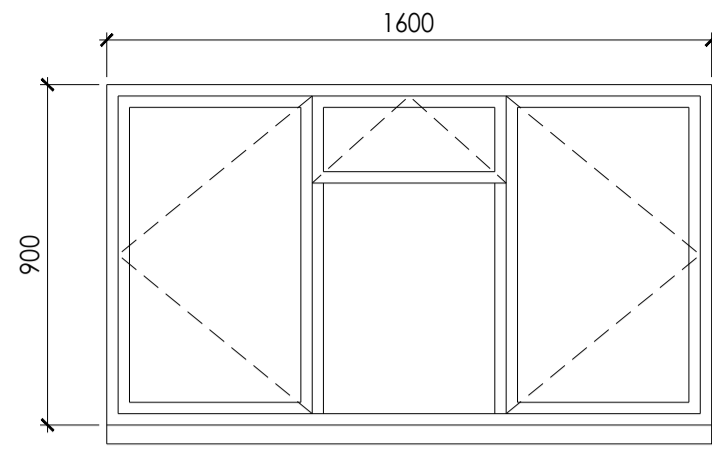


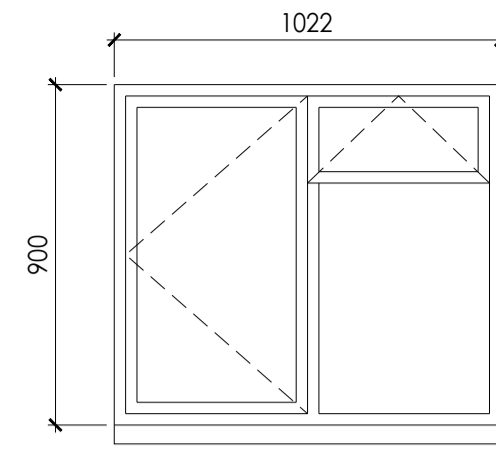
TYPE B
PVC TOP HUNG
WB.03 WB.04 WB.09
WB.14 WB.16



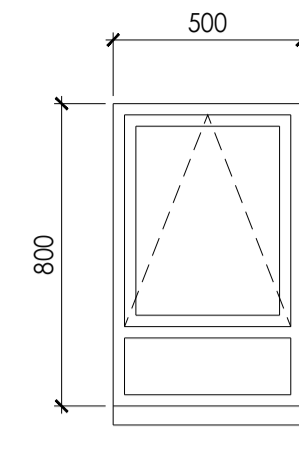
TYPE C
PVC TOP HUNG
WB.04 WB.07
WB.10 WB.17



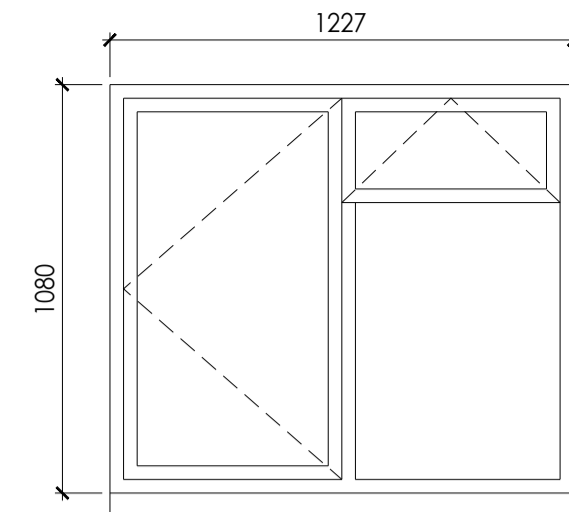
TYPE D
PVC TOP HUNG & CASEMENT
WB.05 WB.08 WB.11 WB.18



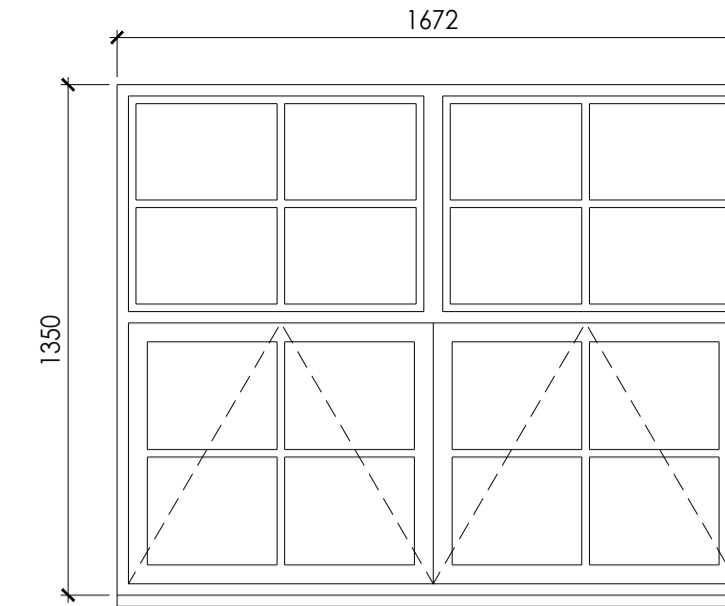
TYPE E
PVC TOP HUNG & CASEMENT
WB.12 WB.20 WB.24 WB.26
WB.28



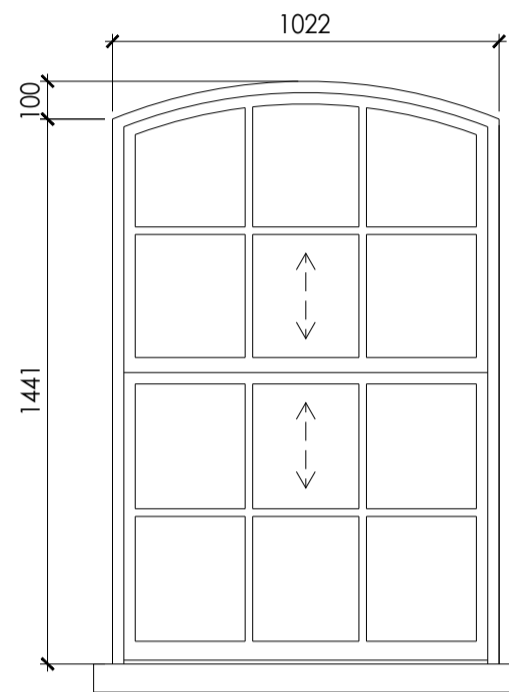
TYPE F
PVC TOP HUNG
WB.13



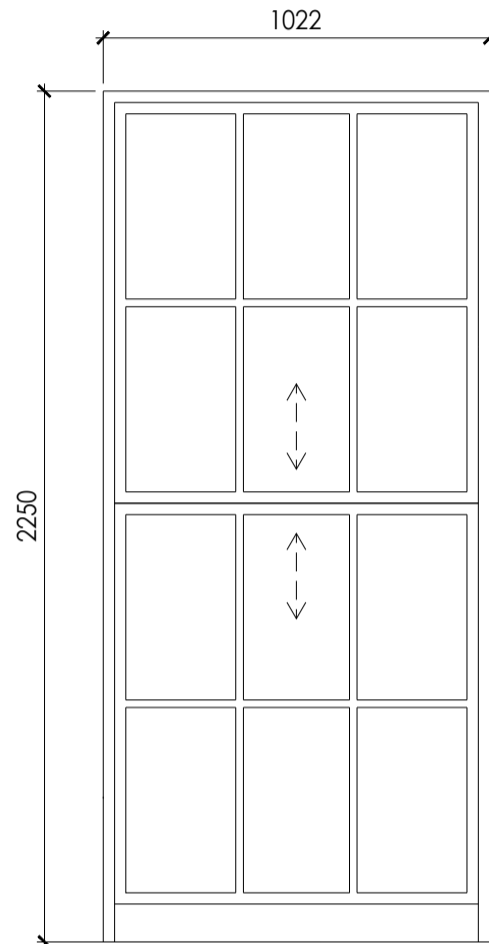
TYPE G
PVC TOP HUNG & CASEMENT
WB.15



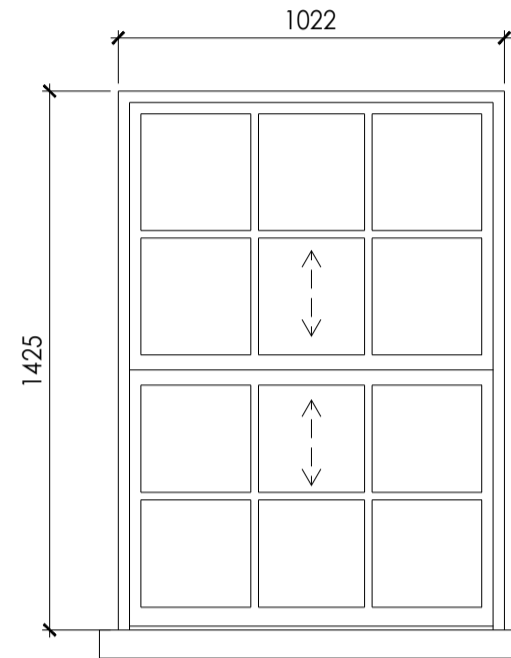
TYPE H
PVC TOP HUNG
WG.01 WG.02



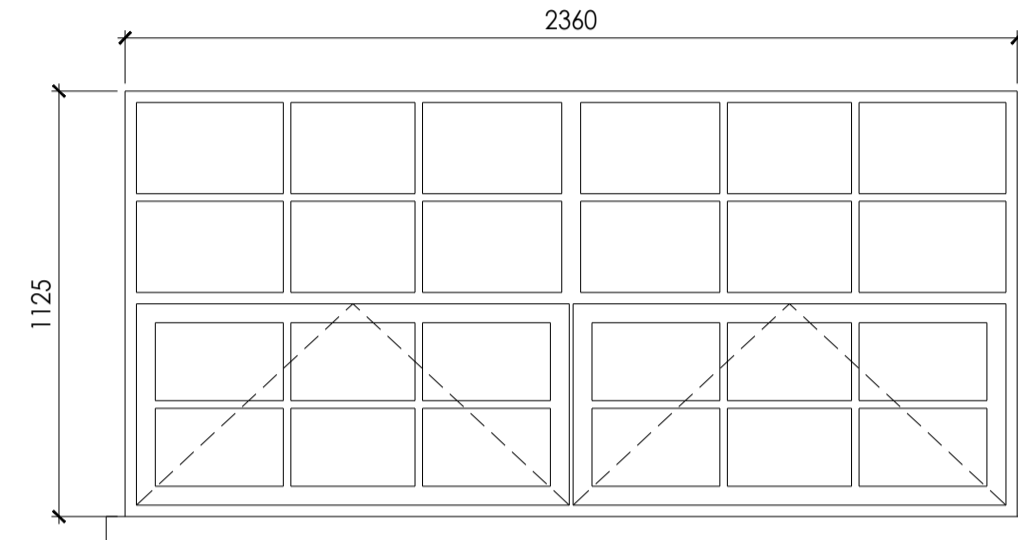
TYPE J
HERITAGE SLIM PVC SLIDING SASH
WG.04 WG.05 WG.06 WG.07
WG.08 WG.09 WG.10 WG.11
WG.12 WG.13 WG.14 WG.15



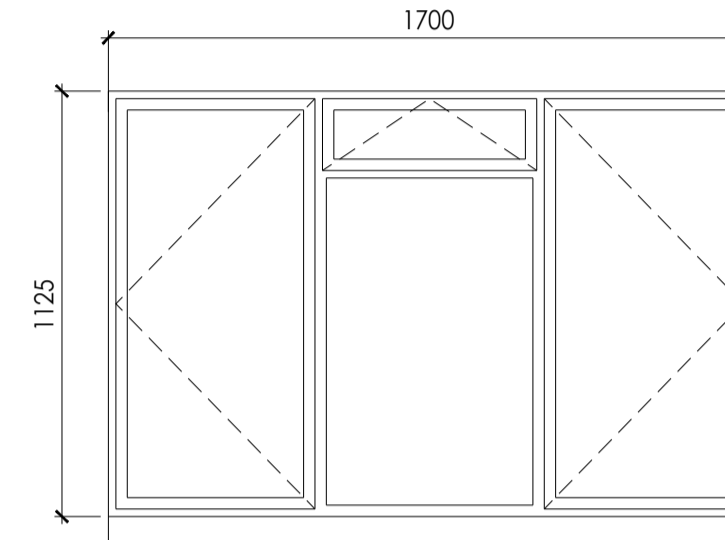
TYPE K
HERITAGE SLIM PVC SLIDING SASH
WF.01 WF.02 WF.03 WF.04
WF.05 WF.06 WF.07 WF.08
WF.09 WF.10 WF.11 WF.12
WF.13 WF.14 WF.15 WF.16
WF.17 WF.18 WF.19 WF.20
WF.21 WF.22



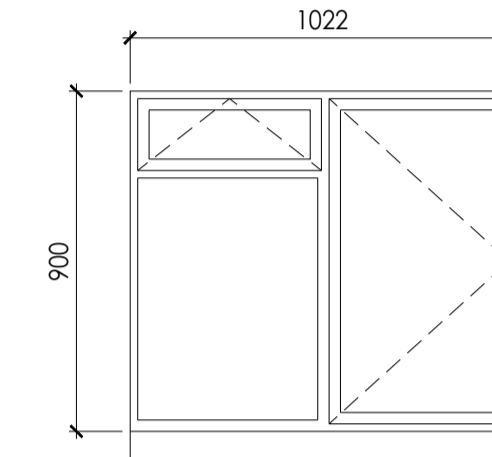
TYPE L
HERITAGE SLIM PVC SLIDING SASH
WB.01 WB.02 WG.03 WS.01
WB.03 WS.03 WS.04 WS.05
WB.06 WS.07 WS.08 WS.09
WB.10 WS.11 WS.12 WS.13
WB.14 WS.15 WS.16 WS.17
WB.18 WS.19 WS.20 WS.21
WB.22 WS.25 WS.27 WS.29
WB.31 WS.32 WS.33 WS.35
WB.37 WS.39 WS.41 WS.43



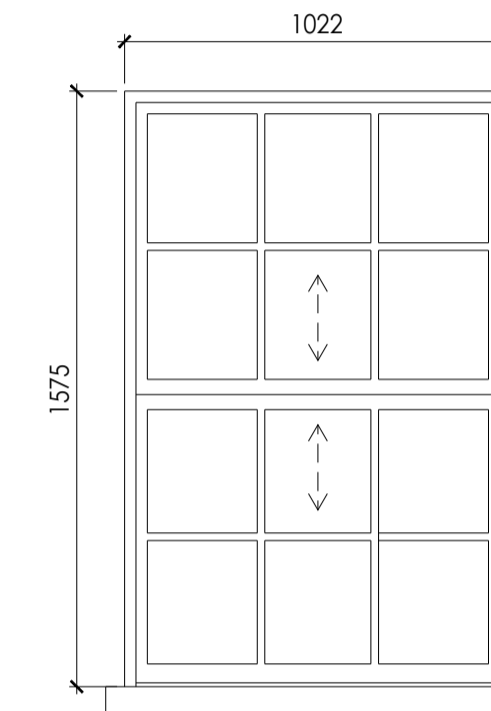
TYPE M
PVC TOP HUNG
WF.23 WS.23



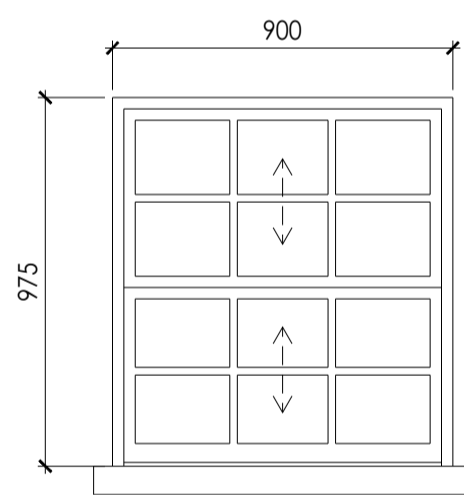
TYPE N
PVC TOP HUNG & CASEMENT
WB.19 WB.21 WB.23 WB.25 WB.27



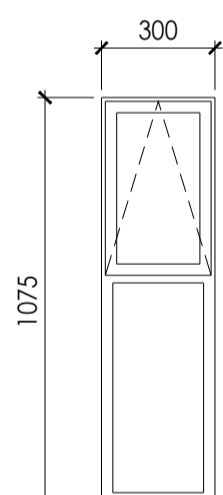
TYPE P
PVC TOP HUNG & CASEMENT
WB.22



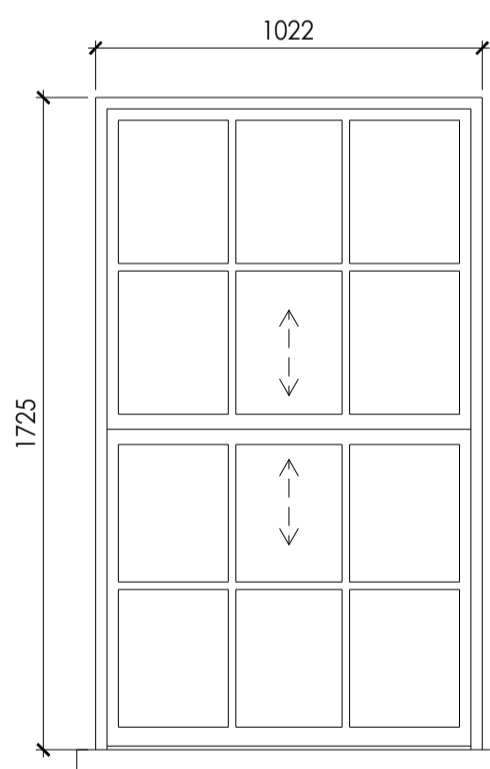
TYPE Q
HERITAGE SLIM PVC SLIDING SASH
WG.16 WG.17 WG.18 WG.19
WG.20 WG.21 WG.22 WG.23
WG.24 WG.25 WG.26 WG.27



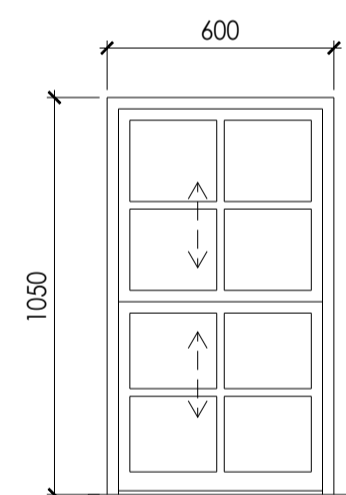
TYPE R
HERITAGE SLIM PVC SLIDING SASH
WF.24 WF.27 WF.36 WF.39
WF.42 WF.45 WF.48



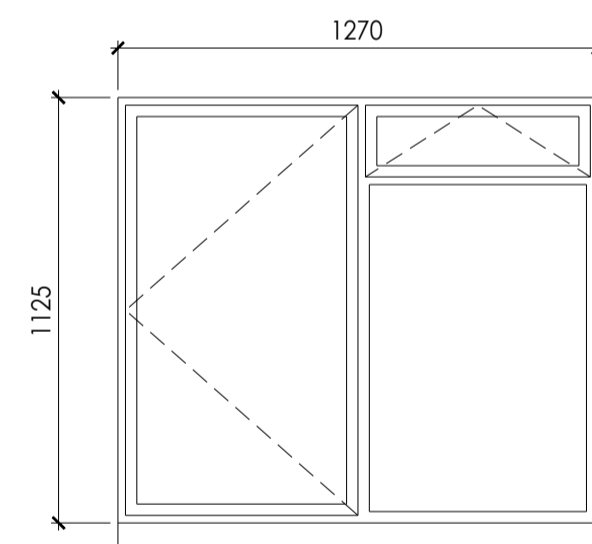
TYPE S
PVC TOP HUNG
WF.25 WF.28
WF.37 WF.40
WF.43 WF.46
WF.49



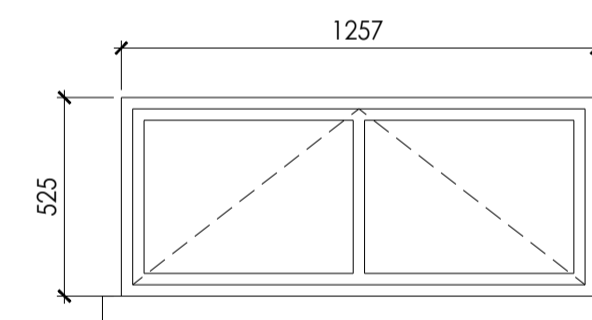
TYPE T
HERITAGE SLIM PVC SLIDING SASH
WF.26 WS.28 WF.29 WF.30
WF.31 WS.33 WF.34 WF.35
WF.38 WF.41 WF.44 WF.47
WF.50



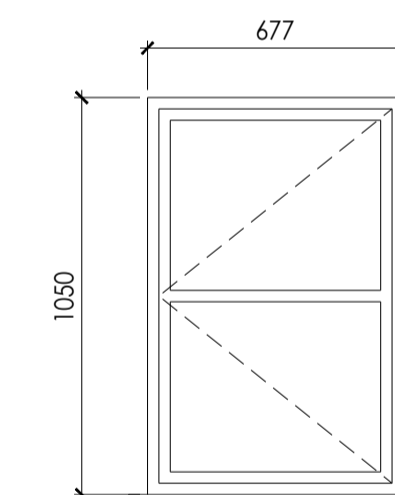
TYPE U
HERITAGE SLIM PVC SLIDING SASH
WS.24 WS.26 WS.33
WS.35 WS.37 WS.39
WS.41



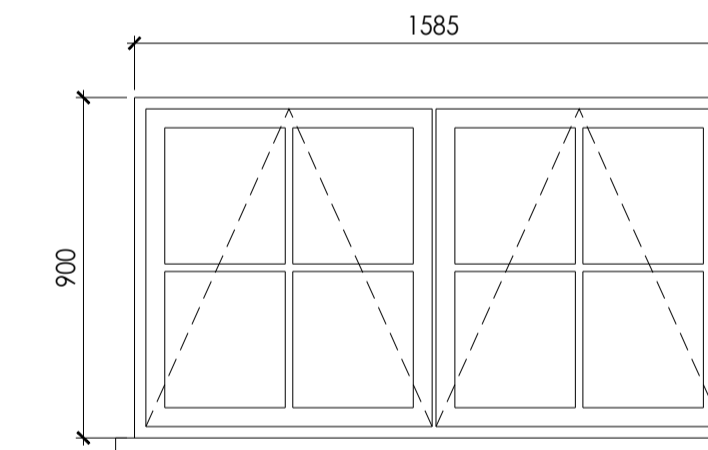
TYPE V
PVC TOP HUNG & CASEMENT
WF.32 WS.30



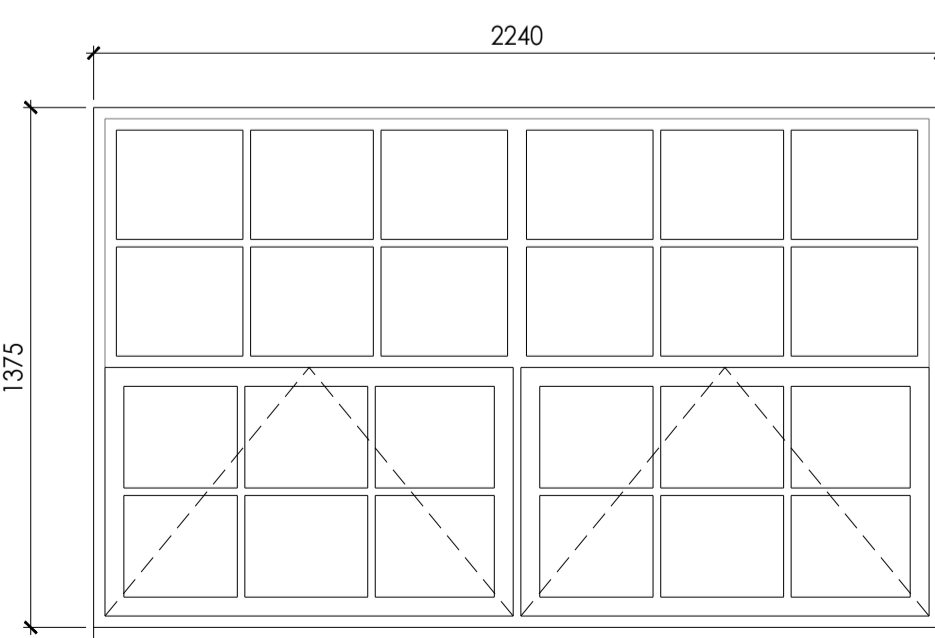
TYPE W
PVC TOP HUNG
WS.44



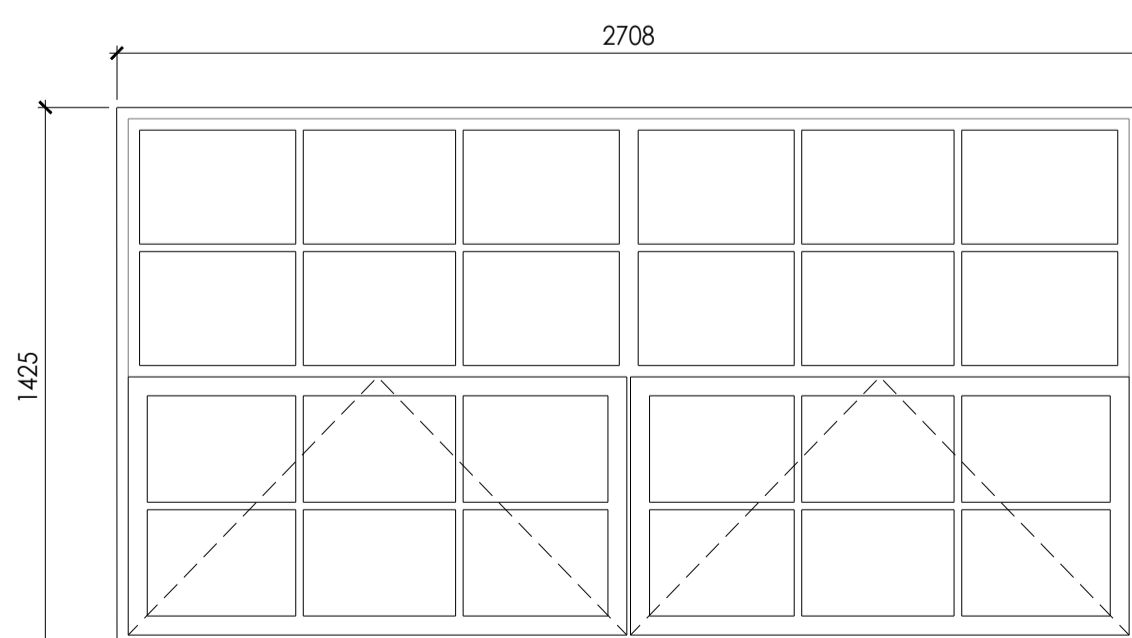
TYPE X
PVC CASEMENT
WS.45



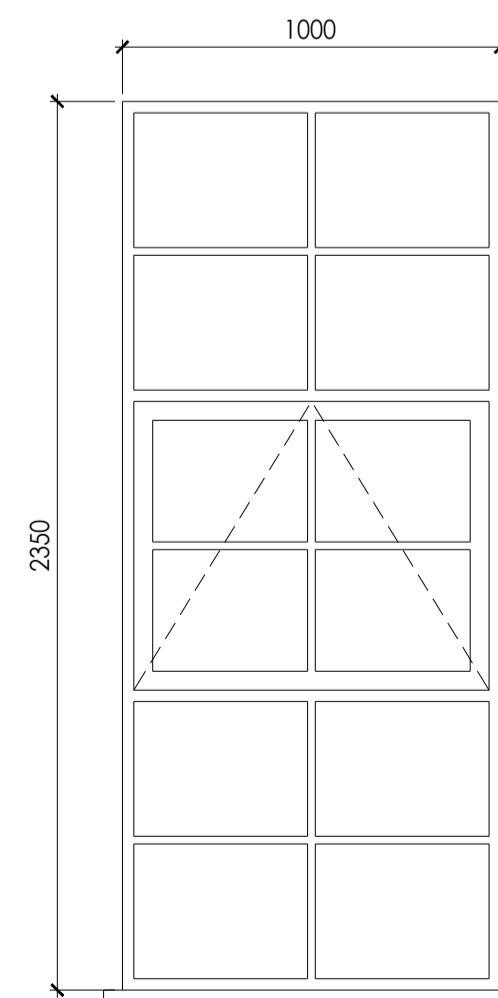
TYPE Y
PVC TOP HUNG
WG.28



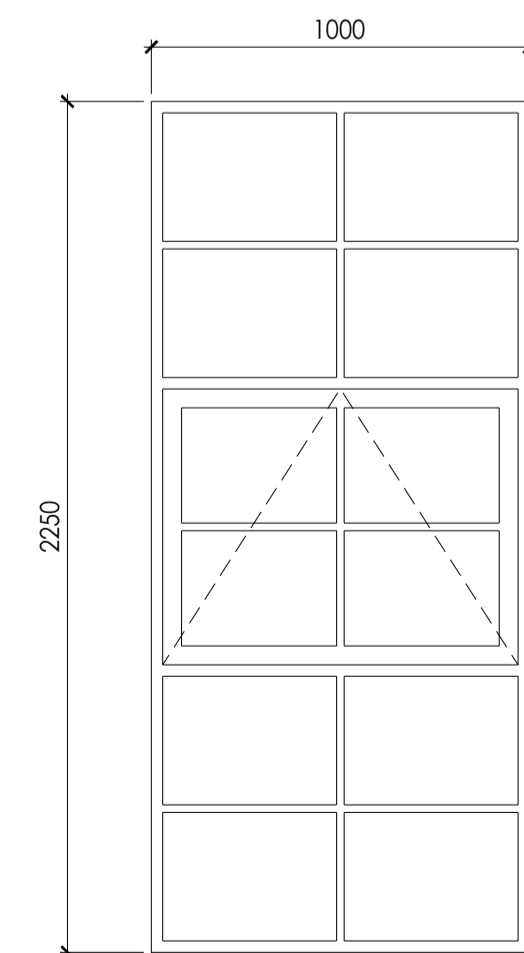
TYPE Z
PVC TOP HUNG
WG.29



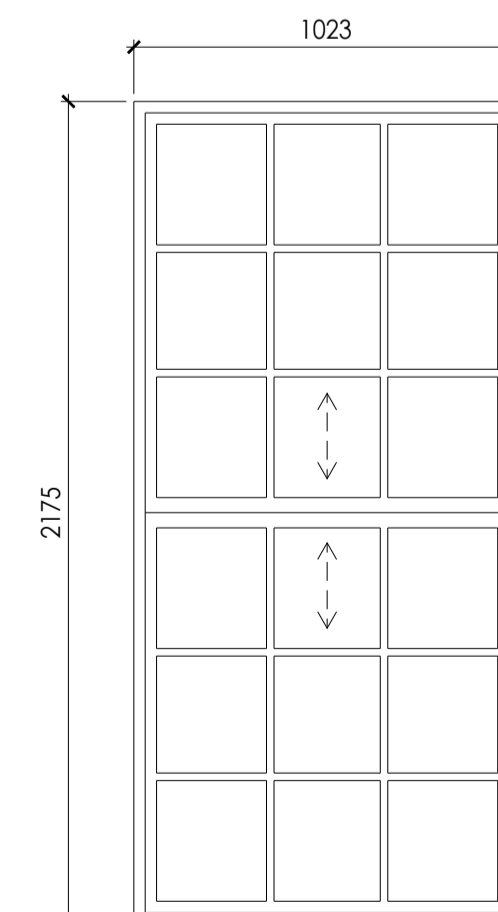
TYPE A1
PVC TOP HUNG
WF.51 WS.46



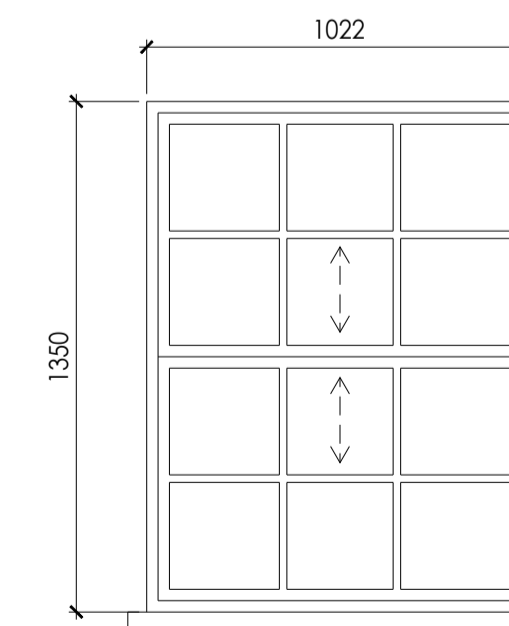
TYPE B1
PVC TOP HUNG
WF.52



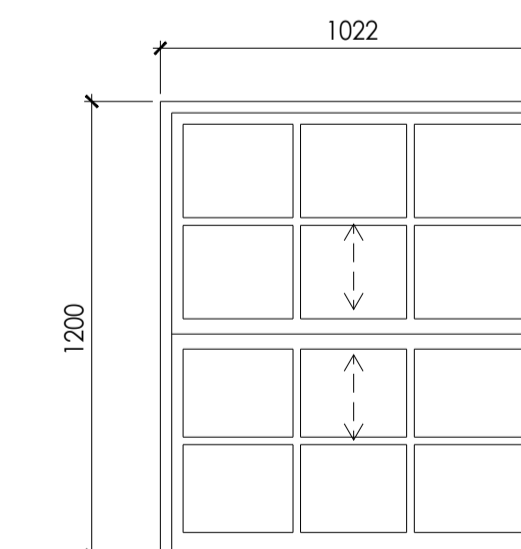
TYPE C1
PVC TOP HUNG
WS.47



TYPE D1
PVC SLIDING SASH
WF.53



TYPE E1
HERITAGE SLIM PVC SLIDING SASH
WS.48



TYPE E1
HERITAGE SLIM PVC SLIDING SASH
WS.25 WS.27



DO NOT SCALE FOR CONSTRUCTION



BUILDING SURVEYING
ARCHITECTURE
PROJECT MANAGEMENT
QUANTITY SURVEYING

HOLMBURY HOUSE
DORKING BUSINESS PARK
STATION ROAD DORKING
SURREY RH4 1HJ

T 01304 887070
F 01304 876716
admin@bpg.co.uk
www.bpg.co.uk

PROJECT

IRENE BARCLAY HOUSE

CLIENT

ORIGIN HOUSING

DATE AUGUST 2014

DRAWN LJ CHECKED RM

SCALE 1:20 @ A1 FOR PLANNING

TITLE
PROPOSED WINDOW SCHEDULE

DRAWING NO. 3651 / PL04 REV A