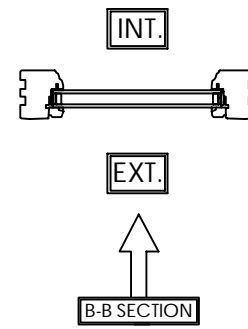
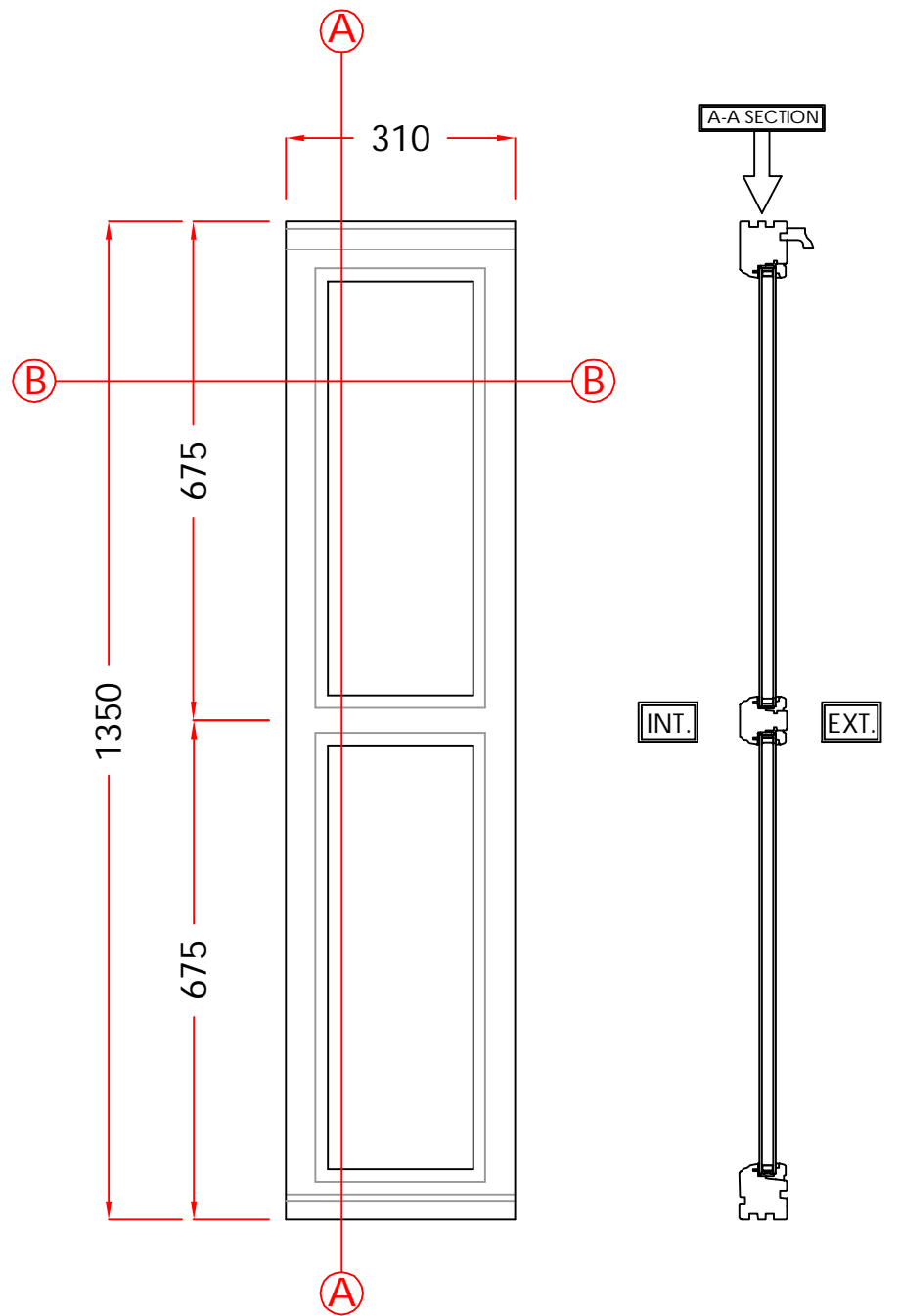


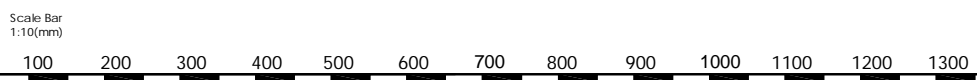
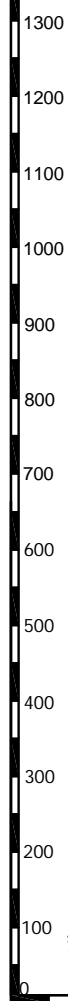
3. PORCH

MATERIAL - TIMBER
 INTERNAL & EXTERNAL COLOUR - WHITE
 GLAZING - 24MM SEALED UNITS



4. PORCH

MATERIAL - TIMBER
 INTERNAL & EXTERNAL COLOUR - WHITE
 GLAZING - 24MM SEALED UNITS



VIEWED EXTERNALLY

Scale - 1:10
 (Produced on A3 Paper)
 Sheet 3 Of 4

Drawers Initials.
SF

CONTRACT No.: 30122720		date: 01/02/2016
PROPOSED: PORCH		
AT: <small>(INSTALLATION ADDRESS)</small>	70 DARTMOUTH PARK ROAD LONDON NW5 1SN	
FOR:	MRS P ATTWELL	

