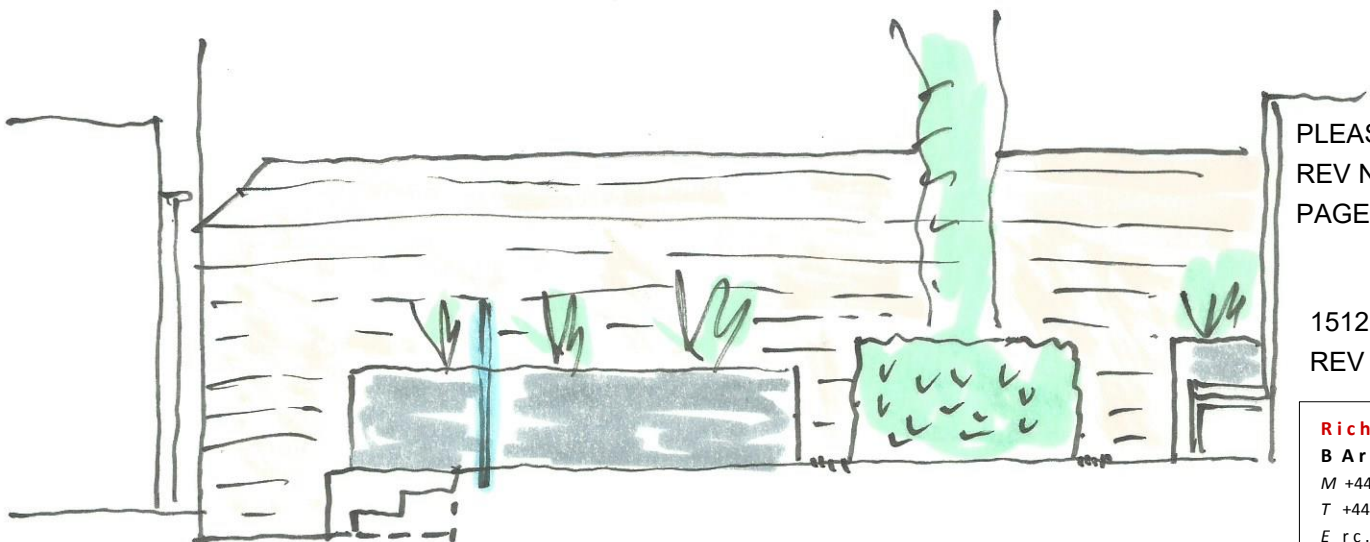


EX. TREE MOUND

300MM WIDE STRIP  
OF STONE CHIPPING

RETURN WALL 350MM  
AWAY FROM MOUND

REAR COURTYARD  
PROPOSED PLAN WITH  
EXPOSED TREE BASE



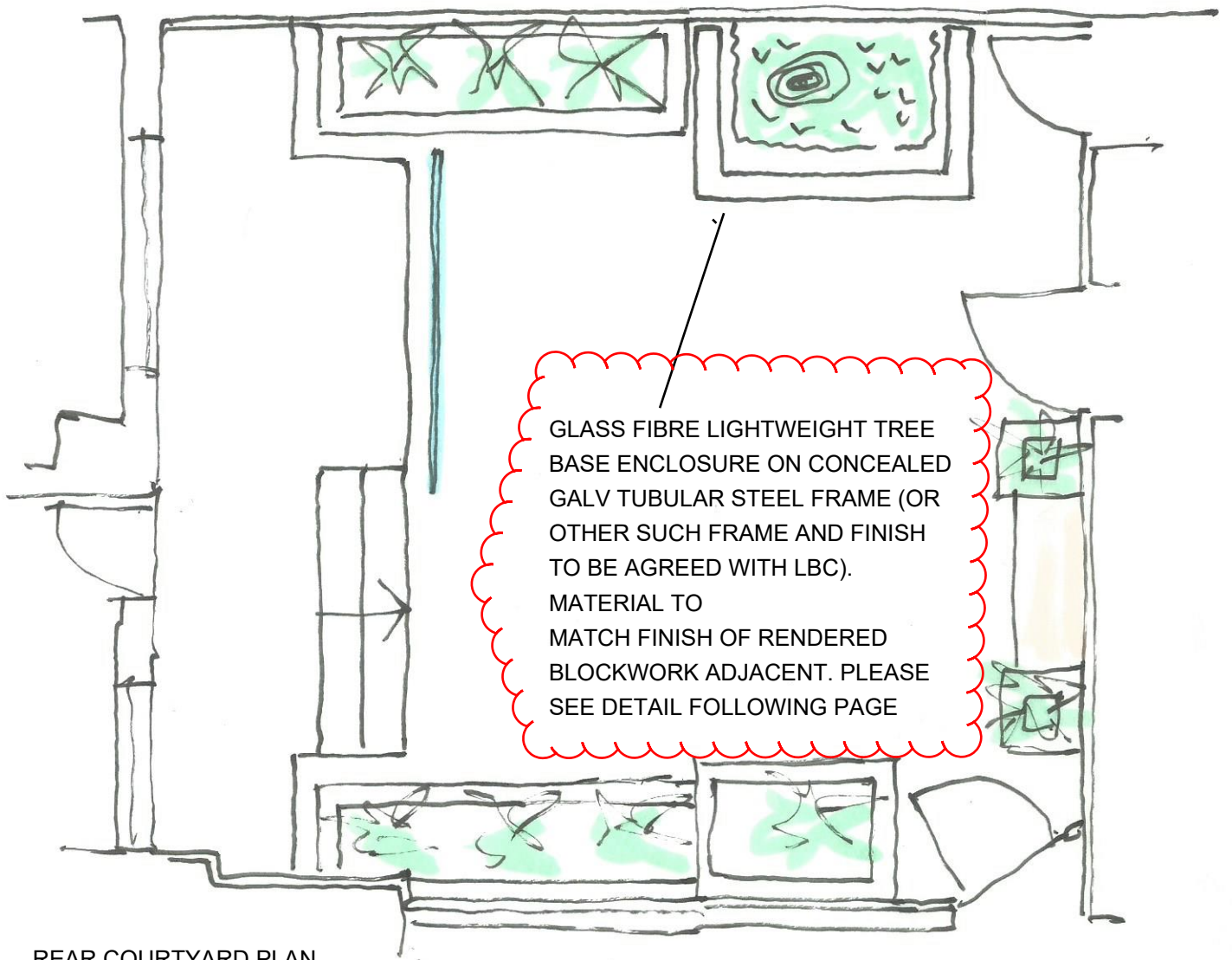
PLEASE SEE  
REV NOTE ON  
PAGE 2

1512 - SK0010  
REV A 010216

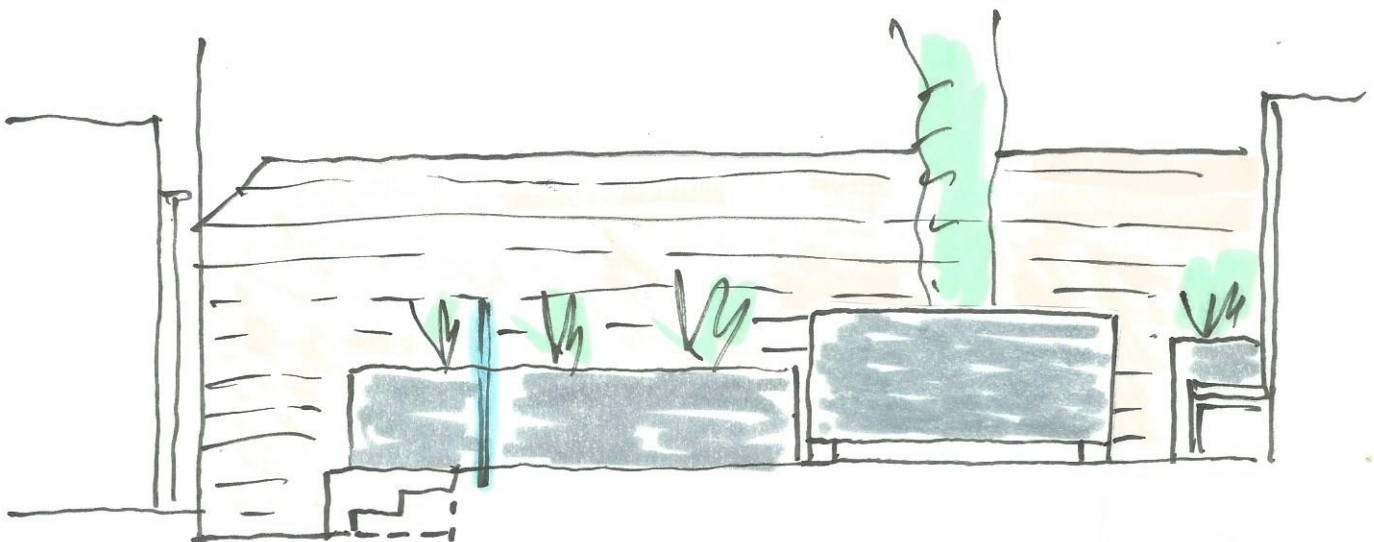
**Richard Cohen**  
B Arch Pr Arch  
M +44 (0) 7814 847 411  
T +44 (0) 20 7449 2682  
E r.c.a@outlook.com  
47 Holmefield Court  
Belsize Grove  
London NW3 4TT UK ©

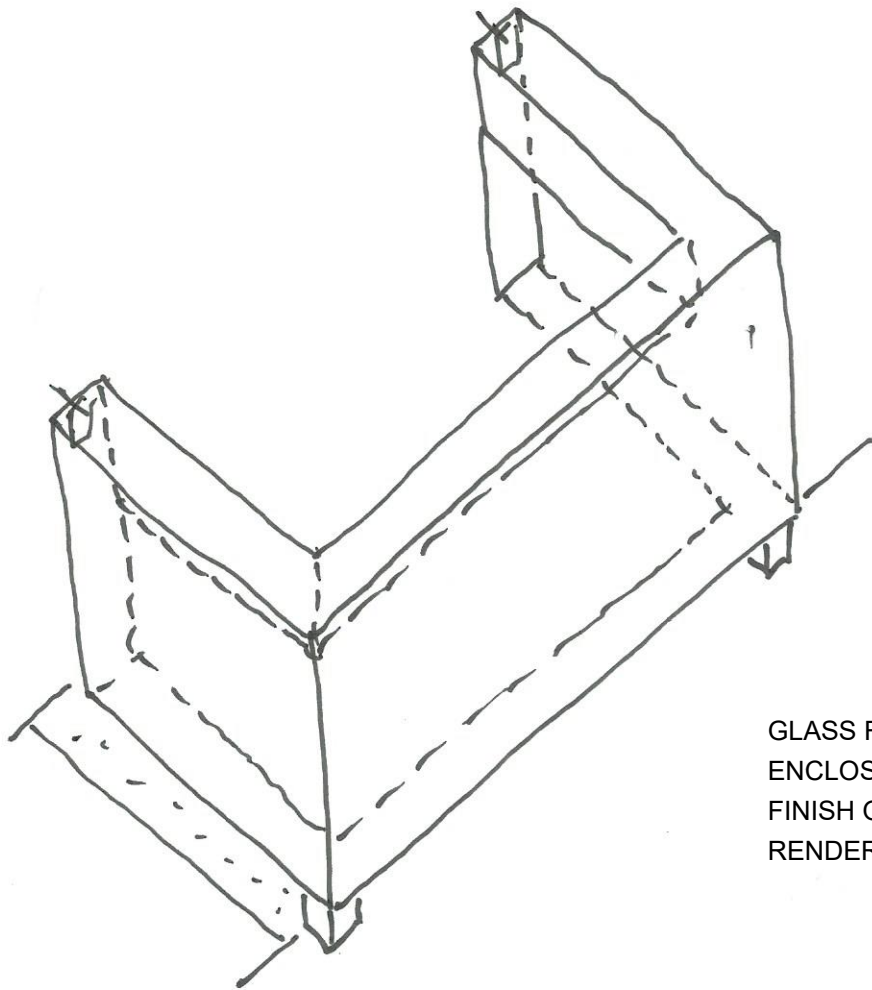
SECTION FACING TREE BASE  
BASE ENCLOSURE NOT SHOWN

2/104 FITZJOHNS AVE NW3  
REAR COURTYARD TREATMENT TO AREA  
AROUND EX, TREE MOUND 220116 1:50/A4  
DRWG NO. 1512 - SK0010



REAR COURTYARD PLAN  
SHOWING ENCLOSED TREE BASE





GLASS FIBRE LIGHTWEIGHT  
ENCLOSURE MATCHING THE  
FINISH OF THE ADJACENT  
RENDER

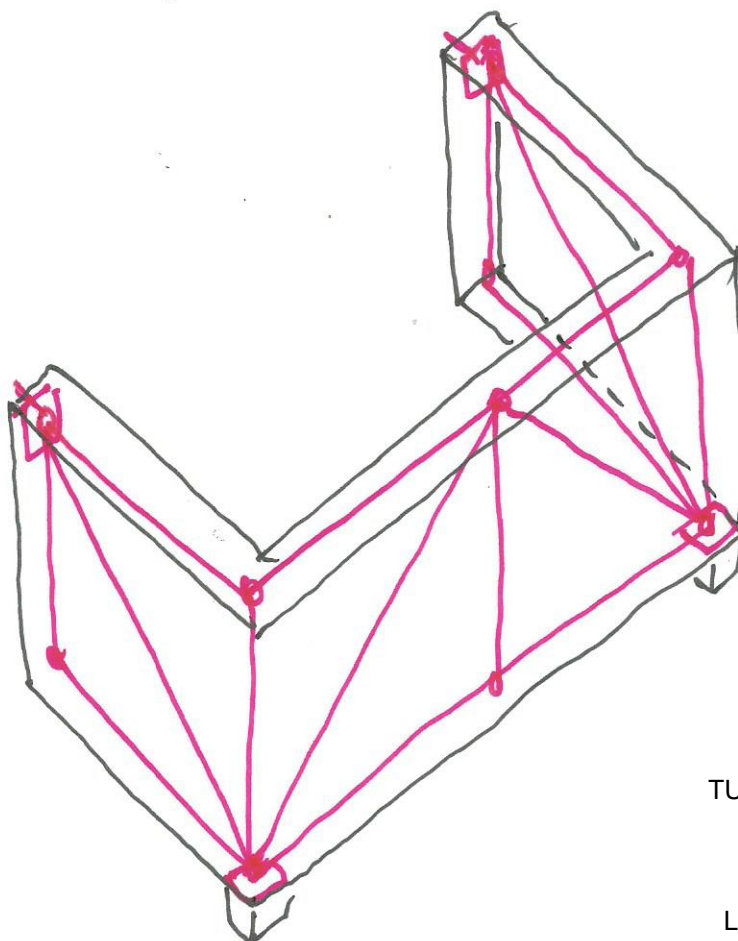


PLATE AND HOOK  
CONNECTION  
AT WALL

TUBULAR STEEL FRAMING

RESTING ON PADS ON  
THE SLATE PAVING EDGE

LIGHTWEIGHT ENCLOSURE TO  
EX. TREE MOUND 1:25/A4