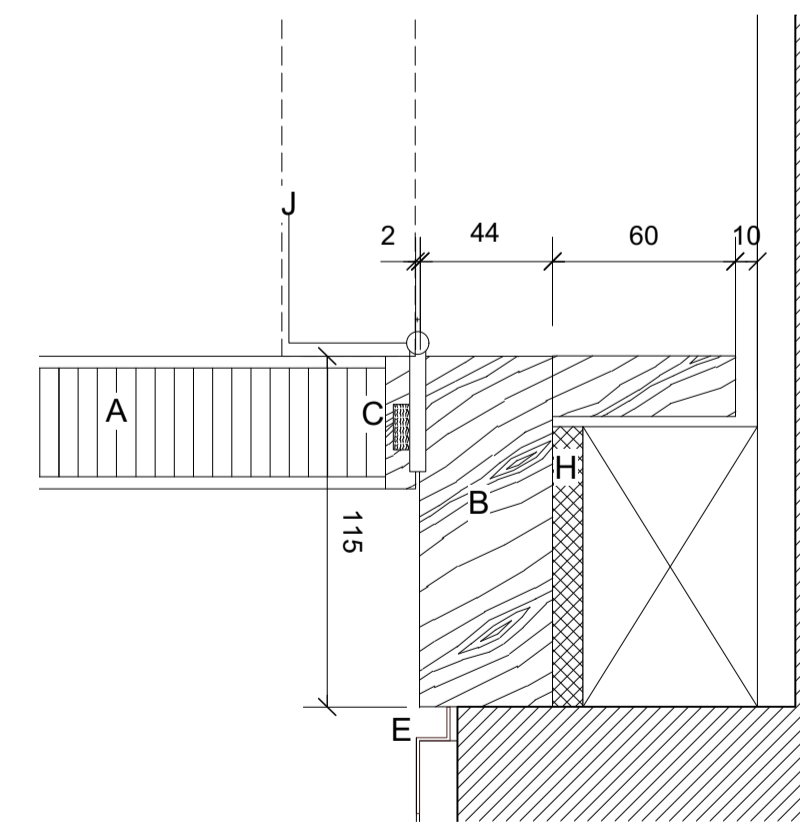
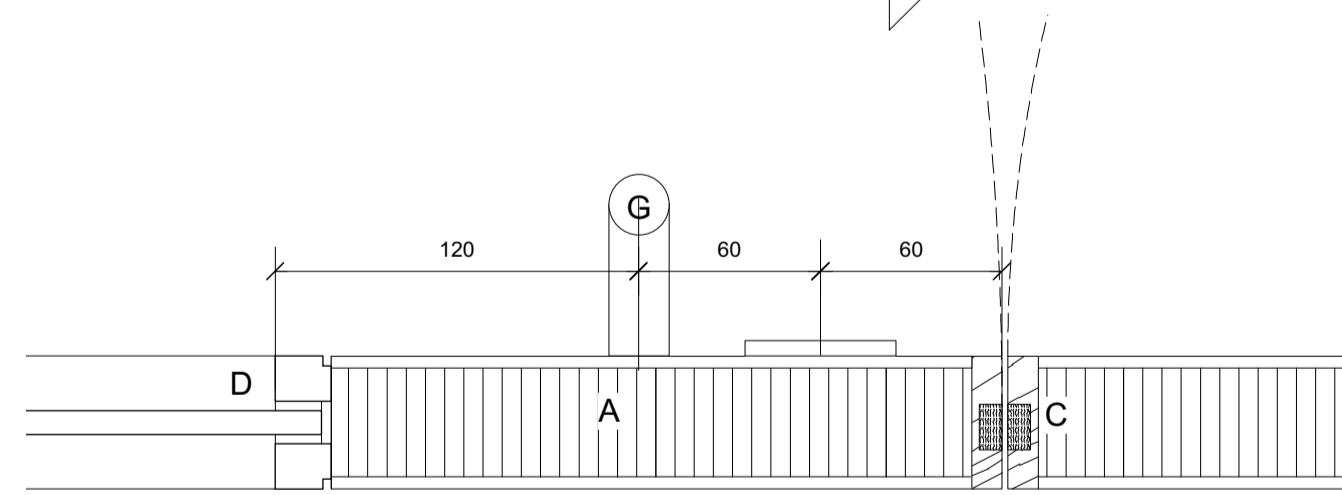
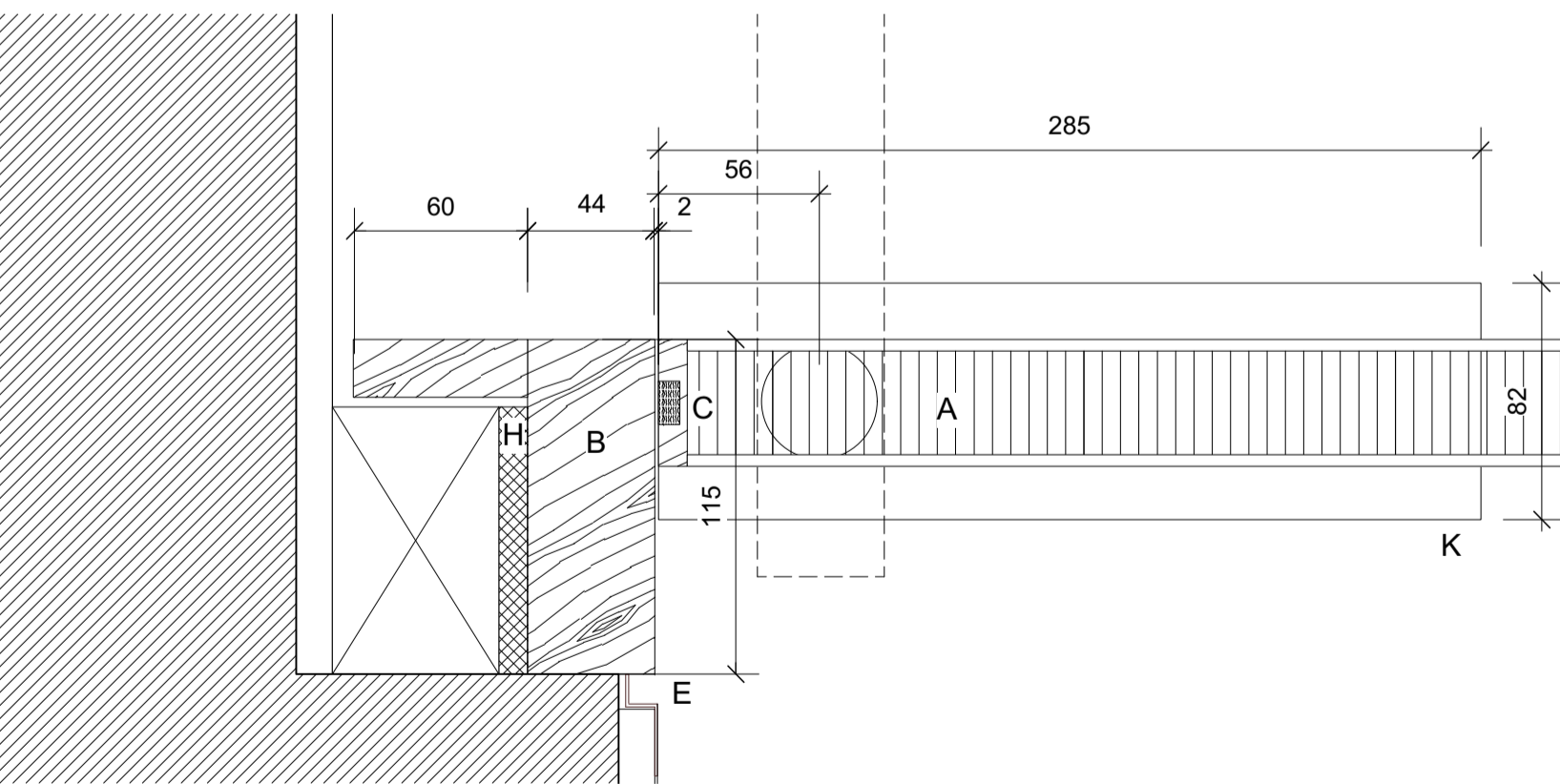
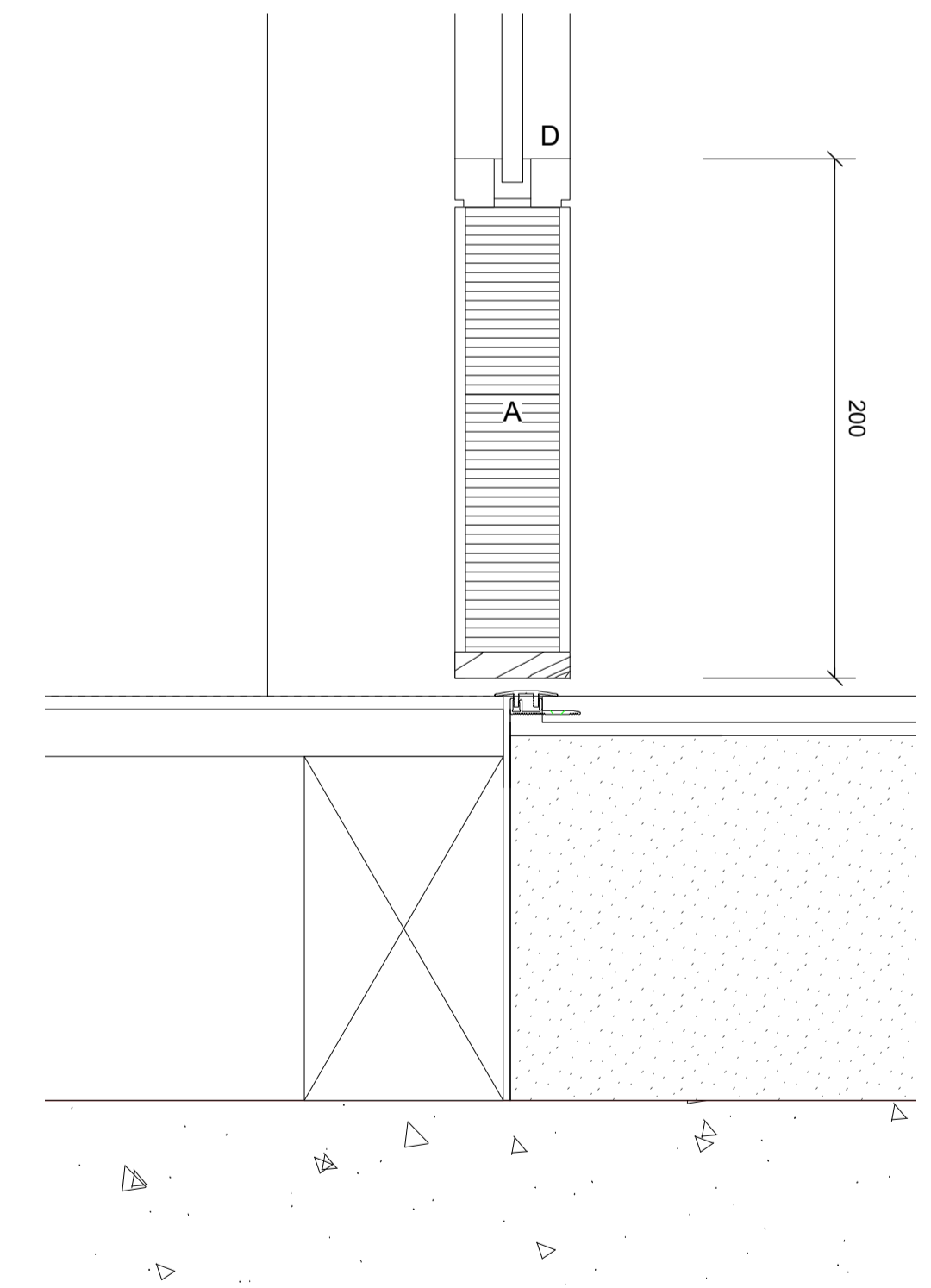
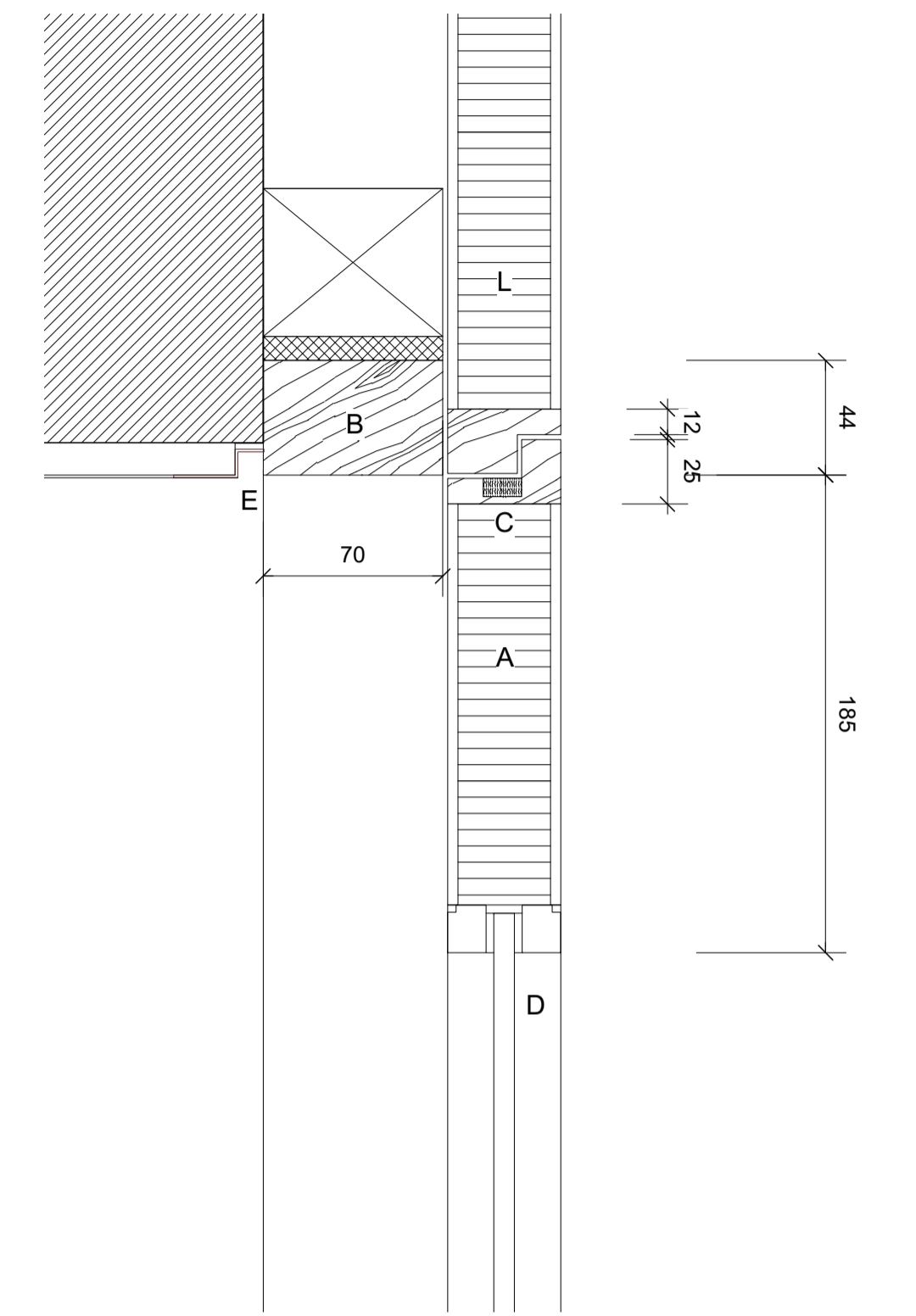
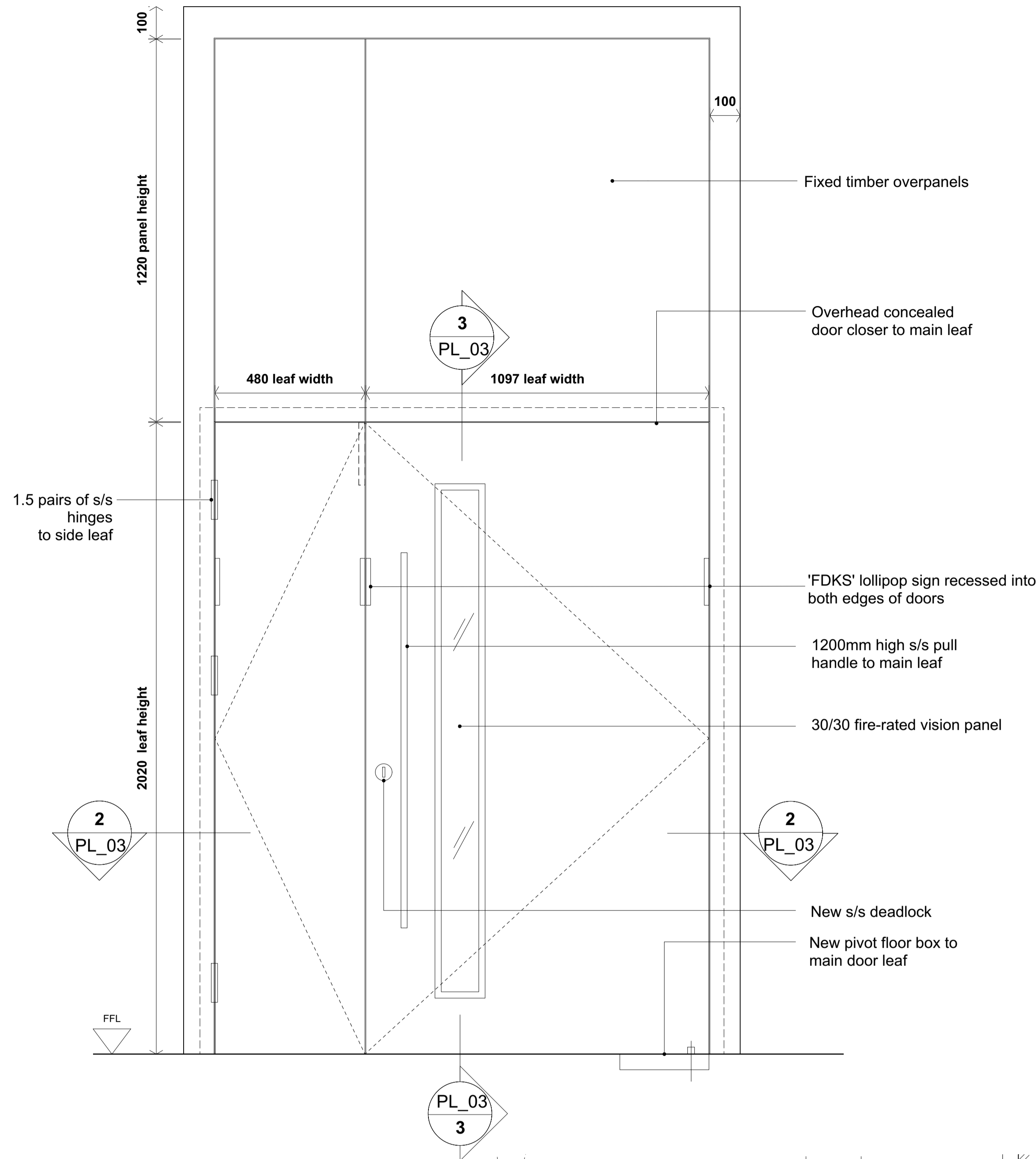


General note :
Door and frame sizes illustrated are the typical arrangement. All existing door openings to be site surveyed prior to manufacture.

VENEERED DOORS WITH VISION PANEL AND FIXED OVERPANELS (MAIN OFFICE DOORS)
DOOR LEAF: FD30S, 44mm thick solid door with Smoked Oak veneered faces and lippings. See Spec. code - L20/273
FRAME: Smoked Oak frame - see Spec. L20/330
IRONMONGERY: Refer to 3V Ironmongery specification

- A** 44mm thick solid core door (FD30S), faced in Smoked Oak veneer, with 12mm solid lipping to sides.
- B** 44mm thk Smoked Oak frame (site check wall thickness to suit)
- C** Proprietary fire and smoke seal. To match colour of timber door. Manufacturer to provide fire test certification.
- D** Glazed vision panel, with 20mm x 20mm solid Smoked oak beads with 3mm x 3mm quirks and to sit flush with the faces of the door
- E** BG106 Styletrim Edge reveal
- F** 15 x 35mm solid Smoked Oak stop beads
- G** 1200mm high brushed stainless steel back-to-back mitred pull handles, as 3V ironmongery specification
- H** Packer
- J** Stainless steel butt hinges, as 3V ironmongery specification
- K** Pivot floor box
- L** 44mm thick rebated overpanel made from solid core door blanks faced in Smoked Oak veneer, with 12mm solid lipping to sides.

01 Proposed Doors - Type C
Scale 1:10@A1



02 Proposed Door Type C - Typical Jamb details
Scale 1:2.5@A1

03 Proposed Door Type C - Typical Head/Threshold details
Scale 1:2.5@A1

All dimensions to be checked on site prior to commencement of any works, and/or preparation of any shop drawings.
Scale of and dimensions to any structural or services elements are indicative only. See structural and services engineers drawings for actual sizes / dimensions.
This drawing to be read in conjunction with all other Architect's drawings, specifications and other Consultant's information.
All proprietary systems shown on this drawing are to be installed strictly in accordance with the Manufacturers/Suppliers recommended details.
Any discrepancies between information shown on this drawing and any other contract information or manufacturers/suppliers recommendations is to be brought to the attention of the Architect.

Revision	Date	Amendment
P1	29.01.16	Issued For Listed Building Consent Application

Date January 2016	Drawn DP	Check MH	Project 163 - 203 Eversholt St, Euston	Job Ref. EVT 207
Scale 1:2/10@A1	Client Ref -	Drwg. no. 207 (PL) 03	Title Proposed Door Type C - Main Office Door Details	
Status PLANNING	Rev. P1	Architect Hale Brown Architects Ltd Unit 3 Phoenix Wharf, Eel Pie Island, Twickenham, TW1 3DY T: 020 8977 6946 E: mail@halebrown.com W: www.halebrown.com		

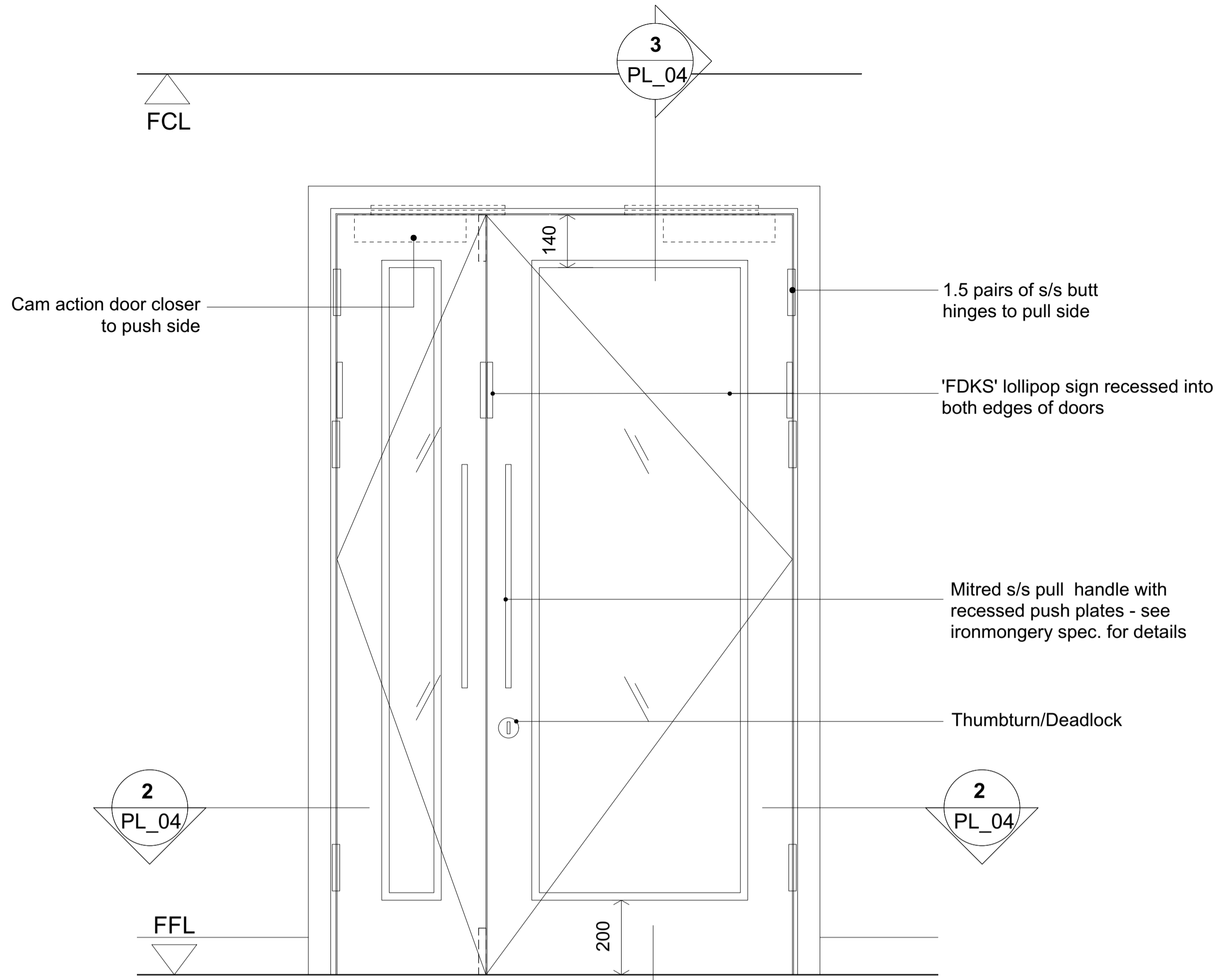
General note :
Door and frame sizes illustrated are the typical arrangement. All existing door openings to be site surveyed prior to manufacture.

VENEERED SWING DOORS WITH VISION PANELS (STAIRWELL DOORS)
DOOR LEAF: FD30S, 44mm thick solid door with Smoked Oak veneered faces and lippings. See Spec. code - **L20/272**
FRAME: Smoked Oak frame - see Spec. **L20/330**
IRONMONGERY: Refer to 3V Ironmongery specification

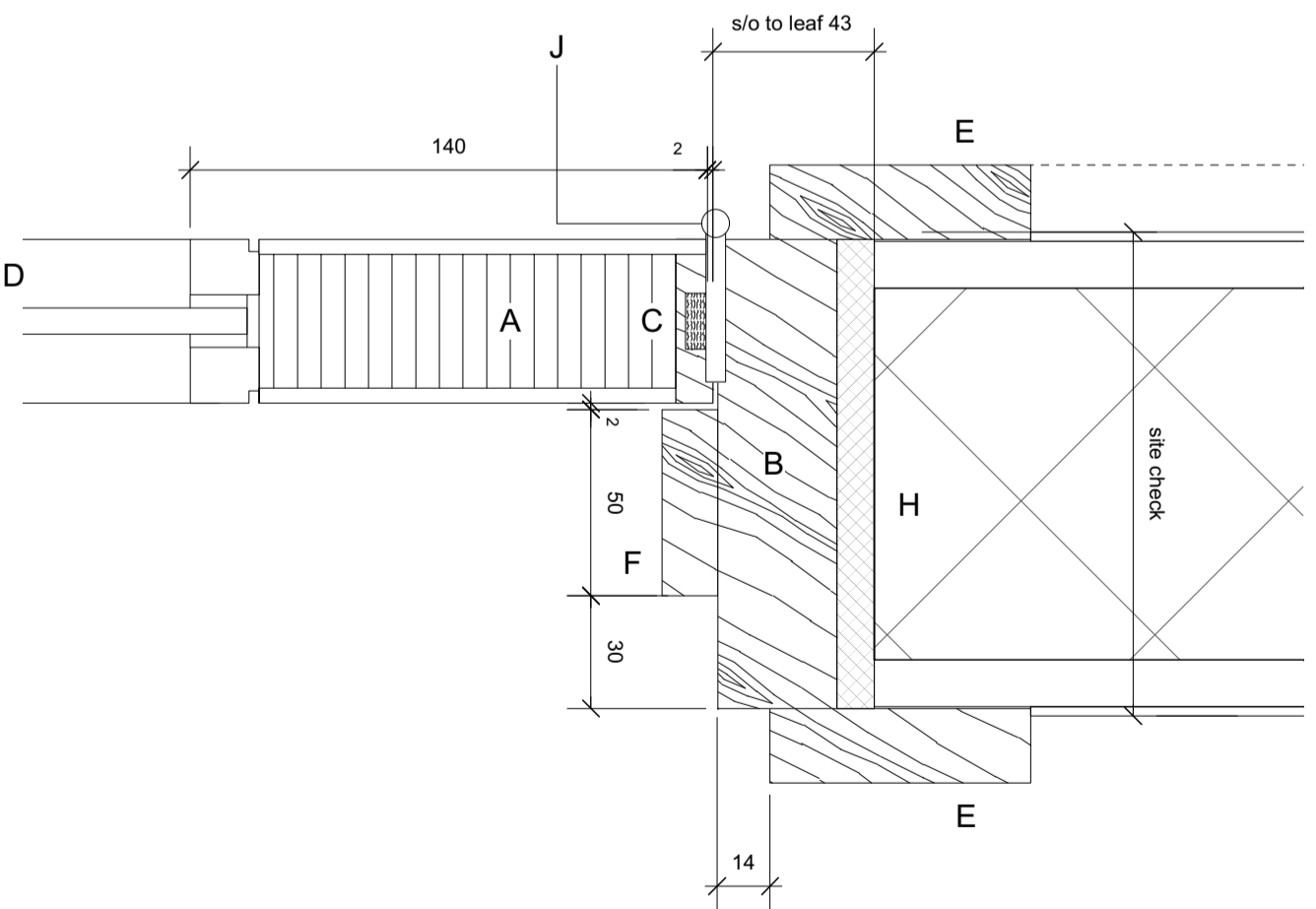
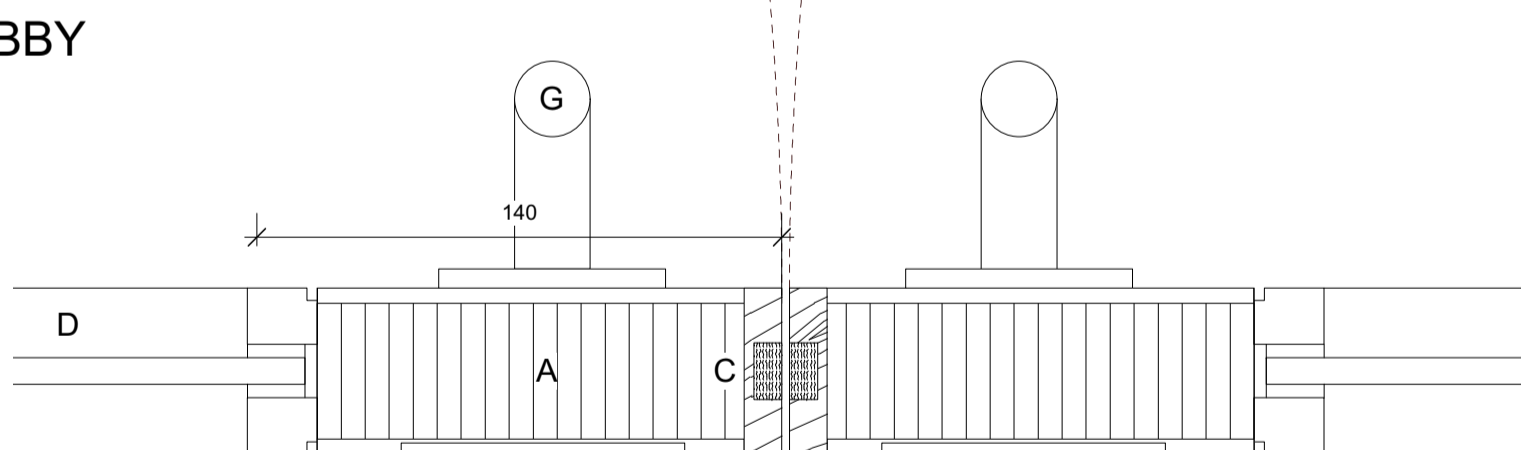
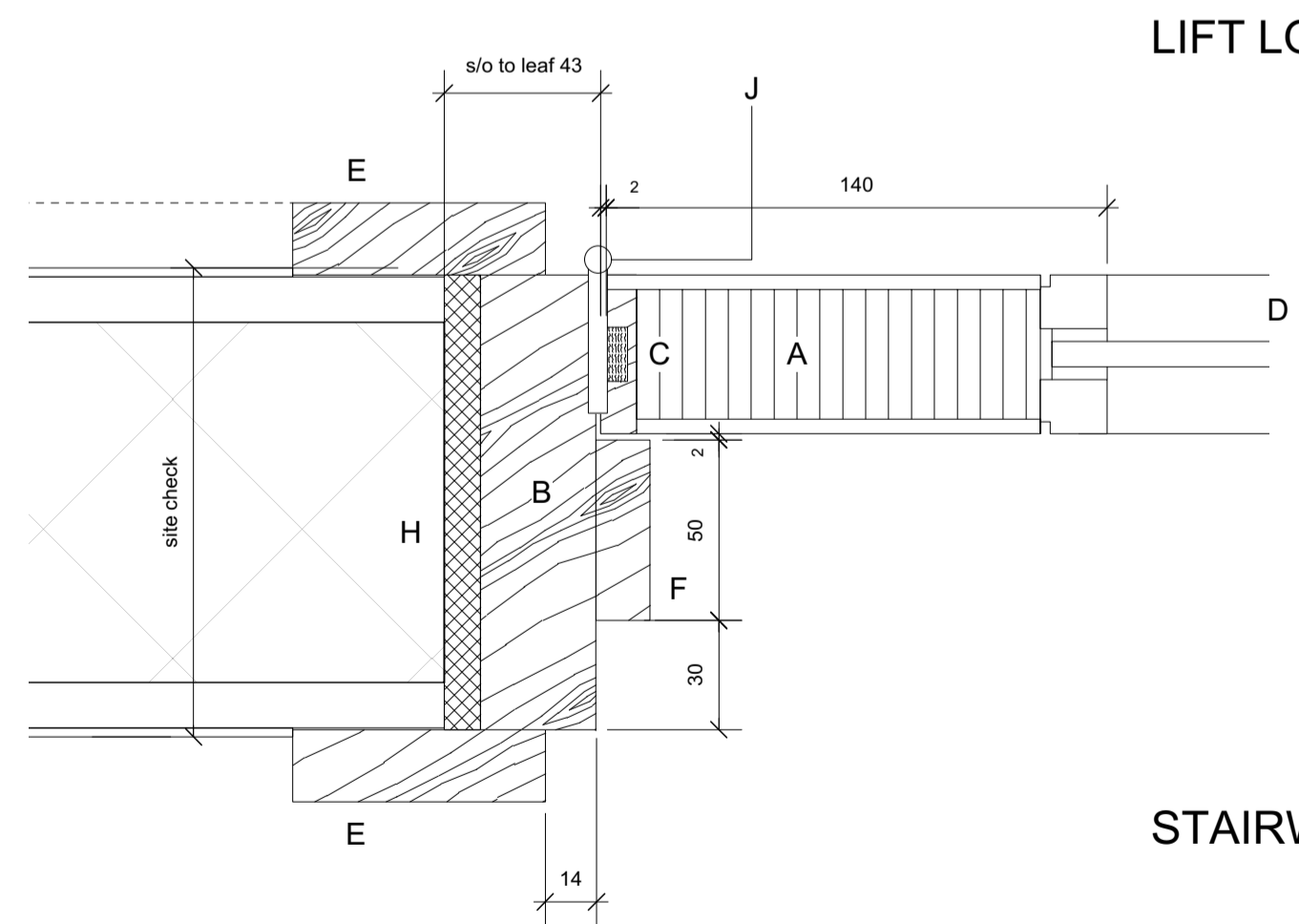
- A** 44mm thick solid core door (FD30S), faced in Smoked Oak veneer, with 12mm solid lipping to sides.
- B** 32mm thk Smoked Oak frame (site check wall thickness to suit)
- C** Proprietary fire and smoke seal. To match colour of timber door. Manufacturer to provide fire test certification.
- D** Fire-rated vision panel, with 15mm x 20mm solid Smoked oak beads with 3mm x 3mm quirks and to sit flush with the faces of the door
- E** 20mm x 70mm Smoked oak architrave
- F** 15 x 50mm solid Smoked Oak stop beads
- G** 600mm high brushed stainless steel mitred pull handles, with recessed push plates to push side as 3V ironmongery specification
- H** Packer
- J** Stainless steel butt hinges, as 3V ironmongery specification

DOOR NO.	LOCATION	DOOR LEAF SIZES	FRAME SIZE
D-G15	No.203 RECEPTION	2040mm x 826mm/2040mm x 400mm	2100mm x 1295mm

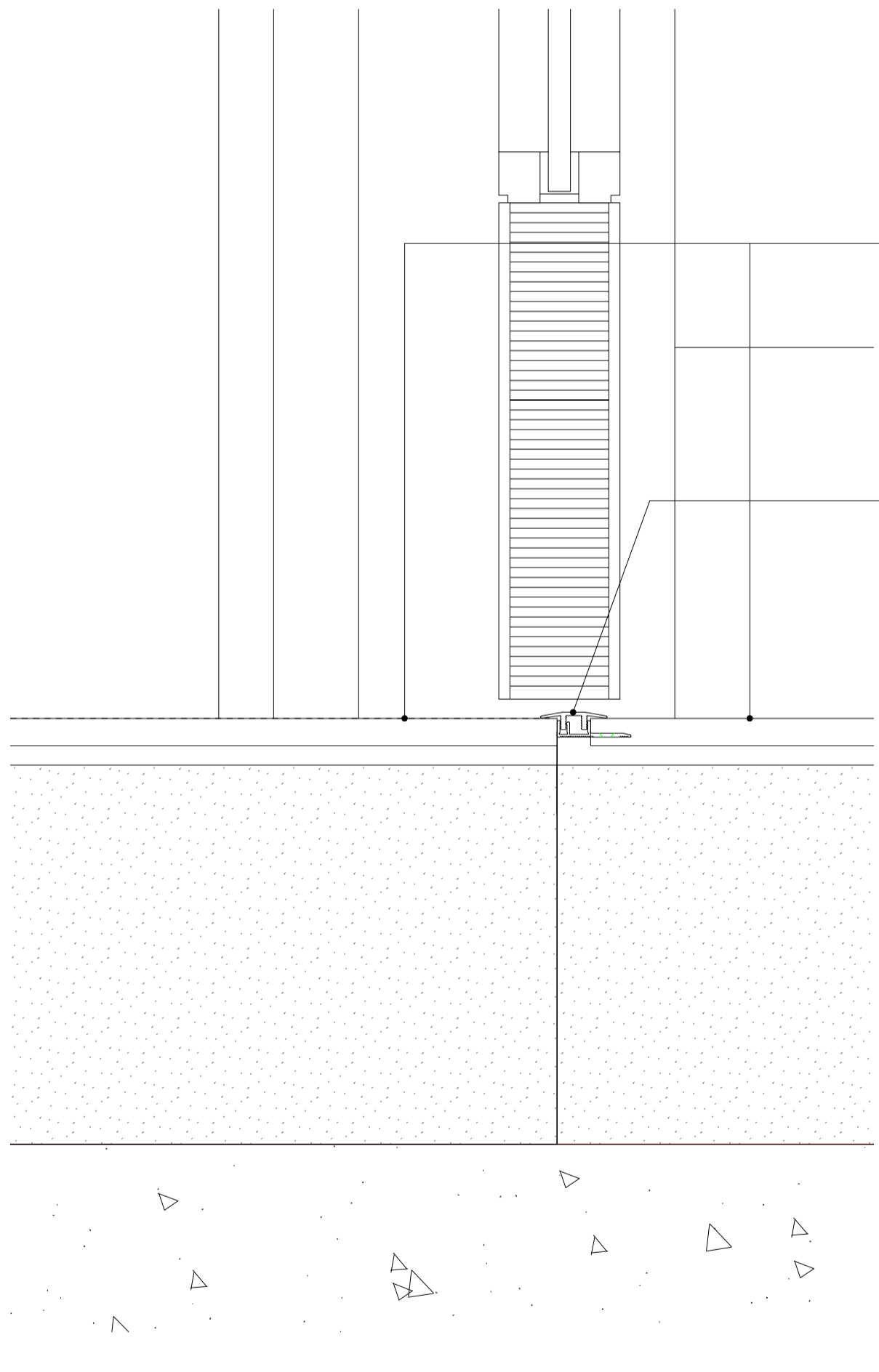
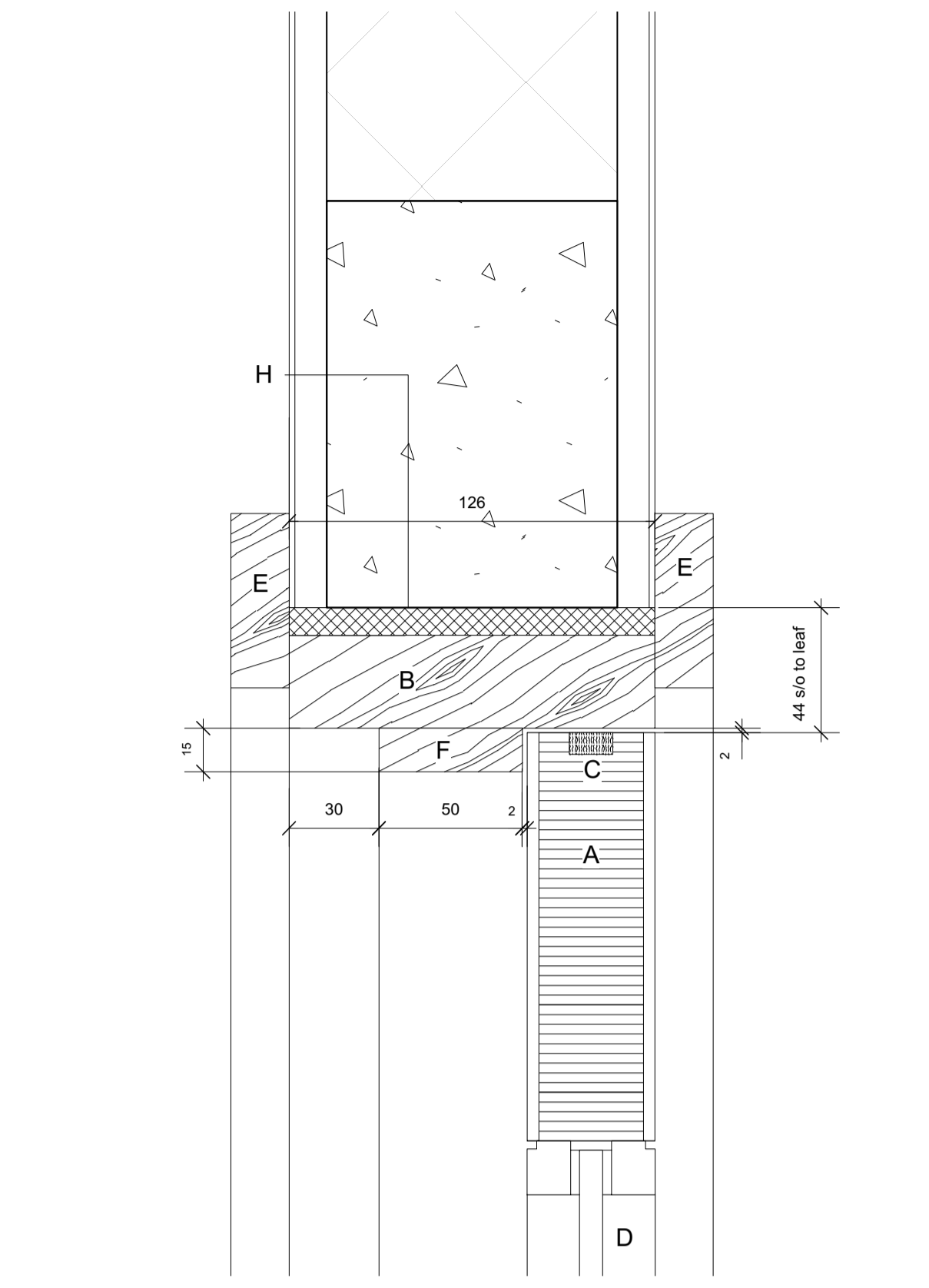
ALL DIMENSIONS TO BE SITE CHECKED PRIOR TO MANUFACTURE AND SHOP DRAWINGS PRODUCED FOR COMMENT PRIOR TO MANUFACTURE



01 Proposed Door Type D
Scale 1:10@A1



02 Proposed Door Type D - Typical Jamb details
Scale 1:5@A1



03 Proposed Door Type D - Typical Head/Threshold details
Scale 1:5@A3

Spec code : M40/110
New floor tiles to lobby on existing screed

Gradus KC578 trim (matt silver) to centre of door

All dimensions to be checked on site prior to commencement of any works, and/or preparation of any shop drawings.
Scales and dimensions to any structural or services elements are indicative only. See structural and service engineers drawings for actual sizes / dimensions.
This drawing to be read in conjunction with all other Architect's drawings, specifications and other Consultants' information.
All proprietary systems shown on this drawing are to be installed strictly in accordance with the Manufacturers/Suppliers recommended details.
Any discrepancies between information shown on this drawing and any other contract information or manufacturers/suppliers recommendations is to be brought to the attention of the Architect.

Revision	Date	Amendment
P1	29.01.16	Issued For Listed Building Consent Application

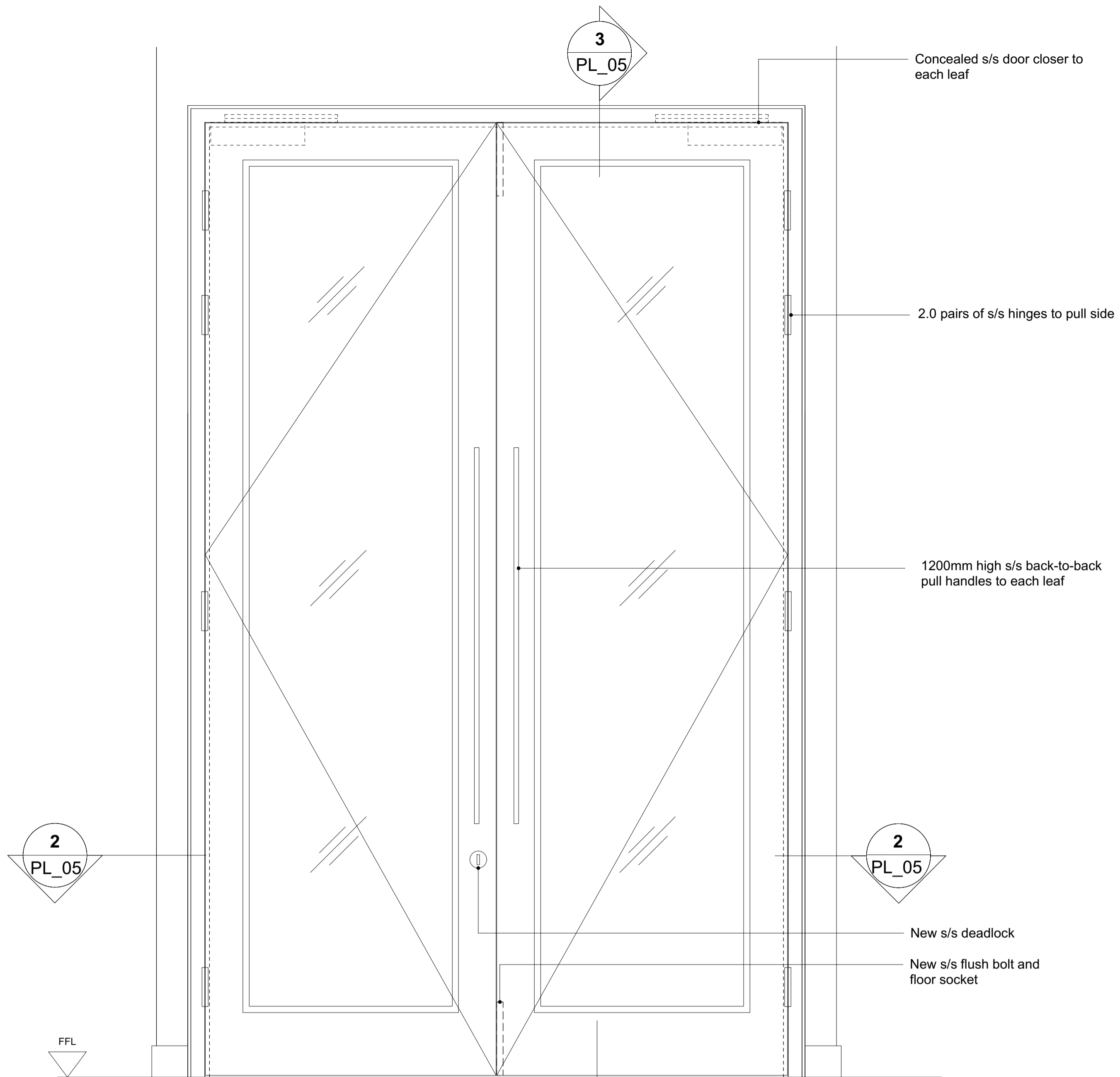
Date January 2016	Project 163 - 203 Eversholt St, Euston	Job Ref. EVT 207
Scale 1:2/10@A1	Drawn DP	Check MH
Status PLANNING	Client Ref 207 (PL) 04	Rev. P1
Architect Hale Brown Architects Ltd Unit 3 Phoenix Wharf, Eel Pie Island, Twickenham, TW1 3DY T: 020 8977 6946 E: mail@halebrown.com W: www.halebrown.com		

halebrown
architects

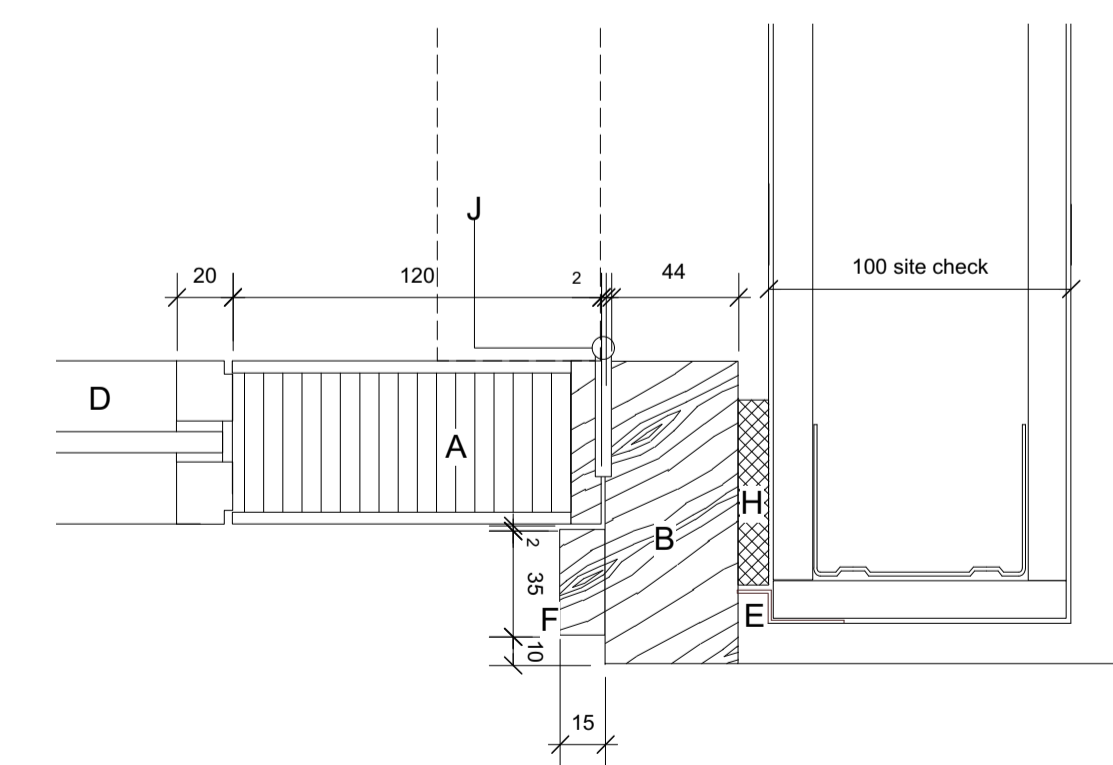
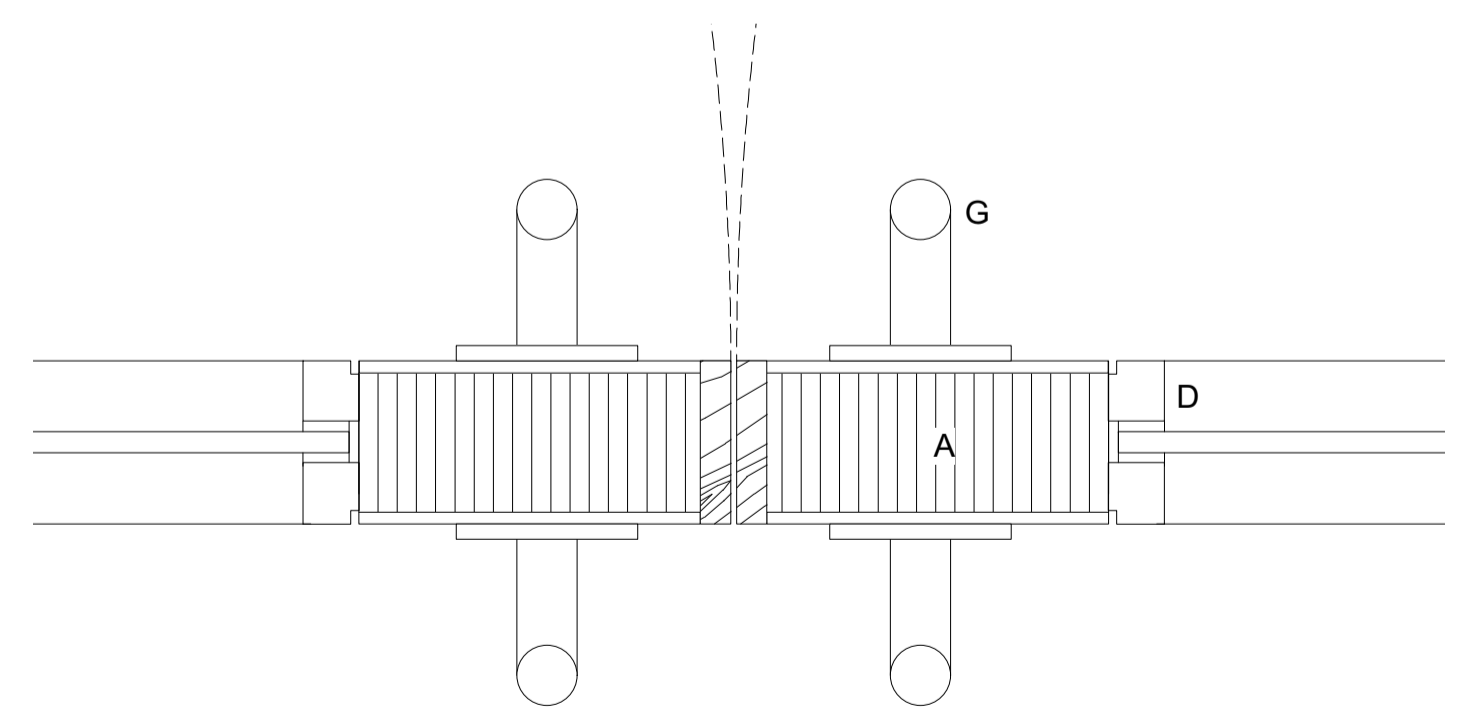
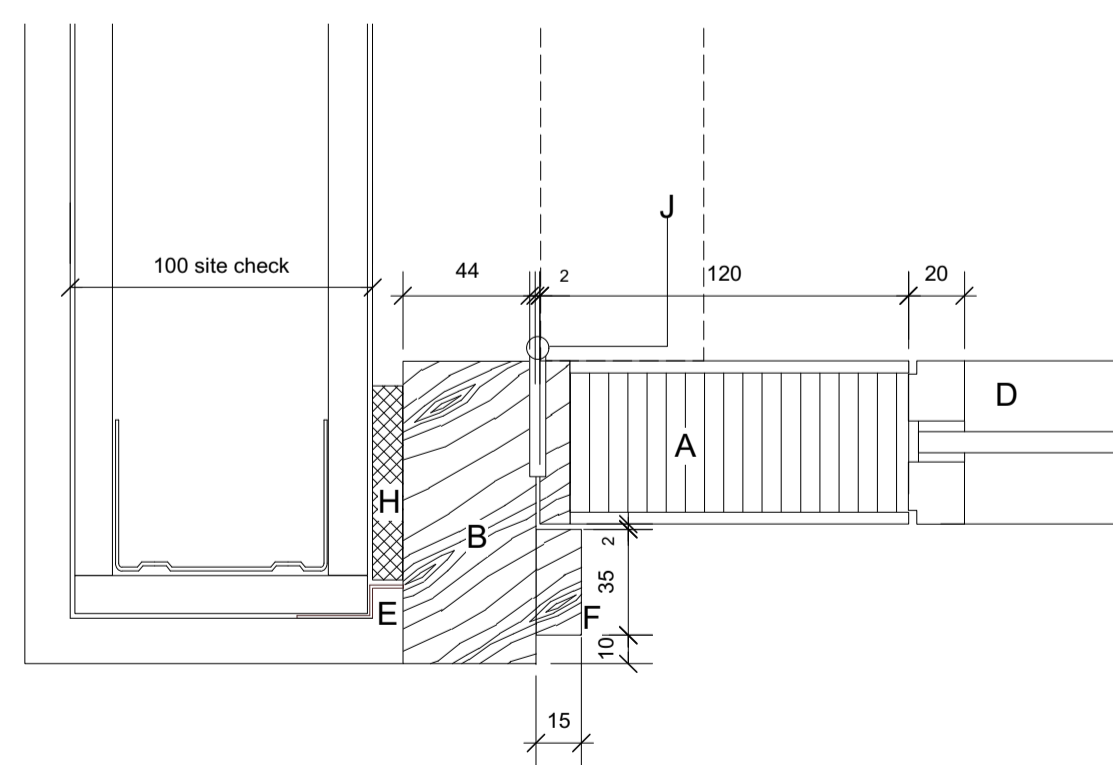
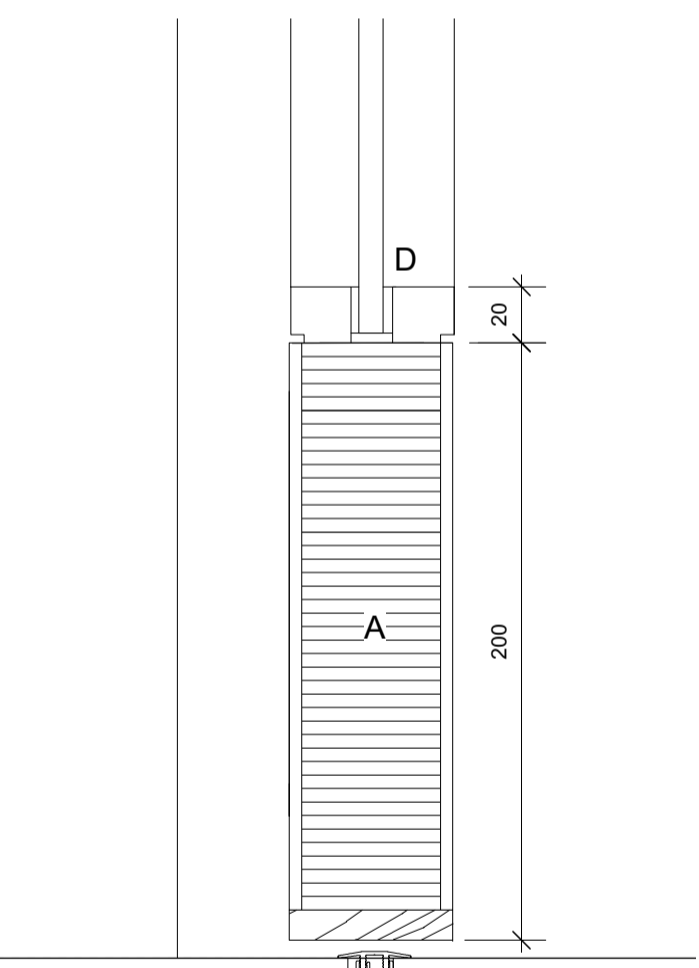
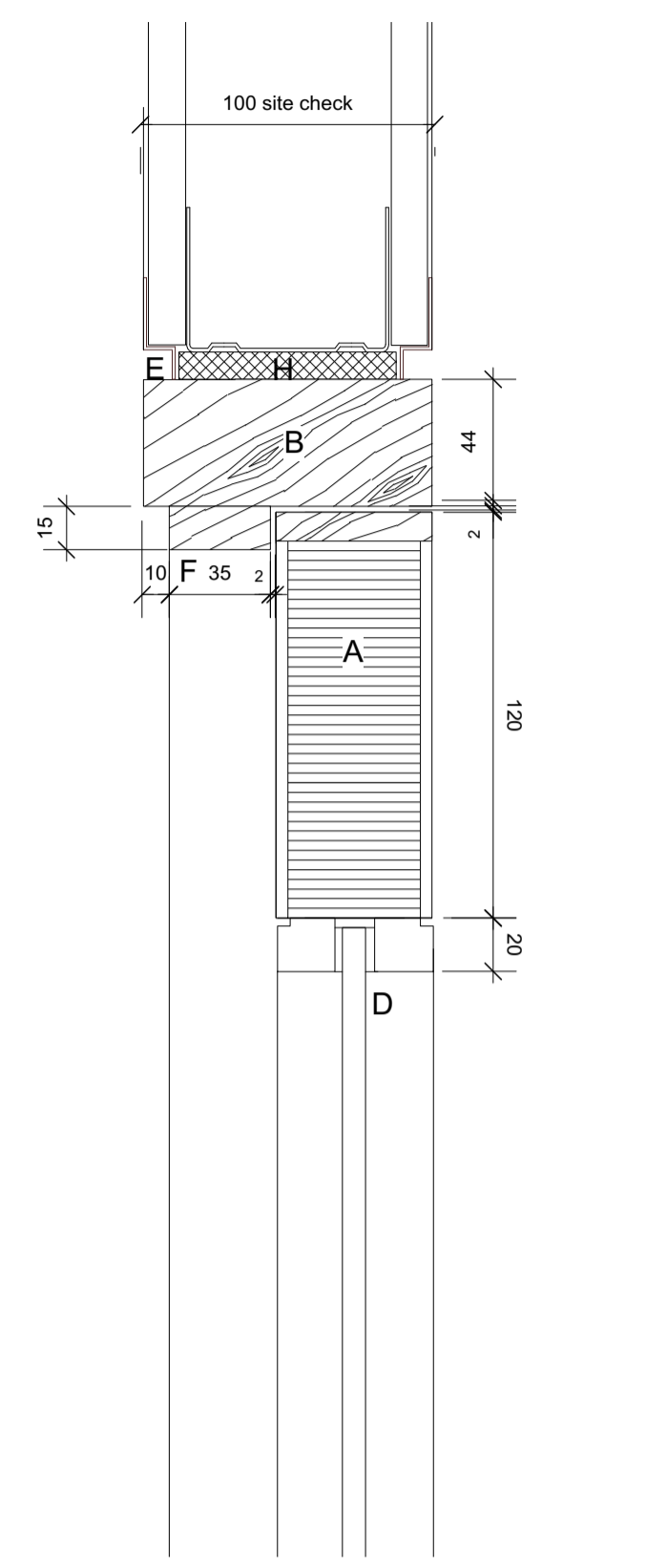
General note :
Door and frame sizes illustrated are the typical arrangement. All existing door openings to be site surveyed prior to manufacture.

VENEERED SWING DOORS WITH VISION PANELS (MAIN ENTRANCE DOORS)
DOOR LEAF: FD30S, 54mm thick solid door with Smoked Oak veneered faces and lippings. See Spec. code - L20/274
FRAME: Smoked Oak frame - see Spec. L20/330
IRONMONGERY: Refer to 3V Ironmongery specification
DIMENSIONS: Refer to EVT 207_sD_01
ALL DIMENSIONS TO BE SITE CHECKED PRIOR TO MANUFACTURE

- A** 54mm thick solid core door (FD30S), faced in Smoked Oak veneer, with 12mm solid lipping to sides.
- B** 44mm thk Smoked Oak frame (site check wall thickness to suit)
- C** Proprietary fire and smoke seal. To match colour of timber door. Manufacturer to provide fire test certification.
- D** Glazed vision panel, with 20mm x 20mm solid Smoked oak beads with 3mm x 3mm quirks and to sit flush with the faces of the door
- E** BG106 Styletrim Edge reveal
- F** 15 x 35mm solid Smoked Oak stop beads
- G** 1200mm high brushed stainless steel back-to-back mitred pull handles, as 3V ironmongery specification
- H** Packer
- J** Stainless steel butt hinges, as 3V ironmongery specification



01 Proposed Doors - Type E
Scale 1:10@A1



02 Proposed Door Type E - Typical Jamb details
Scale 1:2.5@A1

03 Proposed Door Type E - Typical Head/Threshold details
Scale 1:2.5@A1

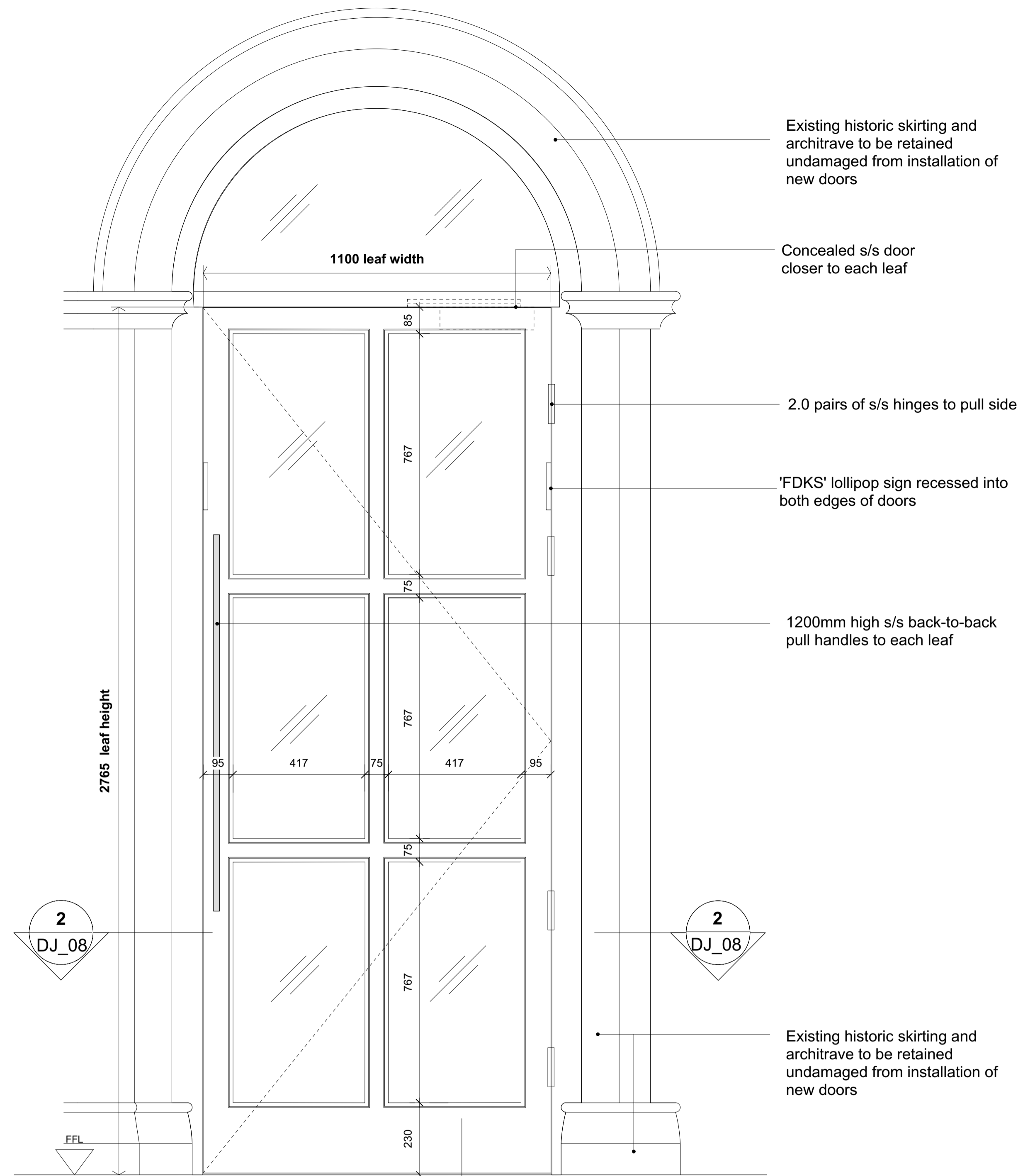
<small>All dimensions to be checked on site prior to commencement of any works, and/or preparation of any shop drawings. Scale of and dimensions to any structural or services elements are indicative only. See structural and service engineers drawings for actual sizes / dimensions. This drawing to be read in conjunction with all other Architect's drawings, specifications and other Consultants' information. All proprietary systems shown on this drawing are to be installed strictly in accordance with the Manufacturers/Suppliers recommended details. Any discrepancies between information shown on this drawing and any other contract information or manufacturers/suppliers recommendations is to be brought to the attention of the Architect.</small>	Revision	Date	Amendment	Date	Project	Job Ref.
	P1	29.01.16	Issued For Listed Building Consent Application	January 2016	163 - 203 Eversholt St, Euston	EVT 207
				Scale	Drawn	Check
				1:2/10@A1	DP	MH
				Status	Client Ref	Drwg. no.
				PLANNING	-	207 (PL) 05
				Architect	Hale Brown Architects Ltd	Rev.
					Unit 3 Phoenix Wharf, Eel Pie Island, Twickenham, TW1 3DY T: 020 8977 6946 E: mail@halebrown.com W: www.halebrown.com	P1

General note :
Door and frame sizes illustrated are the typical arrangement. All existing door openings to be site surveyed prior to manufacture.

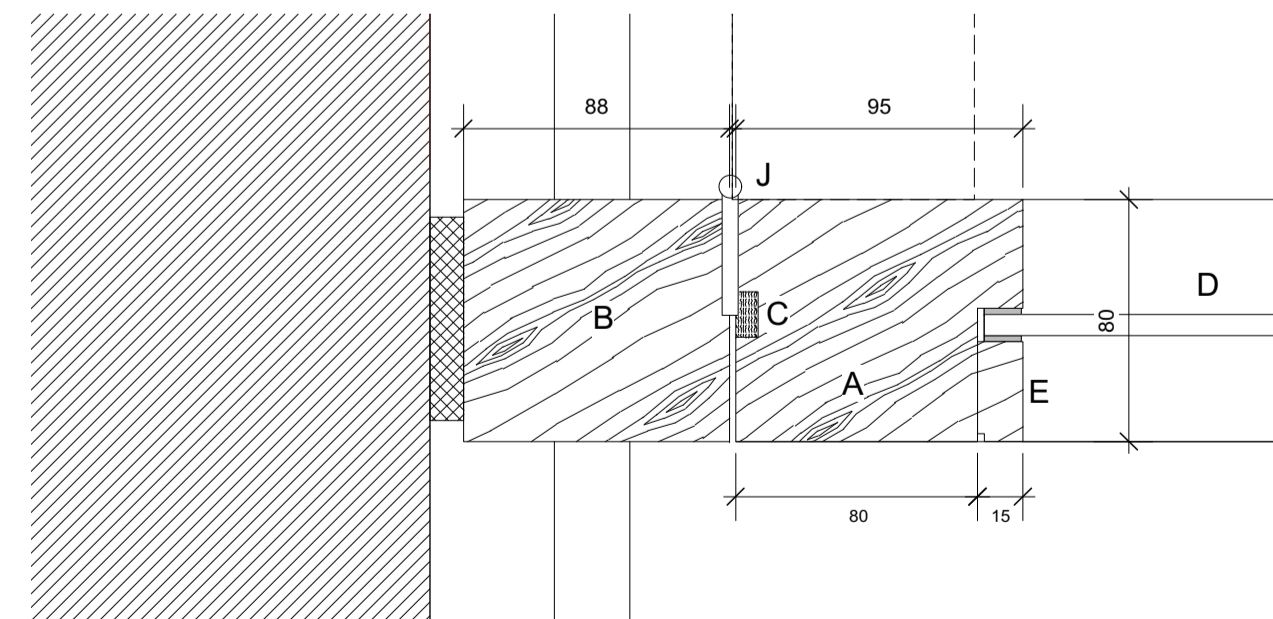
**SOLID SWING DOORS WITH GLAZED PANELS
(MAIN STAIRCASE DOOR)**

DOOR LEAF: FD30S, 80mm thick solid Smoked oak door. See Spec. code - L20/275
FRAME: Smoked Oak frame - see Spec. L20/330
IRONMONGERY: Refer to 3V Ironmongery specification
DIMENSIONS: Refer to OTH 189_sD_01
ALL DIMENSIONS TO BE SITE CHECKED PRIOR TO MANUFACTURE

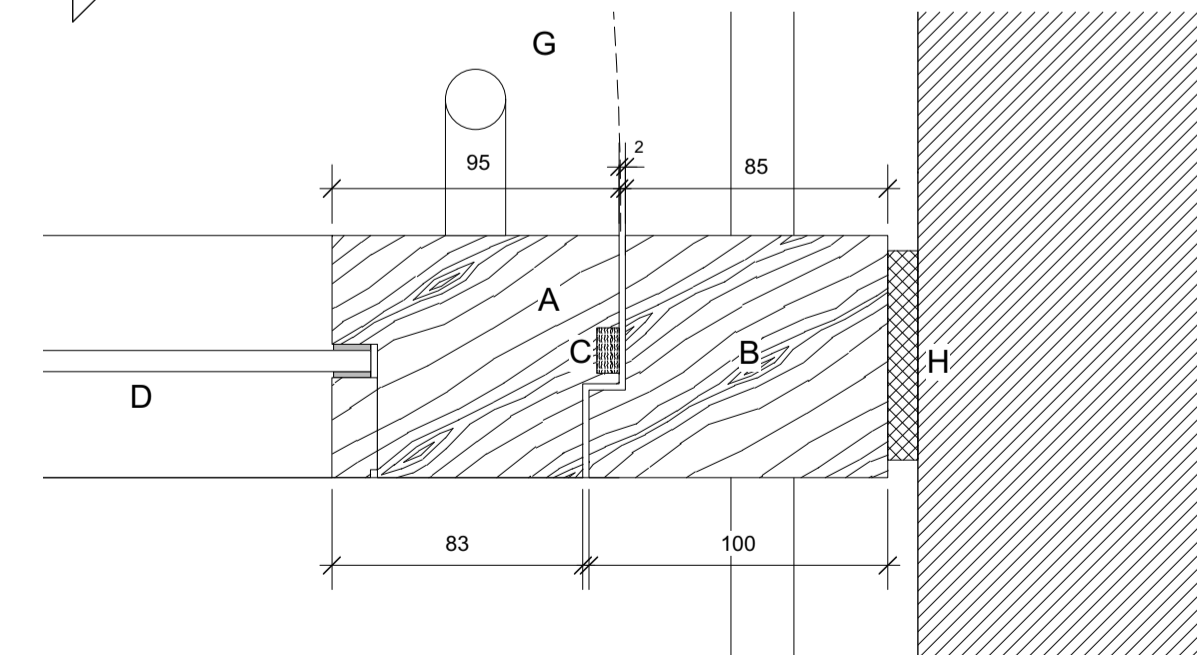
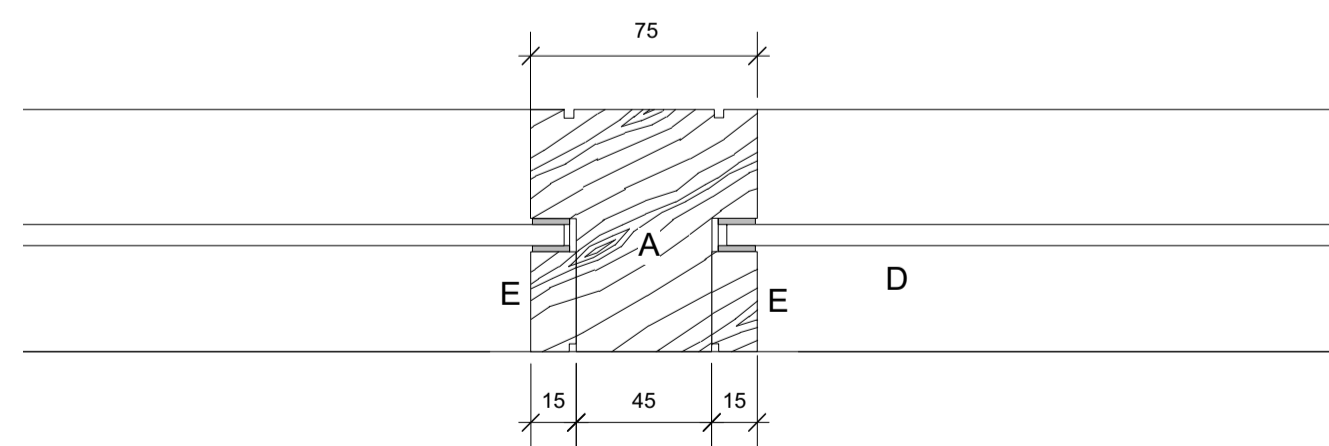
- A** 95mm x 80mm thick solid Smoked oak door (FD30S)
- B** 85 x 80mm thk solid Smoked Oak frame (site check wall thickness to suit)
- C** Proprietary fire and smoke seal. To match colour of timber door. Manufacturer to provide fire test certification.
- D** Glazed vision panels (Pyran 7mm) with
- E** 35mm x 15mm solid Smoked oak beads with 3mm x 3mm quirks and to sit flush with the faces of the door
- F** 15 x 35mm solid Smoked Oak stop beads
- G** 1200mm high brushed stainless steel back-to-back mitred pull handles, as 3V ironmongery specification
- H** Packer
- J** Stainless steel butt hinges, as 3V ironmongery specification



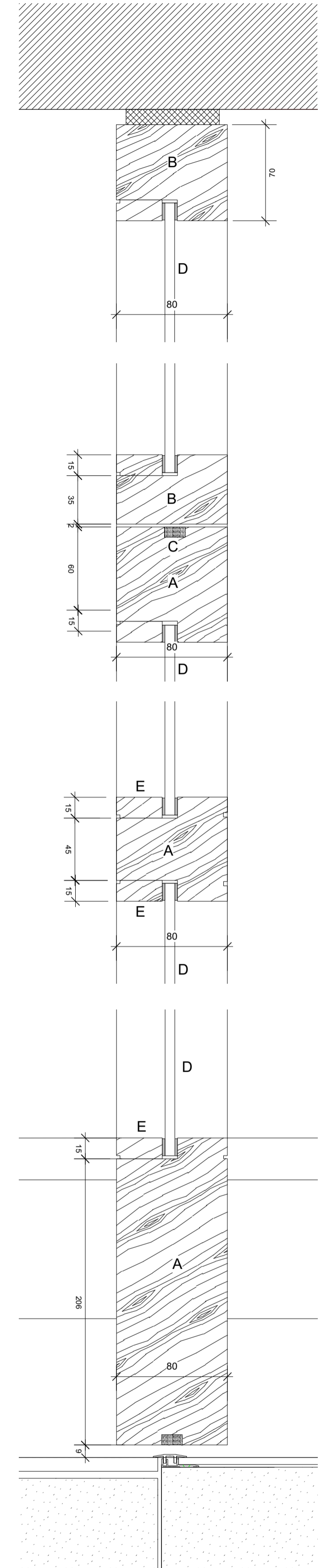
01 Proposed Doors - Type G
Scale 1:10@A1



02 Proposed Door Type G - Typical Jamb details
Scale 1:2.5@A1



03 Proposed Door Type G - Typical Head/Threshold details
Scale 1:2.5@A1



All dimensions to be checked on site prior to commencement of any works, and/or preparation of any shop drawings.
Scale of and dimensions to any structural or services elements are indicative only. See structural and services engineers drawings for actual sizes / dimensions.
This drawing to be read in conjunction with all other Architects drawings, specifications and other Consultants' information.
All proprietary systems shown on this drawing are to be installed strictly in accordance with the Manufacturers/Suppliers recommended details.
Any discrepancies between information shown on this drawing and any other contract information or manufacturers/suppliers recommendations is to be brought to the attention of the Architect.

Revision	Date	Amendment
P1	29.01.16	Issued For Listed Building Consent Application

Date	January 2016	Project	163 - 203 Eversholt St, Euston	Job Ref.	EVT 207
Scale	1:2/10@A1	Drawn	MP	Check	MH
Status	PLANNING	Client Ref	-	Drwg. no.	207 (PL) 06
Architect			Hale Brown Architects Ltd Unit 3 Phoenix Wharf, Eel Pie Island, Twickenham, TW1 3DY T: 020 8977 6946 E: mail@halebrown.com W: www.halebrown.com		