

**BALUSTRADE TYPE A**

LOCATION: ALL FLOORS  
 NO OF BALUSTRADES: 27  
 SUPPLIER:  
 PERIMETER DIMS: 1112mm(h) x 2014mm(w)

**BALUSTRADE TYPE B**

LOCATION: ALL FLOORS  
 NO OF BALUSTRADES: 18  
 SUPPLIER:  
 PERIMETER DIMS: 1112mm(h) x 1178mm(w)

**BALUSTRADE TYPE C**

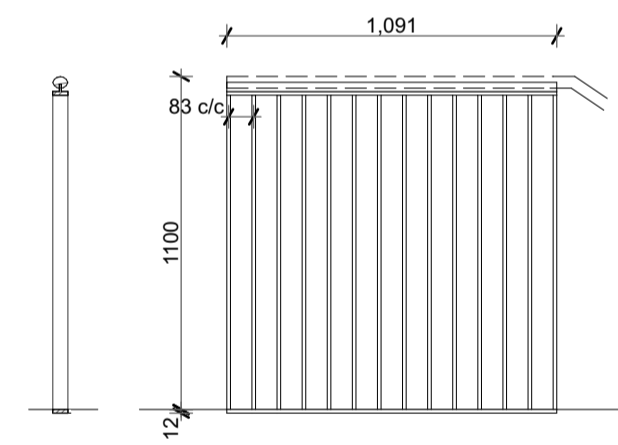
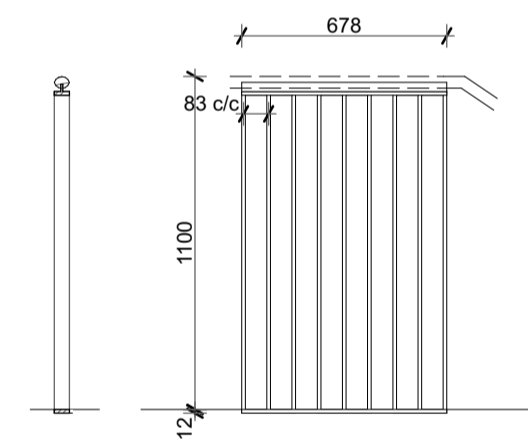
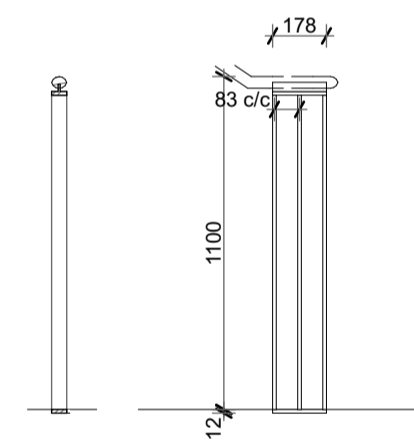
LOCATION: ALL FLOORS  
 NO OF BALUSTRADES: 5  
 SUPPLIER:  
 PERIMETER DIMS: 1112mm(h) x 3178mm(w)

**BALUSTRADE TYPE D**

LOCATION: 5F  
 NO OF BALUSTRADES: 1  
 SUPPLIER:  
 PERIMETER DIMS: 1112mm(h) x 2431mm(w)

**BALUSTRADE TYPE E**

LOCATION: 5F  
 NO OF BALUSTRADES: 1  
 SUPPLIER:  
 PERIMETER DIMS: 2911mm(h) x 1180mm(w)



**BALUSTRADE TYPE F**

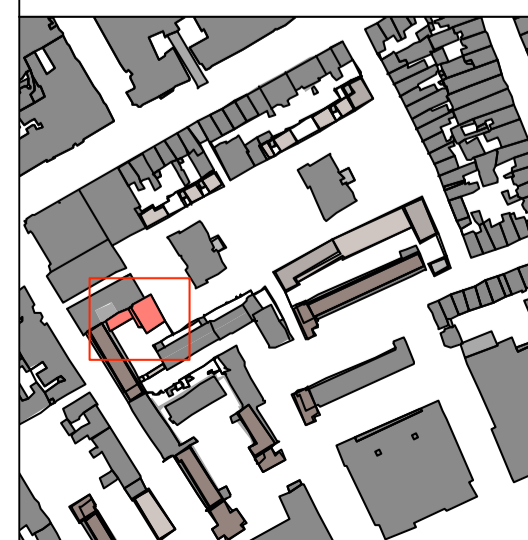
LOCATION: ALL FLOORS  
 NO OF BALUSTRADES: 7  
 SUPPLIER:  
 PERIMETER DIMS: 1112mm(h) x 178mm(w)

**BALUSTRADE TYPE G**

LOCATION: 2F  
 NO OF BALUSTRADES: 2  
 SUPPLIER:  
 PERIMETER DIMS: 1112mm(h) x 678mm(w)

**BALUSTRADE TYPE H**

LOCATION: 4F  
 NO OF BALUSTRADES: 1  
 SUPPLIER:  
 PERIMETER DIMS: 1112mm(h) x 1091mm(w)



REV	DATE	DESCRIPTION	GENERAL NOTES
/	11/12/15	PACKAGE 4 TENDER ISSUE	- PLEASE REFER TO SPECIFICATION SECTION L30 FOR ALL FINISHES - PLEASE REFER TO DWG 1211_Z3_251-258 GA PLANS AND 1211_Z3_251-253 ELEVATIONS FOR POSITIONING - ALL BALUSTRADE REFERENCES TO BE CHECKED BY CONTRACTOR PRIOR TO PRICING.
A	18/12/15	ISSUED FOR PLANNING CONDITION DISCHARGE	

The data contained in this document includes proprietary rights of mae. Any party in receipt of the document shall receive and hold the same in confidence and agrees not to duplicate or otherwise reproduce the document in whole or in part, nor disclose the contents of the same without the written consent of mae.

The data contained in this document includes proprietary rights of mae. Any party in receipt of the document shall receive and hold the same in confidence and agrees not to duplicate or otherwise reproduce the document in whole or in part, nor disclose the contents of the same without the written consent of mae.

1 Narraj Street London WC1X 0GB  
 +44 (0)20 7704 6060  
 office@mae-llp.co.uk  
 mae-llp.co.uk

CLIENT	
Durkan	
PROJECT NAME	
Tybalds Estate	
PROJECT NO.	STATUS
1211	Tender
DRAWING NAME	
Devonshire Staircore Balustrade schedule	
SCALE	DATE
1:25 @ A1	18/12/2015
DRAWN BY	CHECKED BY
DRAWING NO.	REV
1211_Z3-705	A

