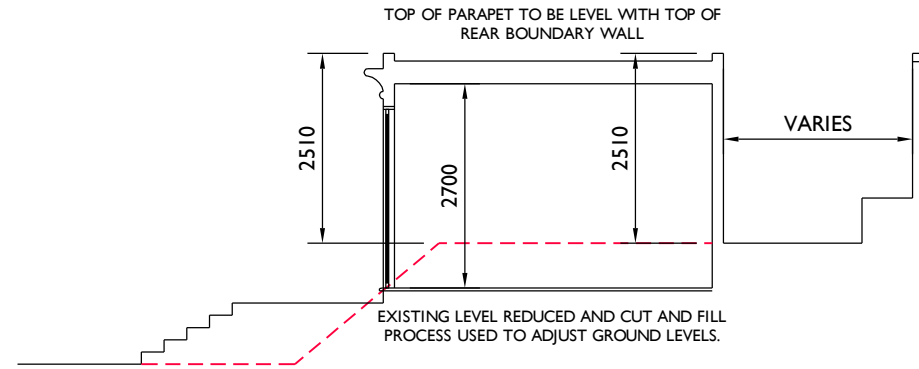
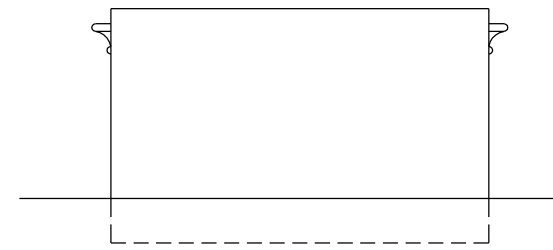


GARDEN ELEVATION - NORTH



SECTION



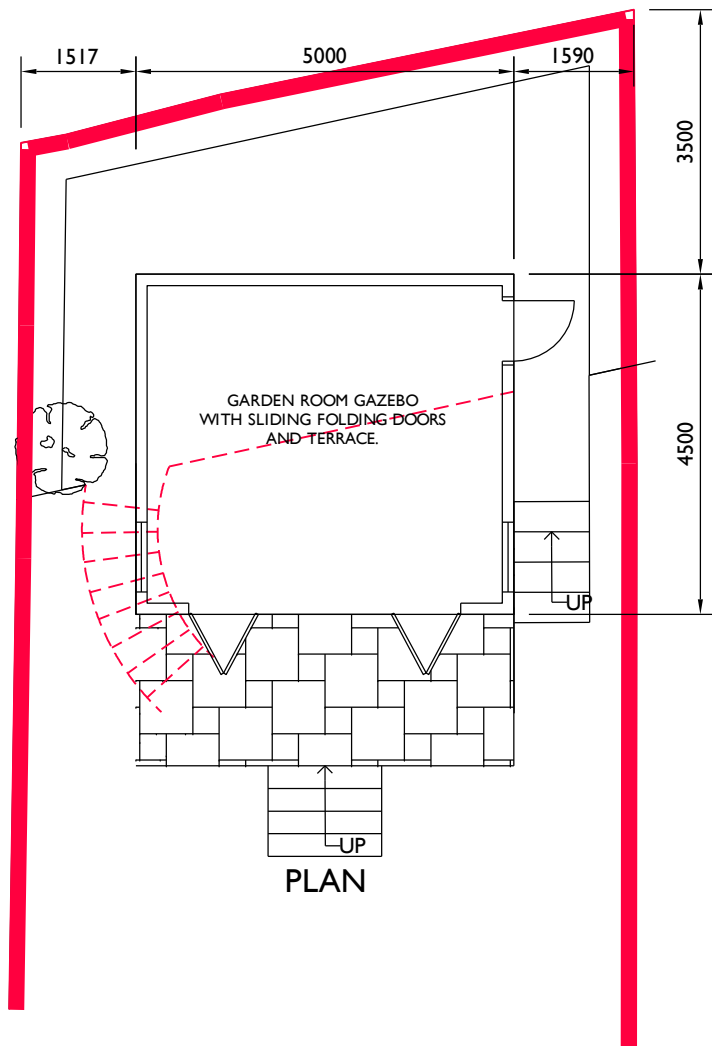
REAR ELEVATION - SOUTH



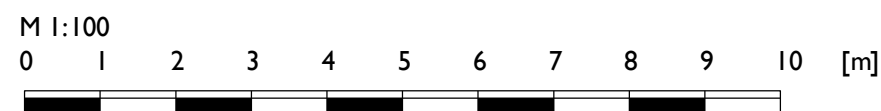
SIDE ELEVATION - WEST



SIDE ELEVATION - EAST



PLAN



NOTES

THIS DRAWING MAY NOT BE REPRODUCED IN ANY PART OR FORM WITHOUT THE WRITTEN AUTHORITY OF THE ARCHITECT.

REV	DESCRIPTION	DATE
-----	-------------	------

TONY OKE
ARCHITECT

Coombe House
9 Holly Lea, Jacobswell
Guildford, Surrey, GU4 7PG

T: +44 (0) 1483 516629

E: tony@tonyokearchitect.com

Project
PROSHOT SIMULATION
2 KEATS GROVE
HAMPSTEAD
LONDON NW3 2RT

Subject
DESIGN DRAWING
AS PROPOSED

Drawing Number	Revision
2015 - 11 - 04	A

Scale	Date
1/100 @ A3	APRIL 2015
Drawn By	COPYRIGHT ©
AGO	