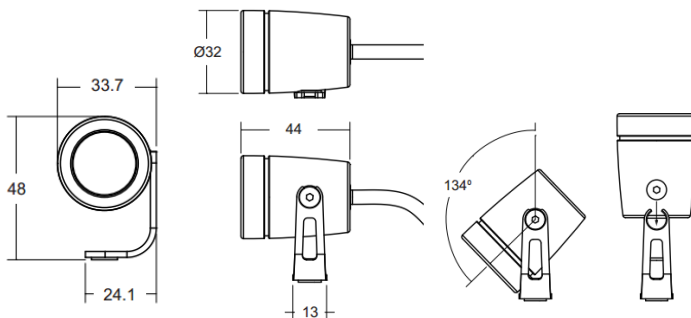


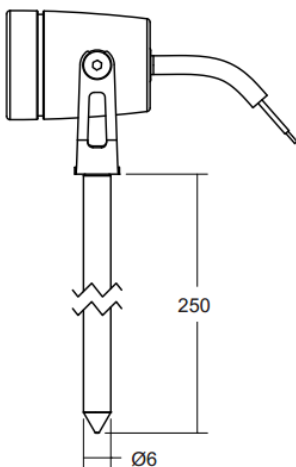
# LD51



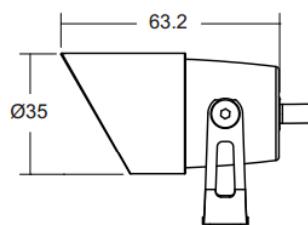
IP67 



The pivot bracket is lockable with the supplied allen key



/GS Ground Spike  
Stainless steel and powder-coated to match the body.



/CO Anti Glare Cowl  
With the aid of an 'O' ring the cowl is securely fitted to the LD51. This allows it to be rotated to hide glare.

## General Information

The LD51 is an IP67 miniature low glare surface mounted LED Spot. It delivers very high light output for its size and is ideal for garden/planter lighting and accent lighting, e.g., on beams.

They are rated IP67 making them suitable for interior or exterior applications.

Two accessories are available: A glare cowl which can be rotated to hide glare from odd angles, and a soil spike which is ideal for garden/planter lighting.

Other features include the ability to change optics with a screw on bezel.

It's performance is the same as the LD82. The differences are the fixing method, the knuckle detail, cowl detail and IP rating.

## Output Options:

- 1.2W LED at 350mA
- 1.7W LED at 500mA
- 2.4W LED at 700mA

## Lamp Options:

- Warm White (3000k)
- Cool White (5000k)
- Blue
- Green
- Red
- Amber

## Lens Options

- 12° narrow spot
- 31° medium
- 48° wide
- 36° x 12° oval beam

## Accessories

- /CO Cowl
- /GS Ground Spike (250mm as standard)

## Finishes

- Silver Anodised
- Black Anodised
- Powder coated white

## Driver Options

Use with 350mA, 500mA or 700mA constant current LED Drivers. 1-10V, DMX, DALI and Mains dimmable or non-dim.

## Notes

- Wire in series and observe correct polarity
- Do not wire 'live'

Beam Angles	12°, 31°, 48°, 36° x 12°					
LED type	1 x Cree XPG					
Colour temperature	3000K			5000K		
Drive Current (mA)	350	500	700	350	500	700
LED power* (W)	1.2W	1.7W	2.4W	1.2W	1.7W	2.4W
CRI (typical)	93	93	93	80	80	80
Forward voltage	3.0V	3.2V	3.4V	3.0V	3.2V	3.4V
Delivered lumens (L <sub>100</sub> )	70	94	111	94	135	150
Lumens per circuit watt**	58	55	46	78	79	62

LED lifetime (to 70% lumen maintenance) 50,000hrs at a max ambient temperature of 35°C (if specifying fitting in ambient temperatures of up to 45°C run at 500mA max, LD51-500)

Materials Anodised aluminium body with stainless steel fixing bracket. Optional stainless steel ground spike and anodised aluminium cowl

Glass 3mm thick borosilicate

Wiring Comes pre-wired with 2 core 500mm lead, can be specified with up to 10m at extra cost

IP rating IP67

\*LED watts allows for 85% efficient driver

\*\*data shown allows for an ambient temperature of 35°C

