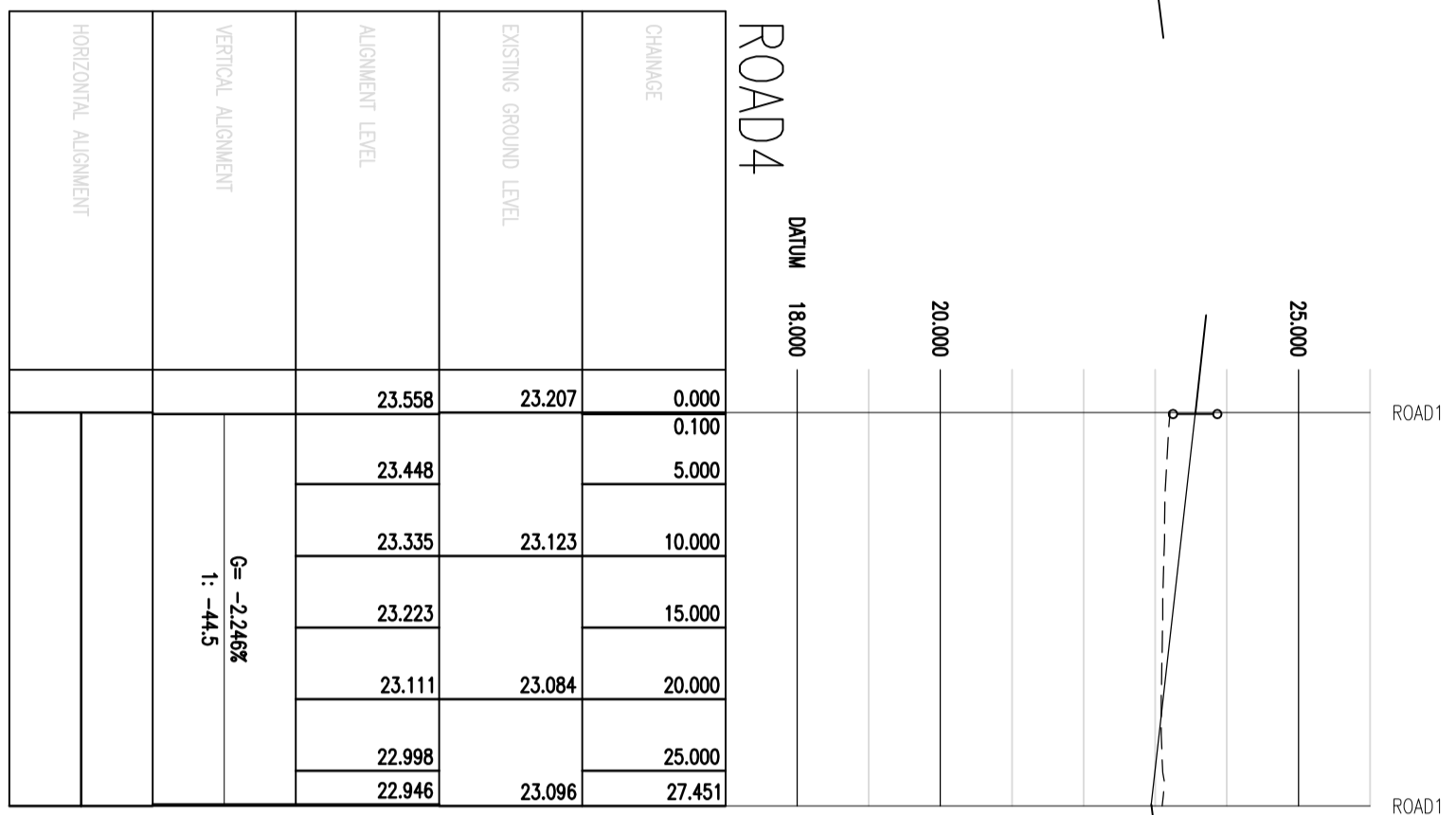
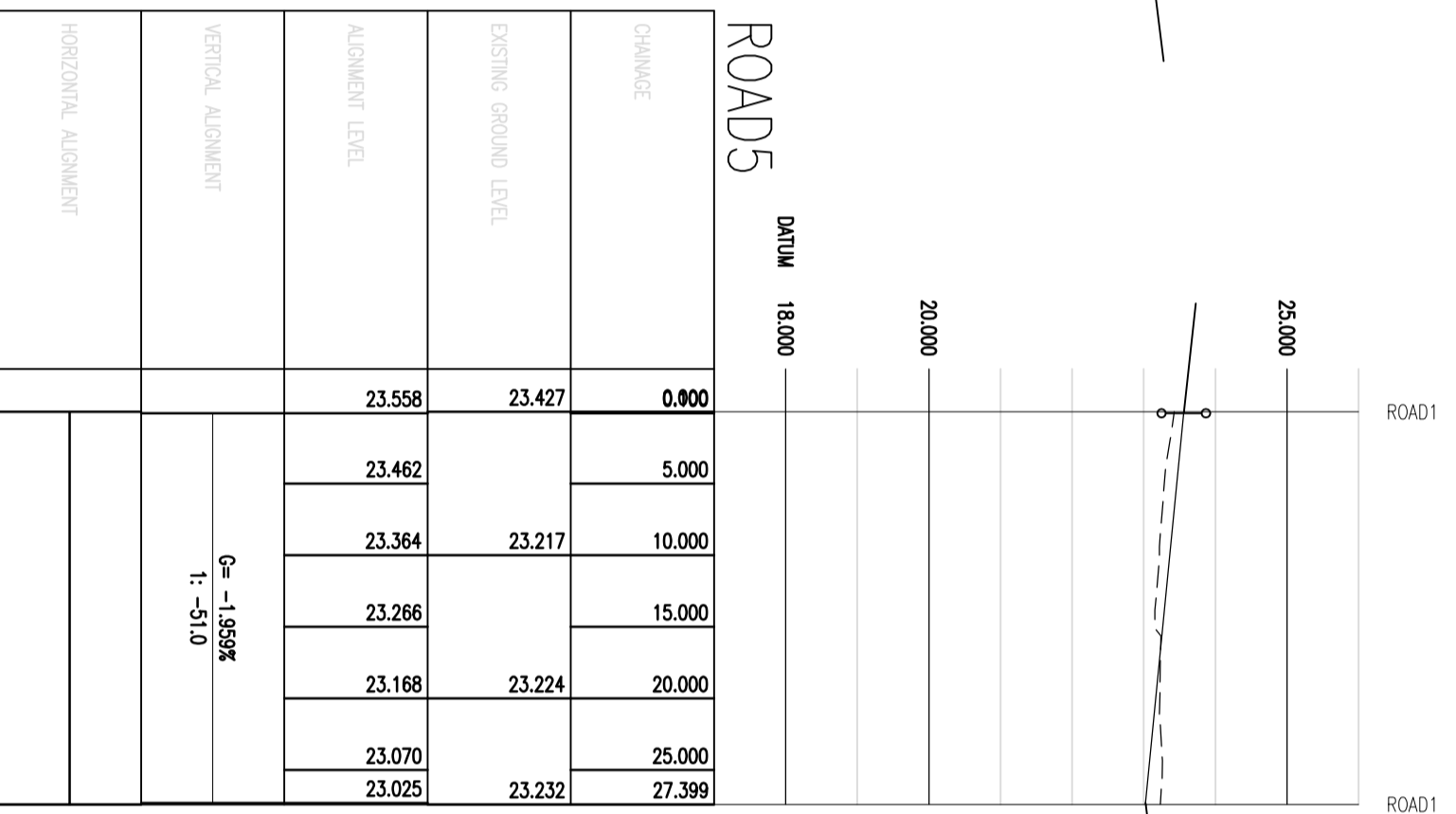


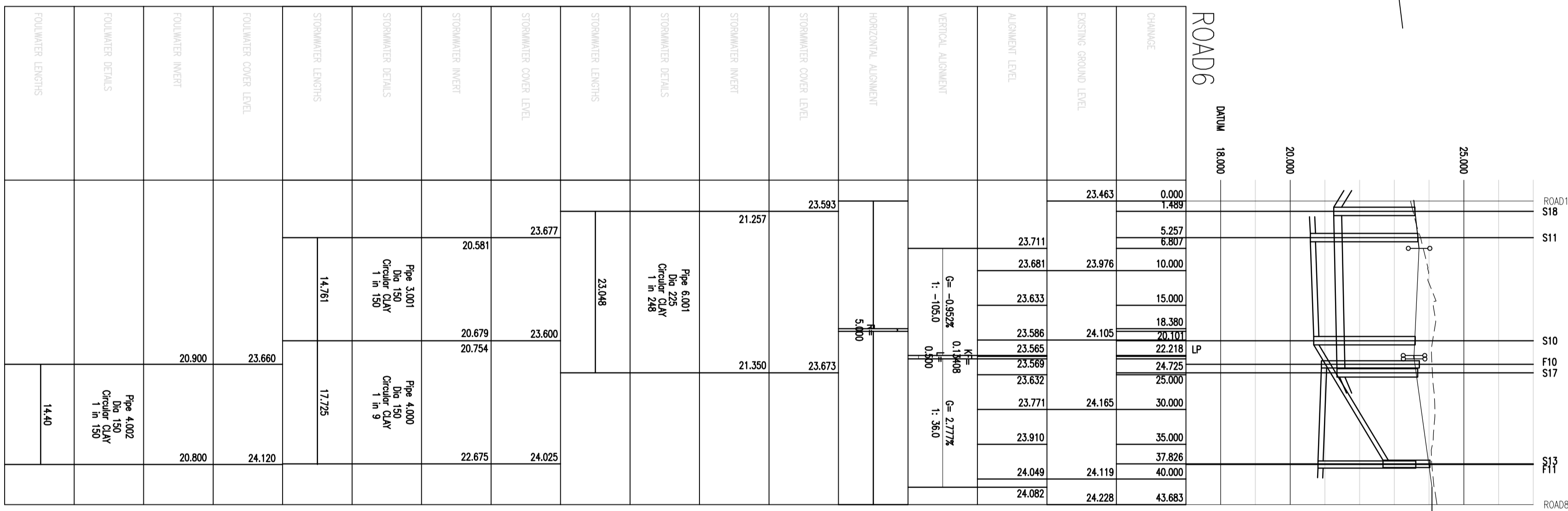
CHANGE	EXISTING GROUND LEVEL	ALIGNMENT LEVEL	VERTICAL ALIGNMENT	HORIZONTAL ALIGNMENT	STODAMETER COVER LEVEL	STODAMETER INVERT	STODAMETER DETAILS
	23.253	23.558			22.707	20.301	Pipe 1.003 Dia 225 Circular C/PV 1 in 24
		23.501			22.753	20.241	
		22.605			22.822	20.166	
		22.679				20.132	Pipe 1.004 Dia 300 Circular C/PV 1 in 15
		22.765					
		22.851					
		22.937					
	23.180	22.978					



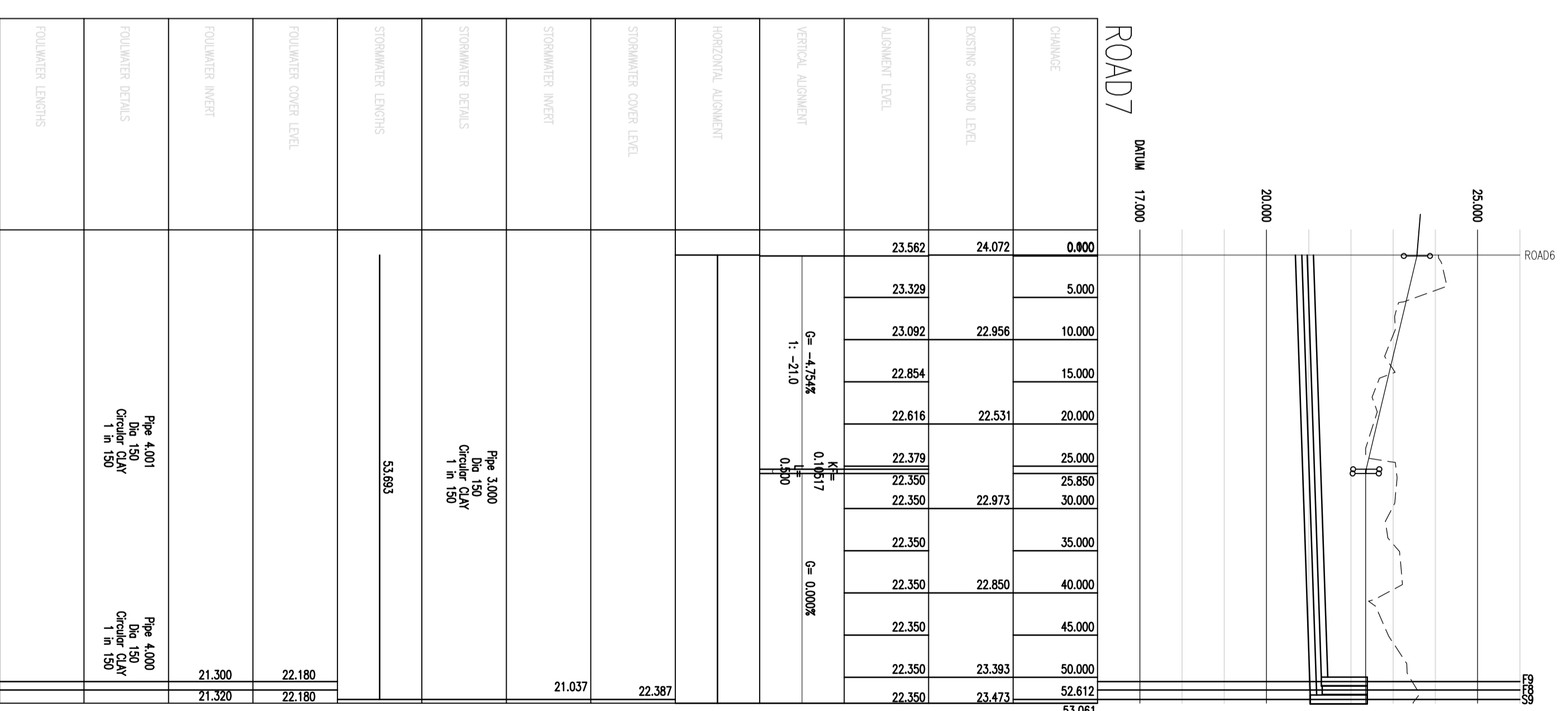
CHANGE	EXISTING GROUND LEVEL	ALIGNMENT LEVEL	VERTICAL ALIGNMENT	HORIZONTAL ALIGNMENT	STODAMETER COVER LEVEL	STODAMETER INVERT	STODAMETER DETAILS
	23.207	23.558			22.707	20.301	Pipe 1.003 Dia 225 Circular C/PV 1 in 24
		23.448			22.753	20.241	
		23.335			22.822	20.166	
		23.223				20.132	Pipe 1.004 Dia 300 Circular C/PV 1 in 15
		23.111					
		22.998					
	23.084	22.946					



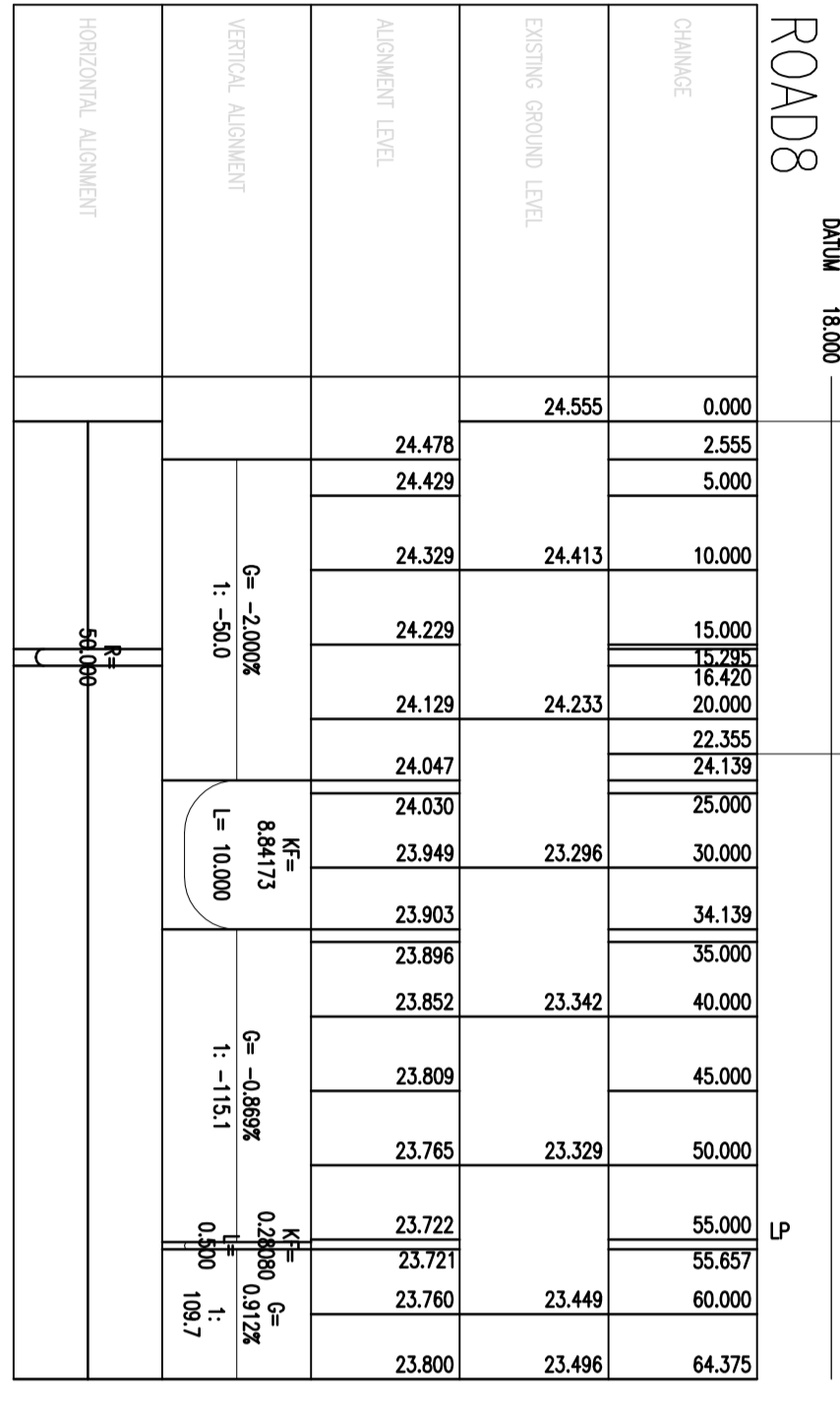
CHANGE	EXISTING GROUND LEVEL	ALIGNMENT LEVEL	VERTICAL ALIGNMENT	HORIZONTAL ALIGNMENT	STODAMETER COVER LEVEL	STODAMETER INVERT	STODAMETER DETAILS
	23.217	23.558			22.707	20.301	Pipe 1.003 Dia 225 Circular C/PV 1 in 24
		23.462			22.753	20.241	
		23.364			22.822	20.166	
		23.266				20.132	Pipe 1.004 Dia 300 Circular C/PV 1 in 15
		23.168					
		23.070					
	23.224	23.025					



CHANGE	EXISTING GROUND LEVEL	ALIGNMENT LEVEL	VERTICAL ALIGNMENT	HORIZONTAL ALIGNMENT	STODAMETER COVER LEVEL	STODAMETER INVERT	STODAMETER DETAILS
	23.976	23.463			23.593	21.257	Pipe 3.001 Dia 150 Circular C/PV 1 in 150
		5.257			23.600	20.581	
		6.807			23.677	20.679	
		10.000			23.677	20.754	
		18.380			24.025	22.675	Pipe 4.001 Dia 150 Circular C/PV 1 in 9
		20.101					
		22.218					
		24.725					
		25.000					
		25.569					
		23.632					
		23.771					
		23.910					
		24.049					
	24.228	24.082					



CHANGE	EXISTING GROUND LEVEL	ALIGNMENT LEVEL	VERTICAL ALIGNMENT	HORIZONTAL ALIGNMENT	STODAMETER COVER LEVEL	STODAMETER INVERT	STODAMETER DETAILS
	22.956	23.562			22.387	21.037	Pipe 3.000 Dia 150 Circular C/PV 1 in 150
		23.329			22.387	21.037	
		23.092					
		22.854					
		22.616					
		22.379					
		22.350					
		22.350					
		22.350					
		22.350					
		22.350					
	23.393	23.473					



CHANGE	EXISTING GROUND LEVEL	ALIGNMENT LEVEL	VERTICAL ALIGNMENT	HORIZONTAL ALIGNMENT	STODAMETER COVER LEVEL	STODAMETER INVERT	STODAMETER DETAILS
	24.413	24.555			23.449	20.132	Pipe 1.003 Dia 225 Circular C/PV 1 in 24
		24.478			23.449	20.132	
		24.429			23.449	20.132	
		24.329			23.449	20.132	
		24.229			23.449	20.132	
		24.129			23.449	20.132	
		24.047			23.449	20.132	
		24.030			23.449	20.132	
		23.949			23.449	20.132	
		23.903			23.449	20.132	
		23.896			23.449	20.132	
		23.852			23.449	20.132	
		23.809			23.449	20.132	
		23.765			23.449	20.132	
		23.722			23.449	20.132	
		23.721			23.449	20.132	
		23.760			23.449	20.132	
	23.800	23.496			23.449	20.132	

C | PW | 03.11.15 | Drawing Status Changed
 B | PW | 28.09.15 | MNP Details added to Title Block
 A | PW | 11.09.15 | Client Details amended



mason navarro pledge

CLIENT
Durkan
 Tybald's Estate,
 Great Ormond Street,
 Holborn,
 London

Drawing Title
Longitudinal Sections
 Sheet 2

ISSUED FOR CONSTRUCTION

Drawn By: DJR
 Checked By: PW

Date: August 2015
 Scale: 1/500H x 1/100V @ A1

Draw No: 4766/03-02
 Rev: C