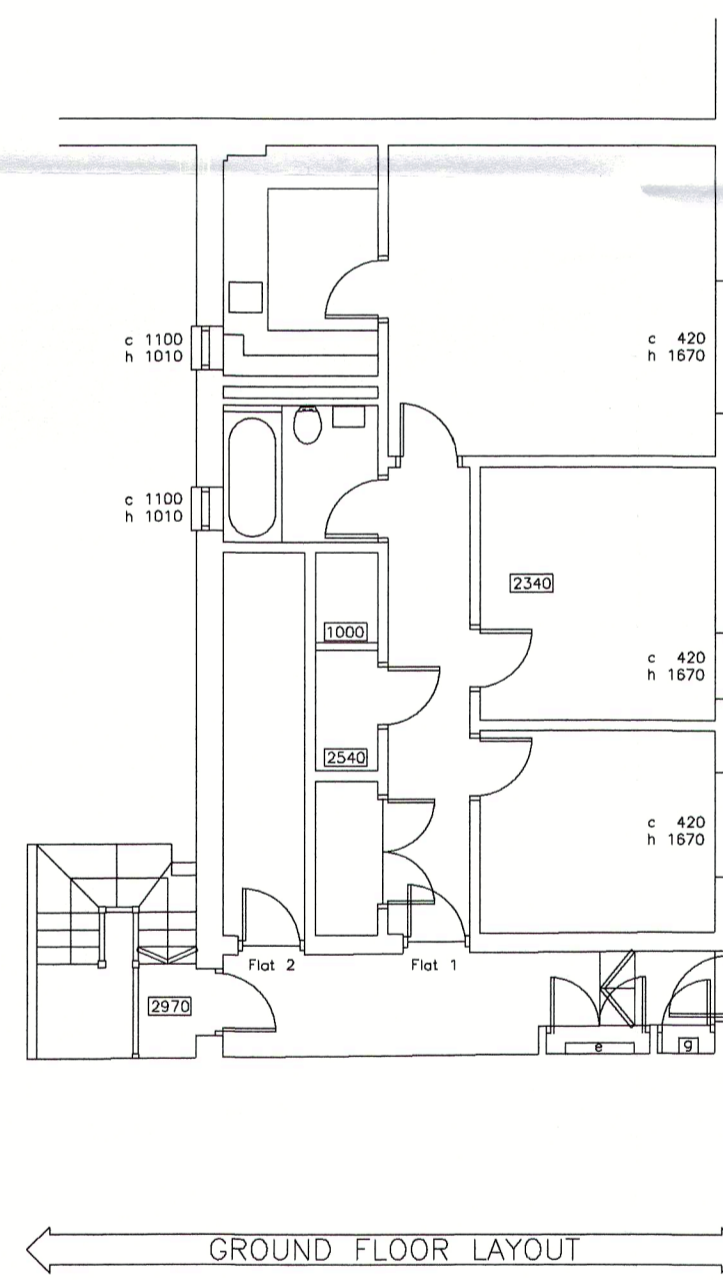
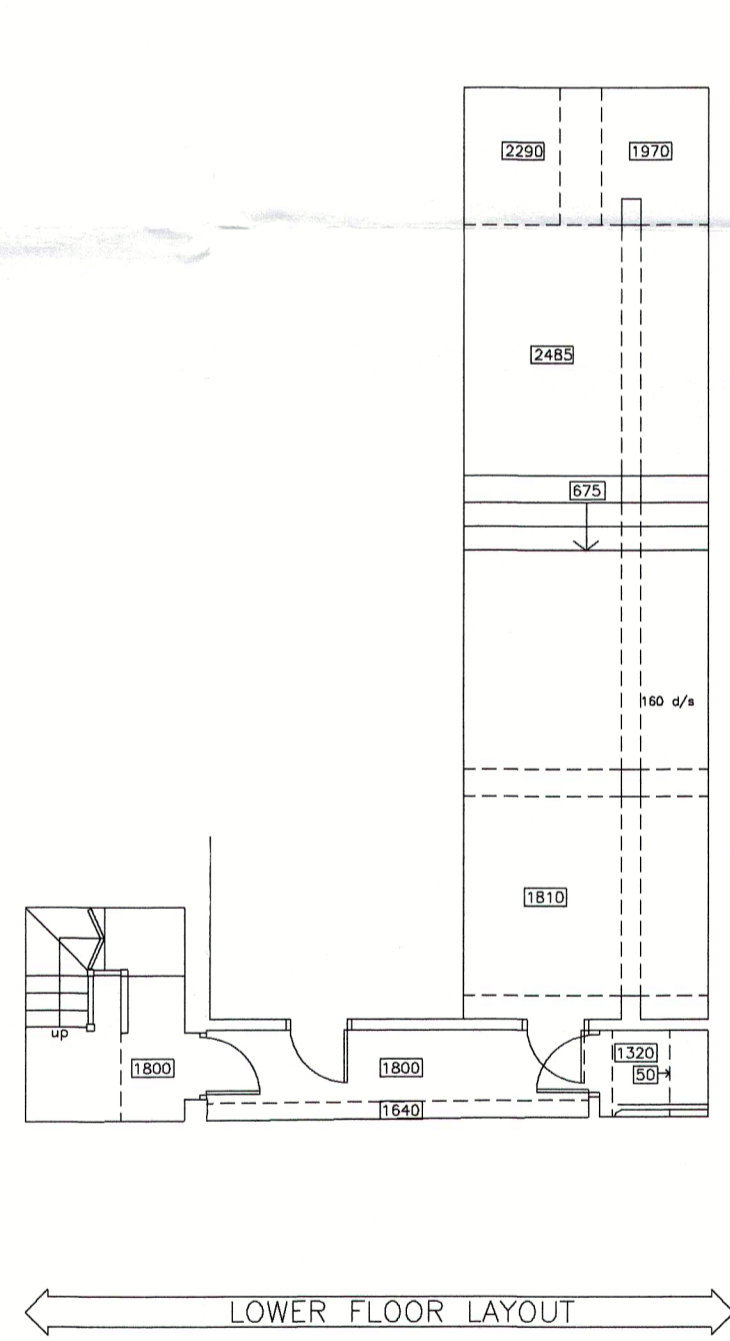
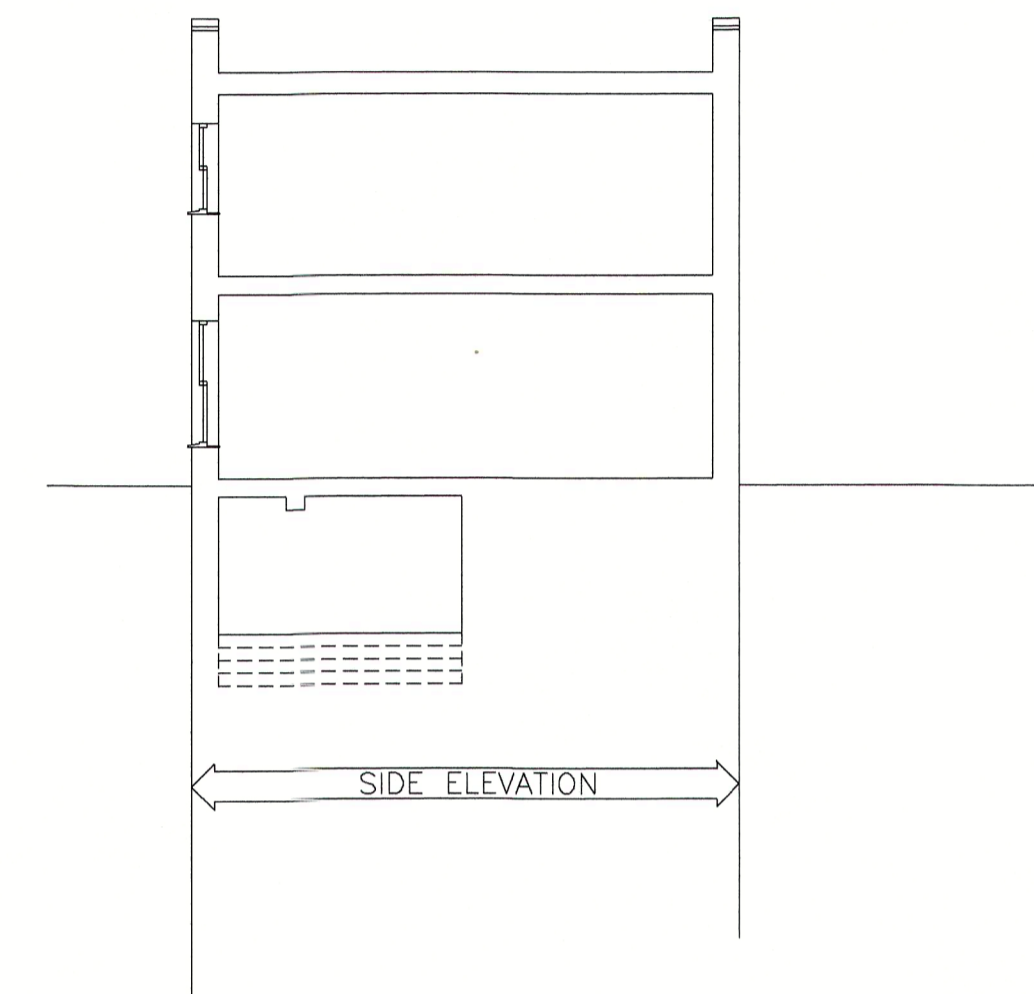
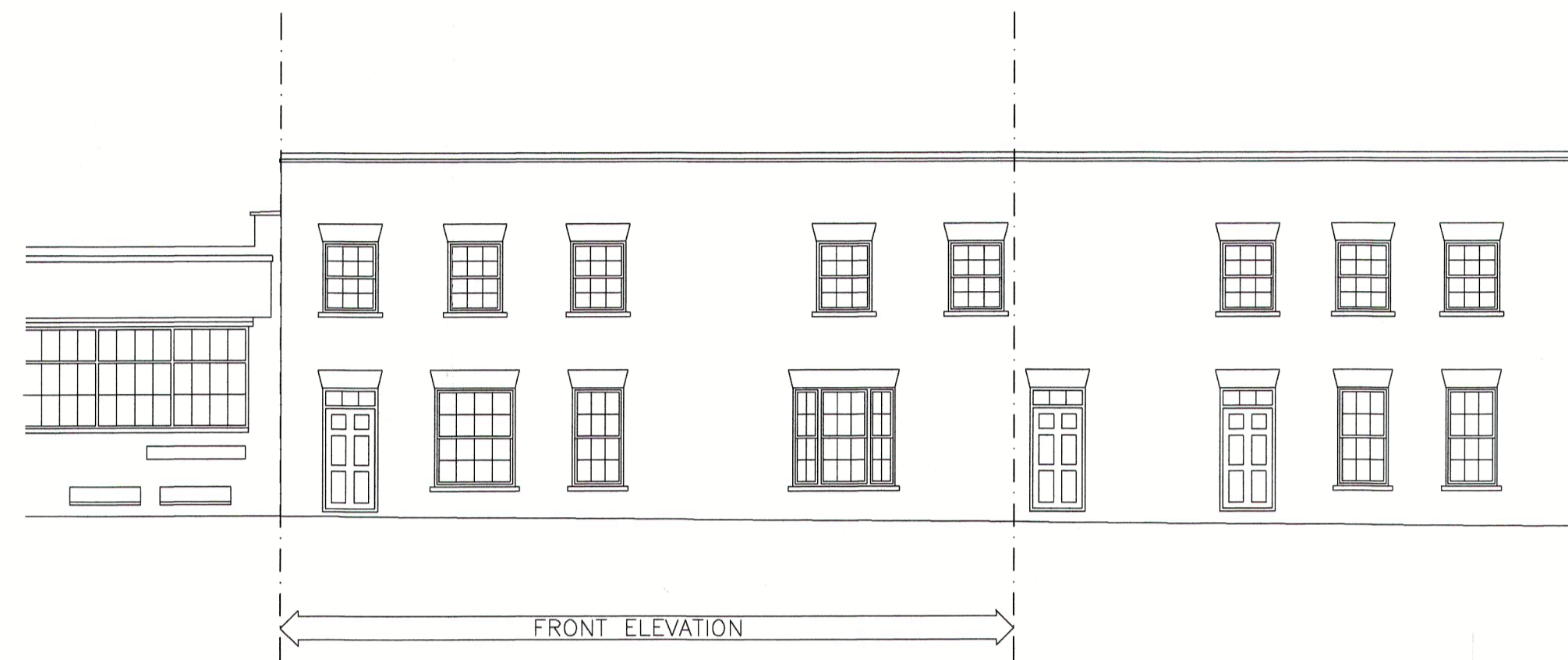


DO NOT SCALE FROM THIS DRAWING. CHECK ALL DIMENSIONS ON SITE.
IF INFORMATION IS NOT CLEAR OR CONSISTANT CONSULT DRAFTER.
THIS DRAWING IS COPYRIGHT.



Client:

Project Title:
3 Percy Mews
London W1T 1EX

Drawing Title:
Existing Floor Plans
and Elevations

Drawn: Date: 23.01.2015

Scale: 1:100 @ A1

Dwg.No.: **PM.01.01**