

3.3 FLUE MEASURING AND CUTTING



NOTE: FLUE LENGTH

▶ Do not exceed the maximum straight length for a horizontal 60/100mm flue or a 60mm plume management system (if used) as stated in the relevant Installation, Commissioning & Servicing Instructions manual or addendum.



Cutting the flue to an exact measurement is not normally required as the telescopic flue terminal can allow for some adjustment.

3.3.1 FLUE EXTENSION EXAMPLE



The terminal end projects beyond the outside wall by the distance shown in fig. 5

1. Measure the flue length L from the centre line of the flue turret, along the route of the flue system, to the face of the outside wall.
2. Select the required number of extensions and bends to achieve the require flue run.
3. If the flue requires cutting:
 - Set the telescopic flue length to 400mm.
 - Secure the joint with the screw and tape provided.
 - Subtract 400mm from the measured flue length L to determine the amount to be cut of an extension.

Maximum effective flue lengths	L max. (mm)
Greenstar Si, i Junior, i System & Ri Series	4600
Greenstar 30CDi System & Regular	7900
Greenstar 40CDi Regular	6000
Greenstar 27CDi	10000
Greenstar 30CDi	7000
Greenstar 37CDi	6500
Greenstar 42CDi	6000
British Gas 430i	7900
British Gas 532i	7000
British Gas 537i	6500
British Gas 542i	6000

Table 7 Maximum flue lengths

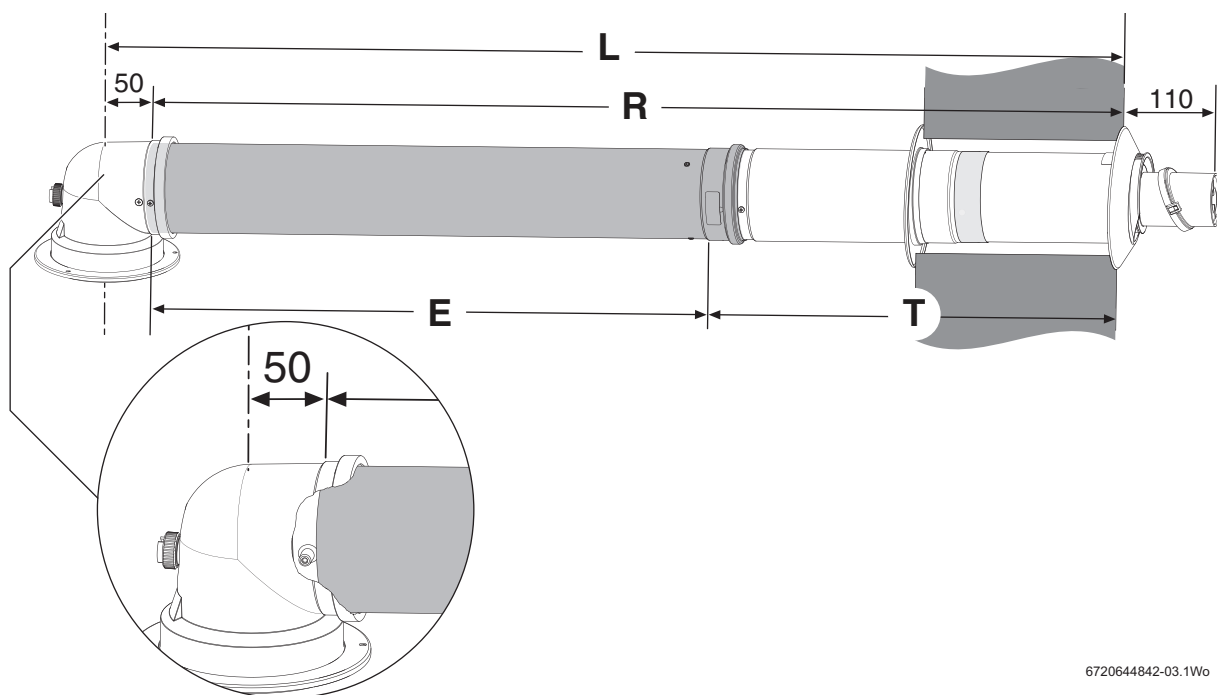


Fig. 5 Flue length determination

L	Effective length of the flue system
R	Actual length of the flue sections ($L - 50 = R$)
E	Extension flue length
T	Telescopic flue length

Table 8 Key to figure 5