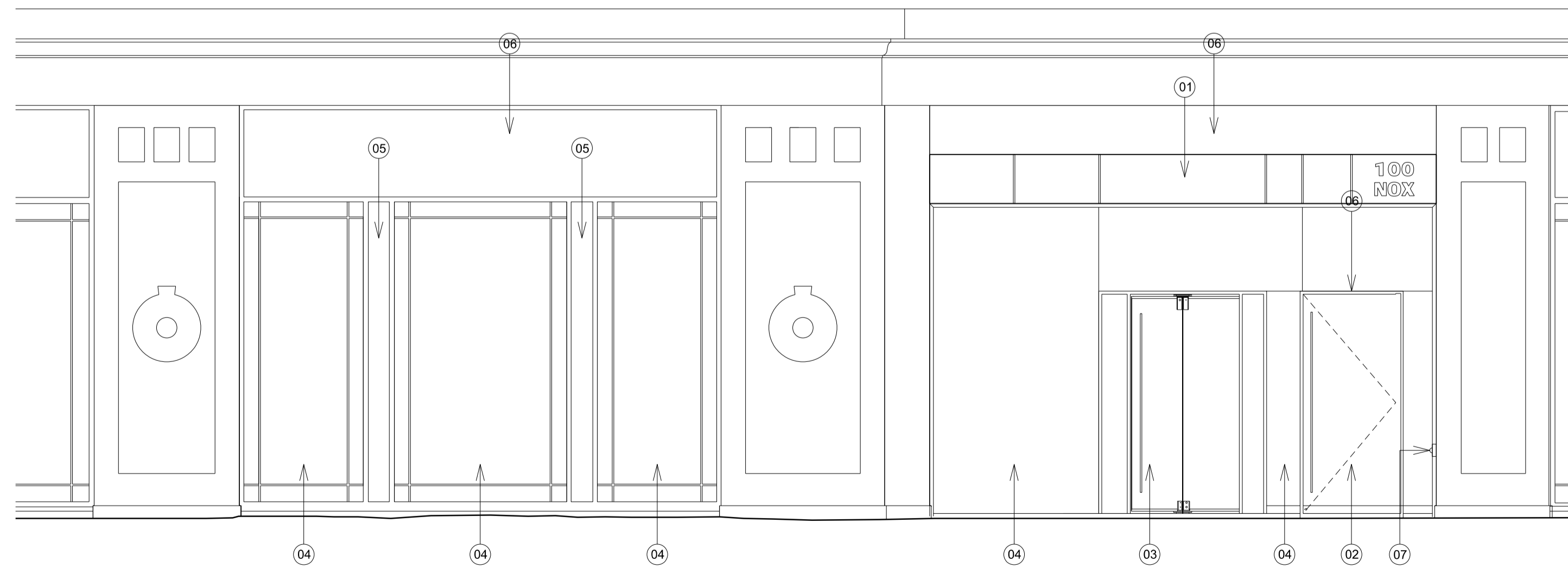
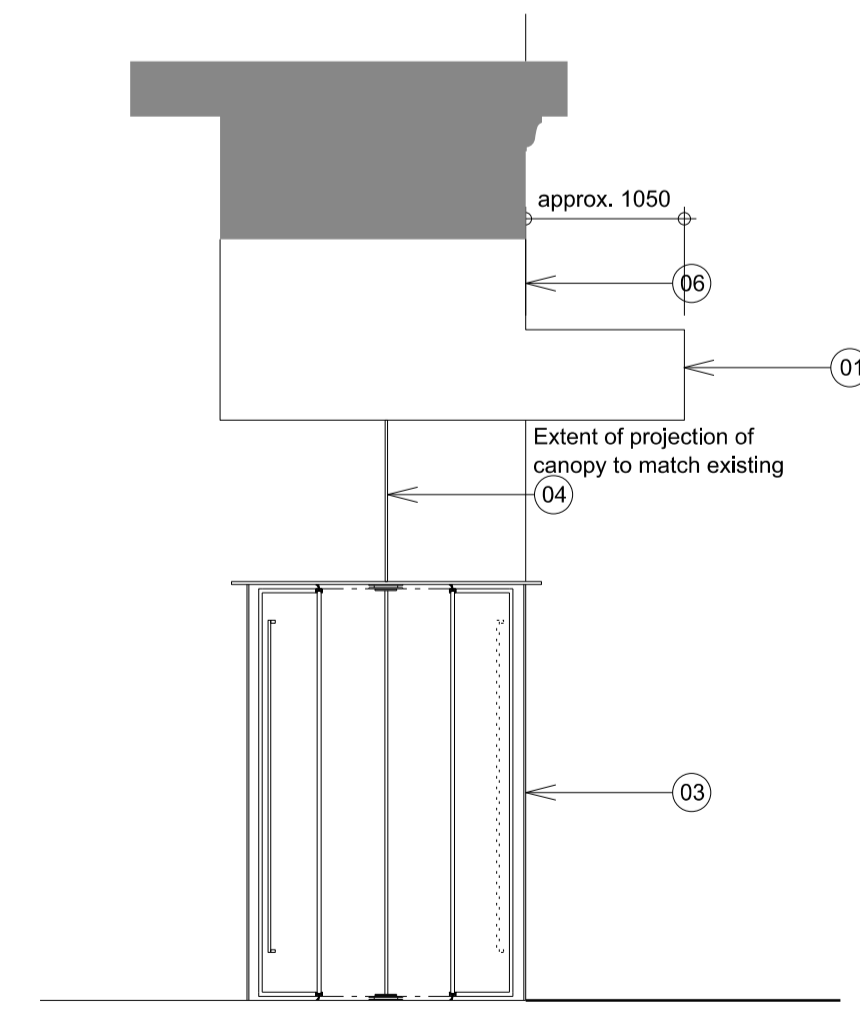


1 Plan



2 Front Elevation_Detail

- Key:
- 01 Canopy (dark metal structure to match existing)
 - 02 Entrance door (Clear glass, Wheelchair accessible)
 - 03 Revolving door (Clear glass with dark metal structure)
 - 04 Clear glass
 - 05 Dark metal frame
 - 06 Dark metal fascia
 - 07 Pedestal / Button to operate door



3 Section Entrance

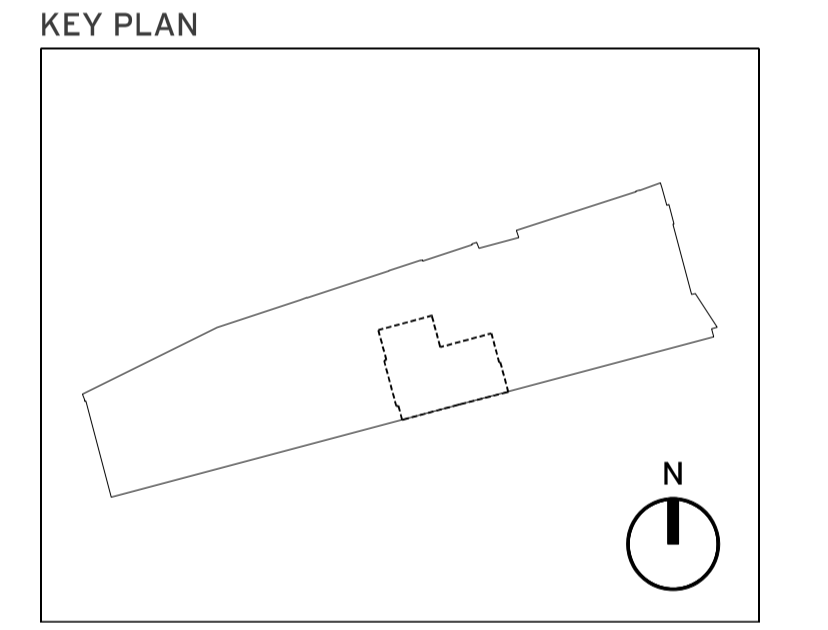
REVISIONS	BY	DATE	REV
Planning Draft	MO	30.09.15	/
Issued for Planning	MO	01.12.15	A
Issued for Planning; One entrance door removed, Pedestal / Button to door added	MO	04.01.16	B
Revolving door amended Issued for Planning; Button to door moved to wall	MO	05.01.16	C

NOTES

This drawing is the copyright of March & White Ltd. and may not be reproduced or used for any other purpose except by written permission. March & White rely on the expertise of third parties and does not warrant the accuracy of their information.

If unclear information or discrepancies exist between this drawing and other consultants, contractors, sub-contractors or site conditions, notify March & White immediately. Do not scale this drawing. All site dimensions to be confirmed prior to fabrication. Drawing to be read in conjunction with all issued March & White documentation.

March & White's design responsibility is limited to the design of the permanent works as constructed, in accordance with March & White's design. Methods of construction drawn depict the Design Intent. Contractor to verify construction methods and to construct the works to reflect the design intent, in accordance with current Building Regulations and Standards.



DESIGNER

MARCH & WHITE
INTERIORS ARCHITECTURE YACHTS

162 BUCKINGHAM PALACE ROAD
BELGRAVIA LONDON SW1W 9TR
+44 (0)20 7240 3464
WWW.MARCHANDWHITE.COM

PROJECT
**100 New Oxford Street
London**

CLIENT
Tishman Speyer

DRAWING TITLE
Plan & Elevation Proposed

SCALE A1	SCALE A3	DRAWN	DATE
1:50	1:100	MO	02.10.15
PROJ. NO.	DWG NO.	REV	
177	P101	C	