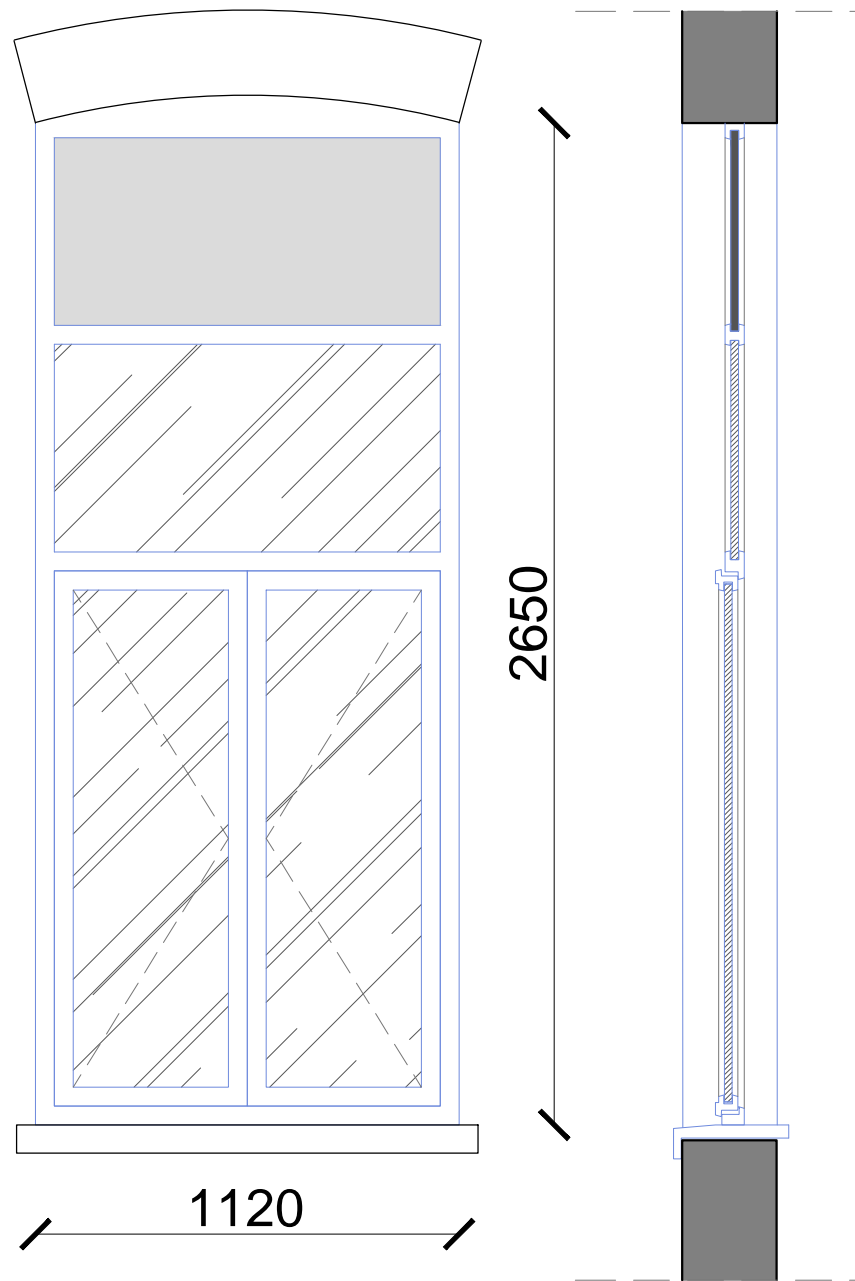
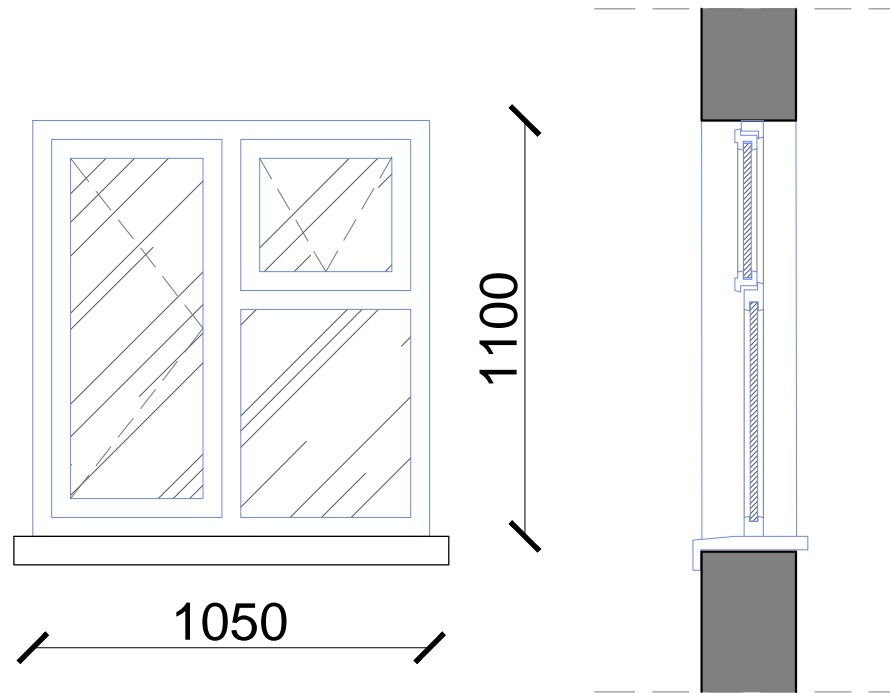


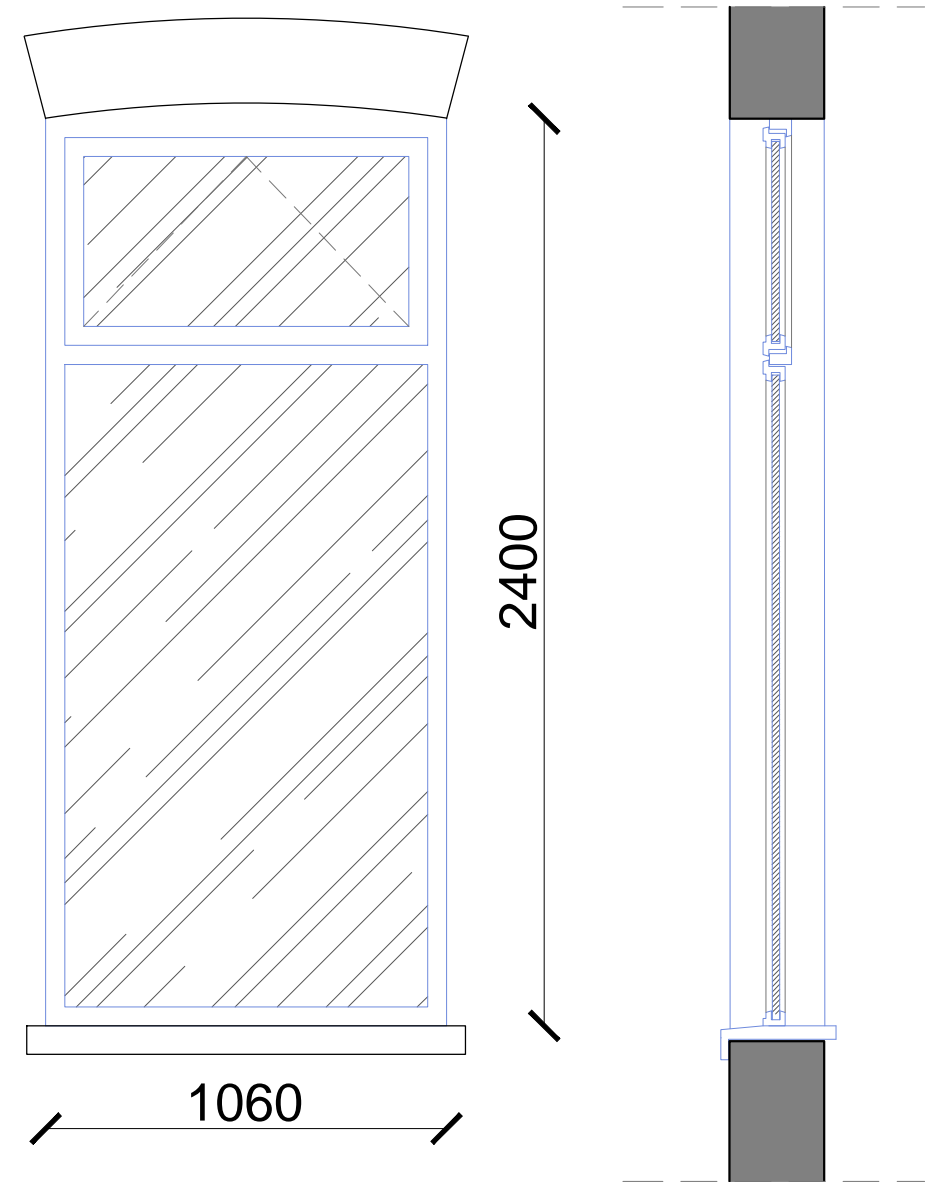
WINDOW NO 2:  
SINGLE GLAZED TIMBER FRAME



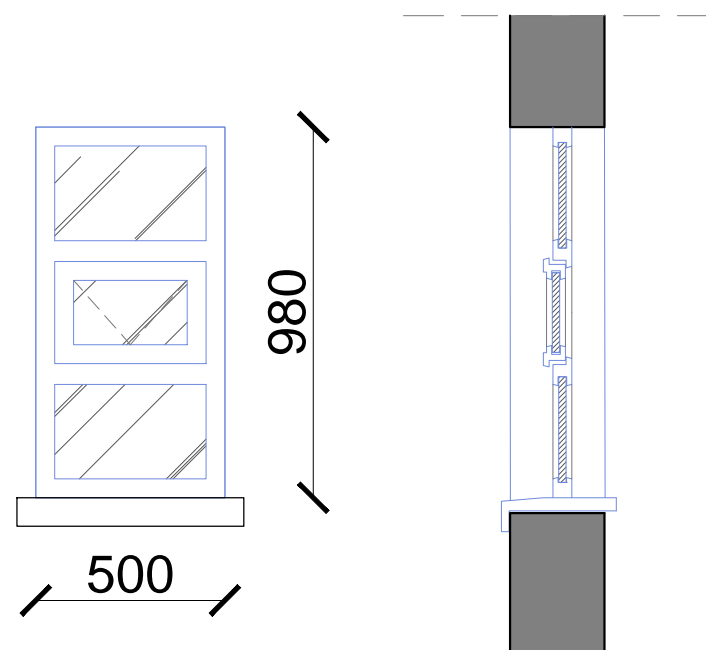
CRITTALL WINDOW NO 3:



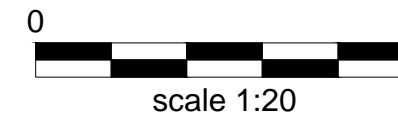
WINDOW NO 5:  
SINGLE GLAZED TIMBER FRAME



CRITTALL WINDOW NO 4:



- Notes
- 1- This drawing is not for construction;
  - 2- All Dimension are in millimeters;
  - 3- Dimensions are not to be scaled directly from drawings;
  - 4- All dimensions are to be checked on site and the Architect is to be inform of any discrepancies before construction commences;
  - 5- All references to drawings refer to current revision of that drawing;



CHANGE OF WINDOWS	
EXISTING WINDOWS SCHEDULE 2	
ADDRESS: 80C BELSIZE PARK GARDENS LONDON NW3 4NG	
CILENT: ALMAX GROUP	
DRAWN: DB	DRG NO: B002_04
SCALE: 1:20/ A3	DATE: JAN 2016
NOTES: - THIS DRAWING IS NOT TO BE USED FOR CONSTRUCTION	