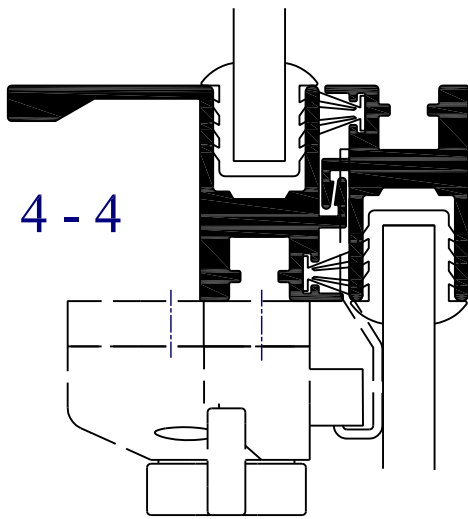
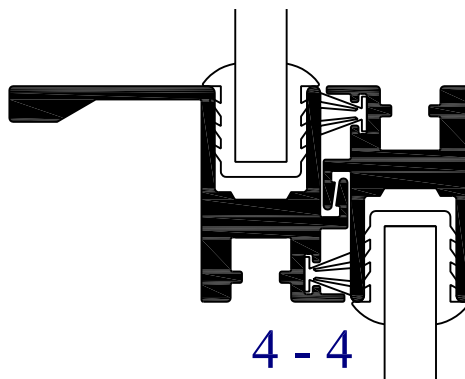


1 - 1

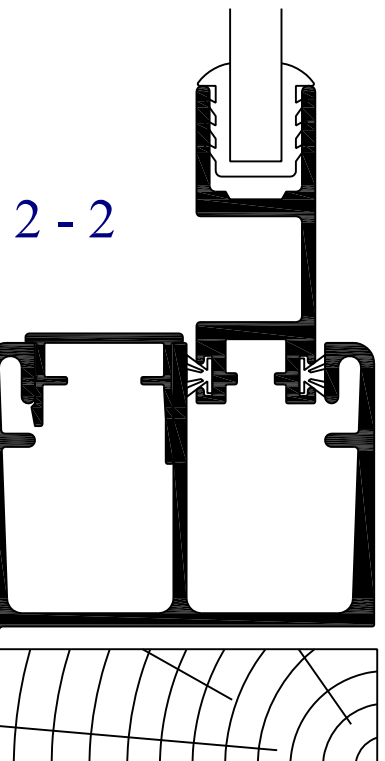


4 - 4

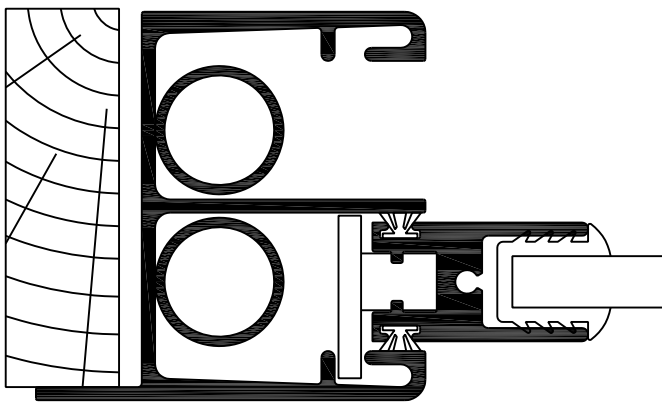


4 - 4

FITCH CATCH
OPTION



2 - 2



3 - 3

Drawings show standard 50 x 15mm softwood grounds with packing tolerance.
Selectaglaze Ltd. reserves the right to alter any of the sections without prior notice.

SCALE 1:1
(print without scaling)

DRAWN	DATE	ISSUE	AA	AB	AC			
S. THOMPSON	16-07-13	C.N.	13-037	14-030	14-032			
DESCRIPTION	SERIES 25 VERTICAL SLIDING UNIT							
This document is the property of Selectaglaze Ltd and full copyright is reserved			SHEET 1 OF 1 SHEETS		CAD FILE NAME	DS-225-AB.dwg		
			DATA SHEET NUMBER	DS-225			ISSUE AC	