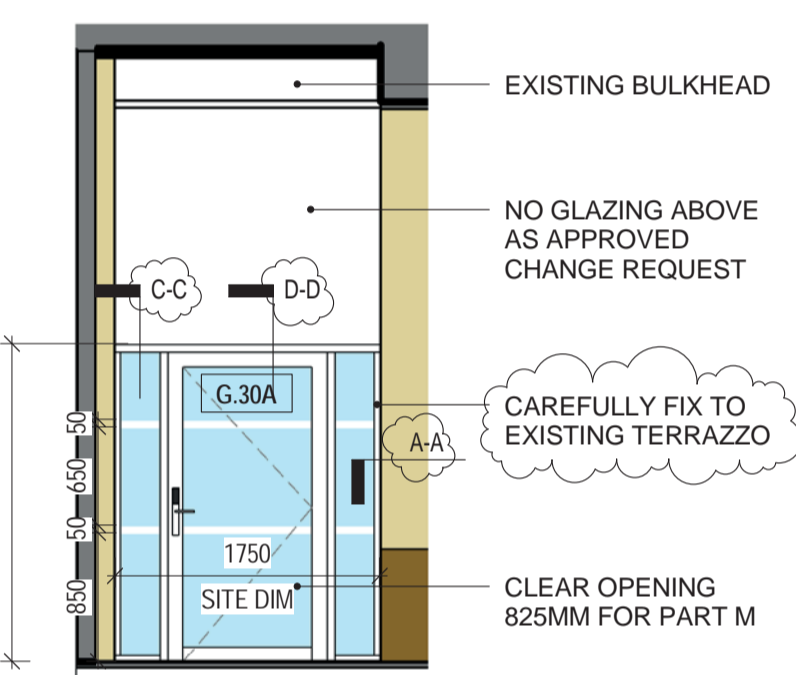


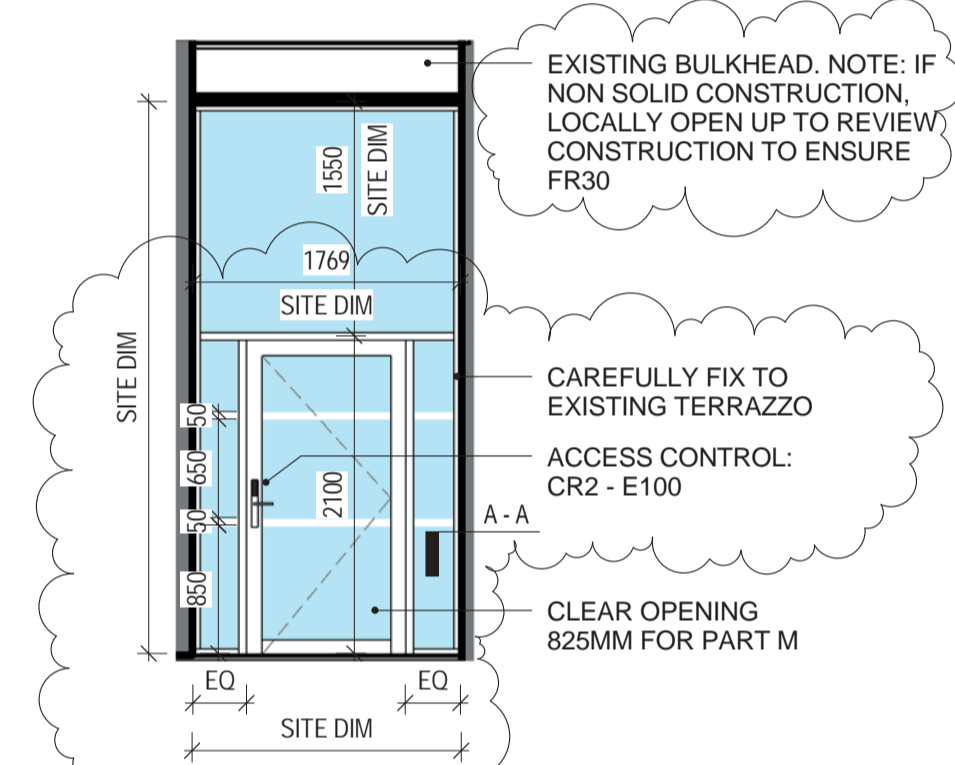
**4 G.13A 30 MINUTE FIRE**  
1:50

**G13A NOTES:**  
ALUMINIUM FRAMED SINGLE GLAZED DOUBLE DOOR, OPENING WITH SINGLE GLAZED SIDE PANELS. DOOR TO PROVIDE MIN CLEAR OPENING OF 1800MM.  
GLAZING TO DOORS, ADJACENT PANES, ALL LOW LEVEL GLAZING AND ALL CRITICAL LOCATIONS AS DEFINED IN BS6262 PART 4 (1994) TO INCORPORATE CLASS A SAFETY GLASS AND TO SATISFY FIRE RATING REQUIREMENTS  
MANIFESTATION IS REQUIRED. MINIMUM REQUIREMENT, AS SHOWN FOR STATUTORY COMPLIANCE. FINAL DETAIL TO BE AGREED WITH CLIENT  
ACCESS CONTROL, HARD WIRED (CR-3 MAGLOCK), D-HANDLES STAINLESS STEEL FINISH.  
FIRE RATED ASSEMBLY TO ACHIEVE EI30, INTEGRITY & INSULATION FOR 30 MINUTES.  
SINGLE GLAZED TO ACHIEVE 30 MINUTE INTEGRITY & INSULATION (EI30) DETAILED ASSEMBLY AS SUBCONTRACTOR DRAWINGS. FIXINGS TO CAREFULLY UNDERTAKEN INTO EXISTING TRAVERTINE CLADDING.  
(FOR INFO. NOTE: ER SPEC L20/490, 30 MINUTE FR, ANODIZED ALUMINIUM FINISH).  
READ WITH DRAWING: 28731-SOAS-A-DET-GEN-00-499 AND HORTON SUB-CONTRACTOR DETAILS



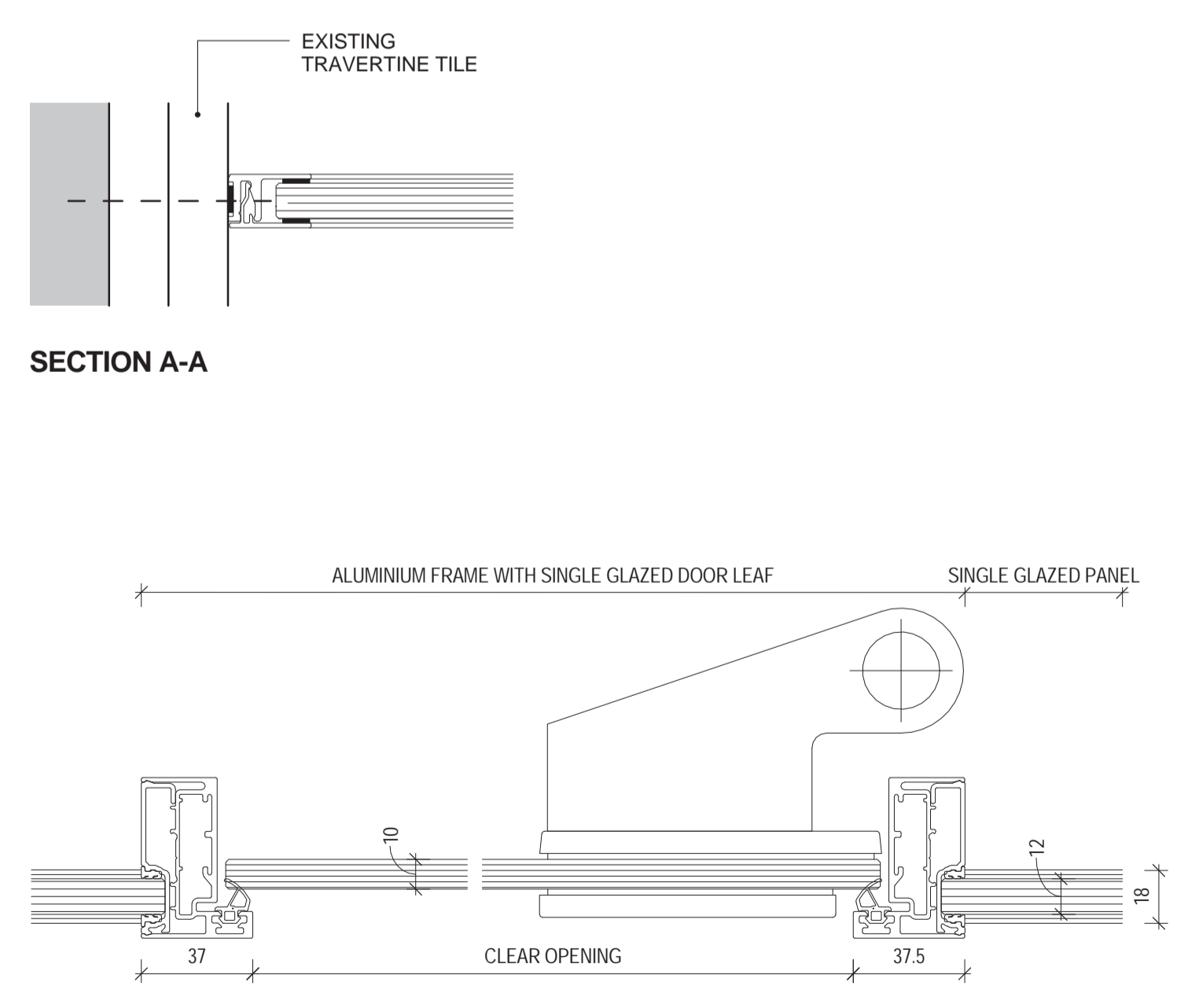
**2 G.30A**  
1:50

**G30A NOTES:**  
ANODIZED ALUMINIUM FRAMED SINGLE GLAZED DOOR, OPENING WITH SINGLE GLAZED SIDE PANELS. DOOR TO PROVIDE MIN CLEAR OPENING OF 825MM.  
GLAZING TO DOORS, ADJACENT PANES, ALL LOW LEVEL GLAZING AND ALL CRITICAL LOCATIONS AS DEFINED IN BS6262 PART 4 (1994) TO INCORPORATE CLASS A SAFETY GLASS.  
MANIFESTATION IS REQUIRED. MINIMUM REQUIREMENT, AS SHOWN FOR STATUTORY COMPLIANCE. FINAL DETAIL TO BE AGREED WITH CLIENT  
ACCESS CONTROL, BATTERY OPERATED (CR2) INTEGRATED INTO LEVER HANDLE (APERIO E100), STAINLESS STEEL FINISH, CLIENT TO CONFIRM FINISH.  
NON FIRE RATED.  
DETAILED ASSEMBLY AS SUBCONTRACTOR DRAWINGS. FIXINGS TO CAREFULLY BE UNDERTAKEN INTO EXISTING TRAVERTINE CLADDING.  
(FOR INFO. NOTE: ER SPEC L20/490, SS IRONMONGERY, ANODIZED ALUMINIUM FINISH).

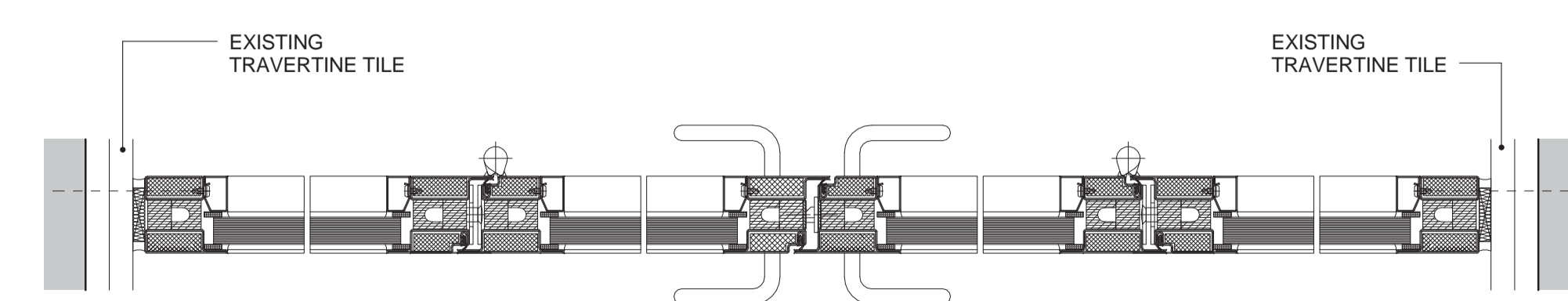
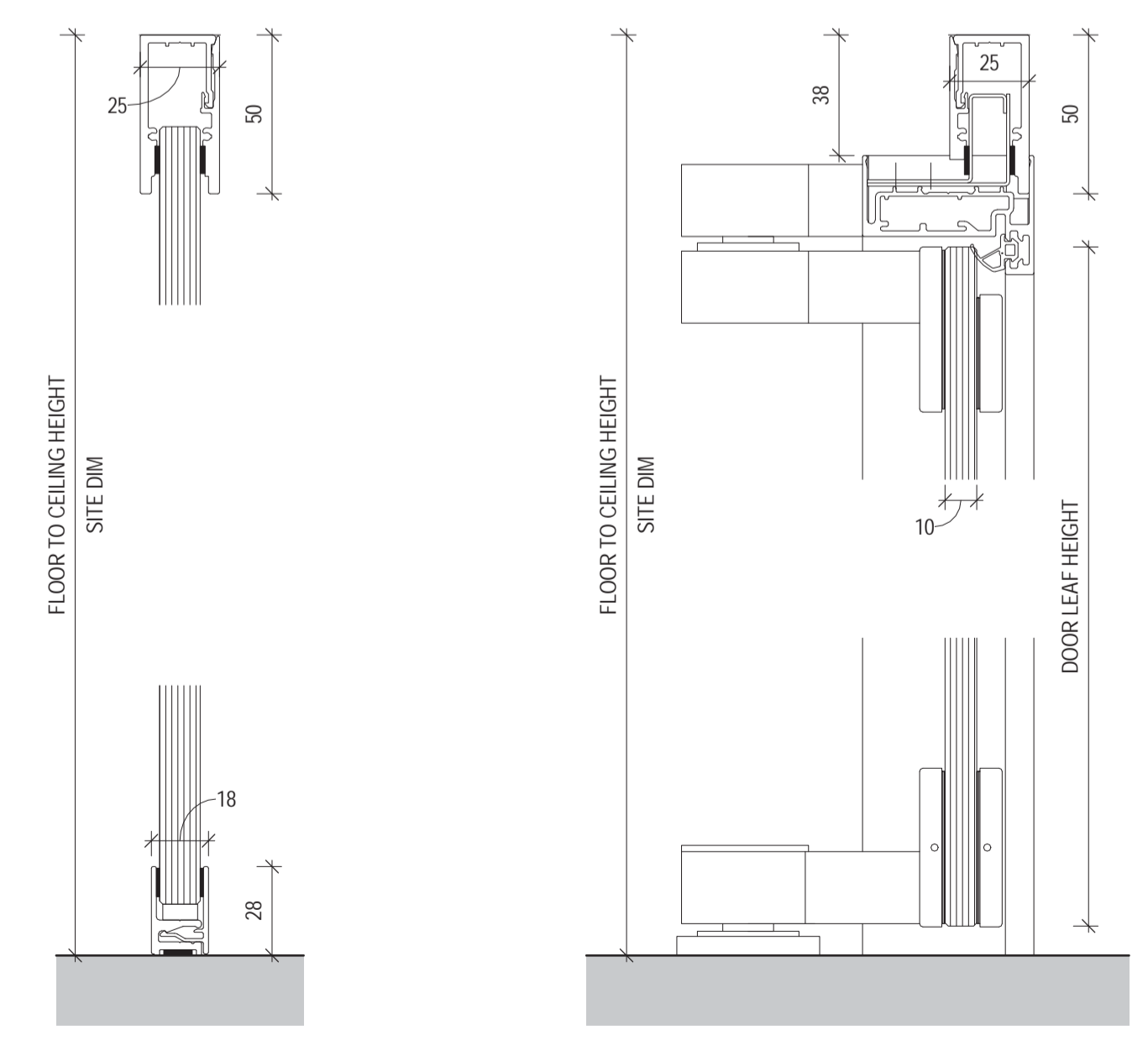


**3 G.31A 30MINUTE FIRE**  
1:50

**G31A NOTES:**  
ANODIZED ALUMINIUM FRAMED SINGLE GLAZED DOOR, OPENING WITH SINGLE GLAZED SIDE PANELS. DOOR TO PROVIDE MIN CLEAR OPENING OF 825MM.  
GLAZING TO DOORS, ADJACENT PANES, ALL LOW LEVEL GLAZING AND ALL CRITICAL LOCATIONS AS DEFINED IN BS6262 PART 4 (1994) TO INCORPORATE CLASS A SAFETY GLASS AND TO SATISFY FIRE RATING REQUIREMENTS  
MANIFESTATION IS REQUIRED. MINIMUM REQUIREMENT, AS SHOWN FOR STATUTORY COMPLIANCE. FINAL DETAIL TO BE AGREED WITH CLIENT  
ACCESS CONTROL, BATTERY OPERATED (CR2) INTEGRATED INTO LEVER HANDLE (APERIO E100), STAINLESS STEEL FINISH, CLIENT TO CONFIRM FINISH.  
FIRE RATED ASSEMBLY TO ACHIEVE EI30, INTEGRITY & INSULATION FOR 30 MINUTES.  
SINGLE GLAZED TO ACHIEVE 30 MINUTE INTEGRITY & INSULATION (EI30) DETAILED ASSEMBLY AS SUBCONTRACTOR DRAWINGS. FIXINGS TO CAREFULLY UNDERTAKEN INTO EXISTING TRAVERTINE CLADDING.  
(FOR INFO. NOTE: ER SPEC L20/490, SS IRONMONGERY, 30 MINUTE FR, ANODIZED ALUMINIUM FINISH).



**5 DESIGN INTENT - TYPICAL DETAILS**  
1:2



**6 FIRE RATED GLAZED DOORS - DESIGN INTENT**  
1:5

© COPYRIGHT Mace Group  
NOT TO BE REPRODUCED WITHOUT WRITTEN PERMISSION.  
BECAUSE OF POSSIBLE SCALING ERRORS IN ELECTRONIC AND HARD COPY REPRODUCTION DO NOT SCALE FOR CONSTRUCTION PURPOSES.  
ALL DIMENSIONS TO BE CHECKED & VERIFIED ON SITE PRIOR TO CONSTRUCTION.

**Safety first. Second nature.**

Safety, Health and Environment Information

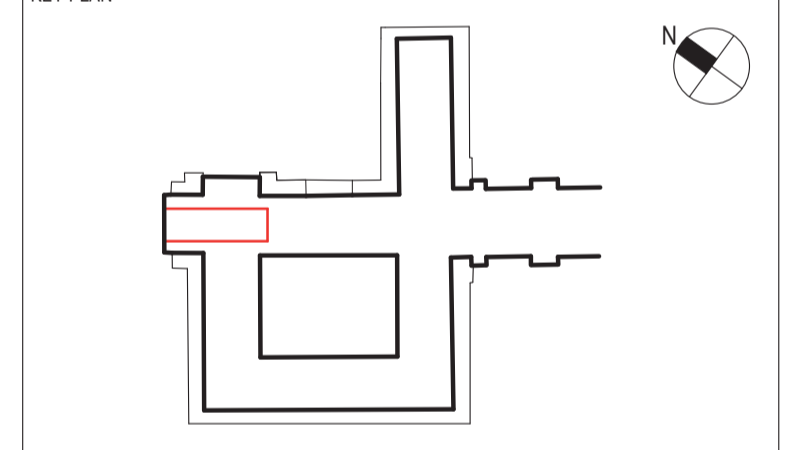
The significant unusual hazards / risks associated with this type of work are noted as:

CI	CONSTRUCTION
CII	
OI	OPERATION AND MAINTENANCE
OII	
DI	DISMANTLING/DEMOLITION
DII	

NOTE - TO BE READ IN CONJUNCTION WITH RISK REGISTER

**NOTE:**  
1) ALL GLAZING TO COMPLY WITH BUILDING REGULATIONS.  
2) ALL DIMENSIONS TO BE VERIFIED BY SITE SURVEY.

2	18.12.15	AMENDMENTS AS HIGHLIGHTED	HB	EF/CF
1	13.11.15	CONSTRUCTION ISSUE	DL	EF/CF
REV	DATE	DESCRIPTION	DWN	CHK/APP



PROJECT STATUS: **CONSTRUCTION**

CLIENT: **GRAHAM CONSTRUCTION**

**mace**  
155 Moorgate, London, EC2M 6XB  
www.macegroup.com

PROJECT TITLE: **SOAS INTO SENATE HOUSE MALET STREET LONDON, WC1E 7HU**

DRAWING TITLE: **FRONT ENTRANCE GLAZED DOORS**

PROJECT NO.	28731	DRAWN BY	DL	DATE	12/09/14
CHK BY	EF	DATE	12/09/14		
APPD BY	MD	DATE	12/09/14		
PROJECT CODE	DISC	VIEW TYPE	VIEW CAT	LEVEL	DRG. NO.
SOAS - A	- DET - GEN - 00	- 768			
SHEET NO.	1 of 1	SCALE	As indicated	ORIG. SHEET SIZE	REV. C 2

INFORMATION HANDLING CLASSIFICATION: **UNRESTRICTED**