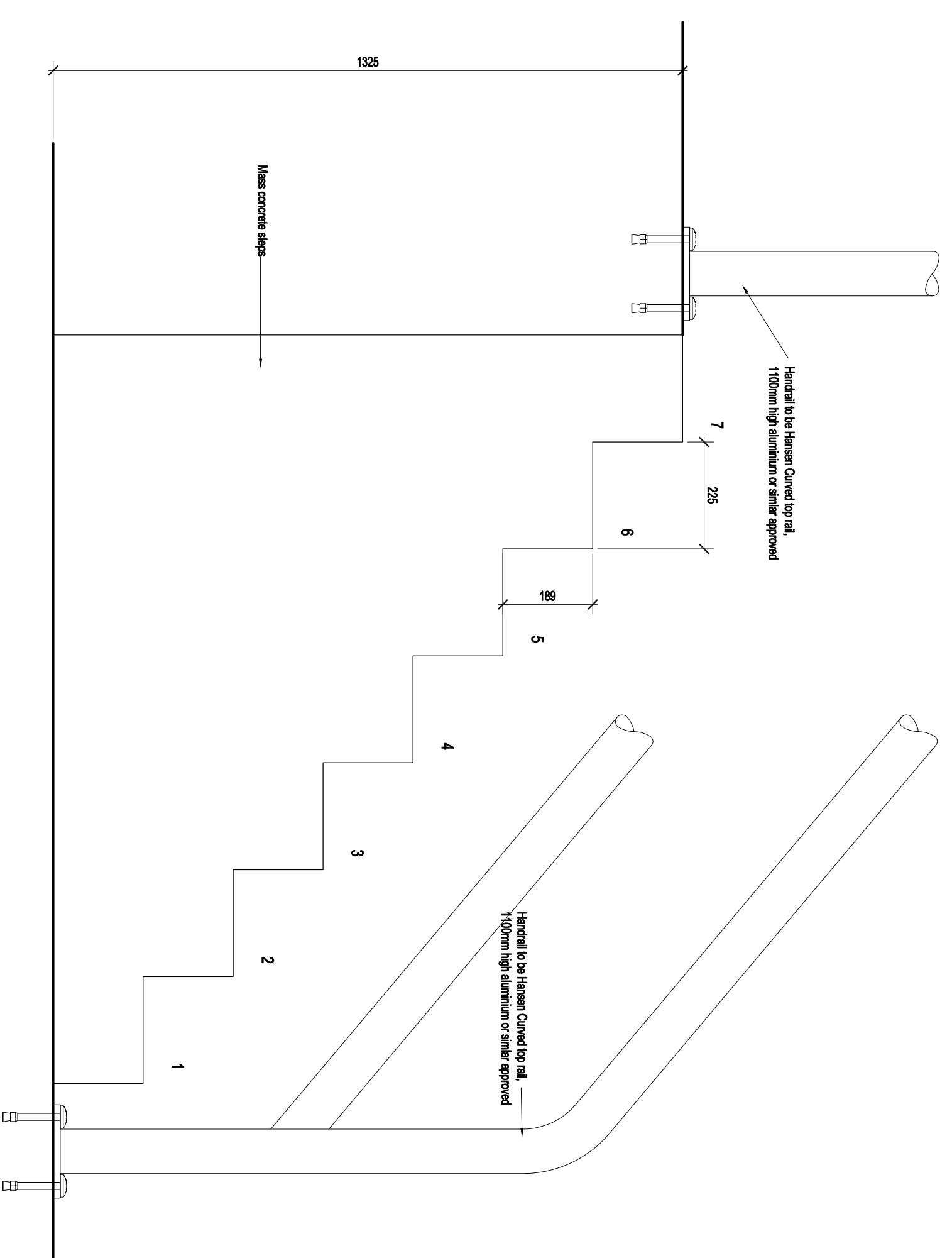
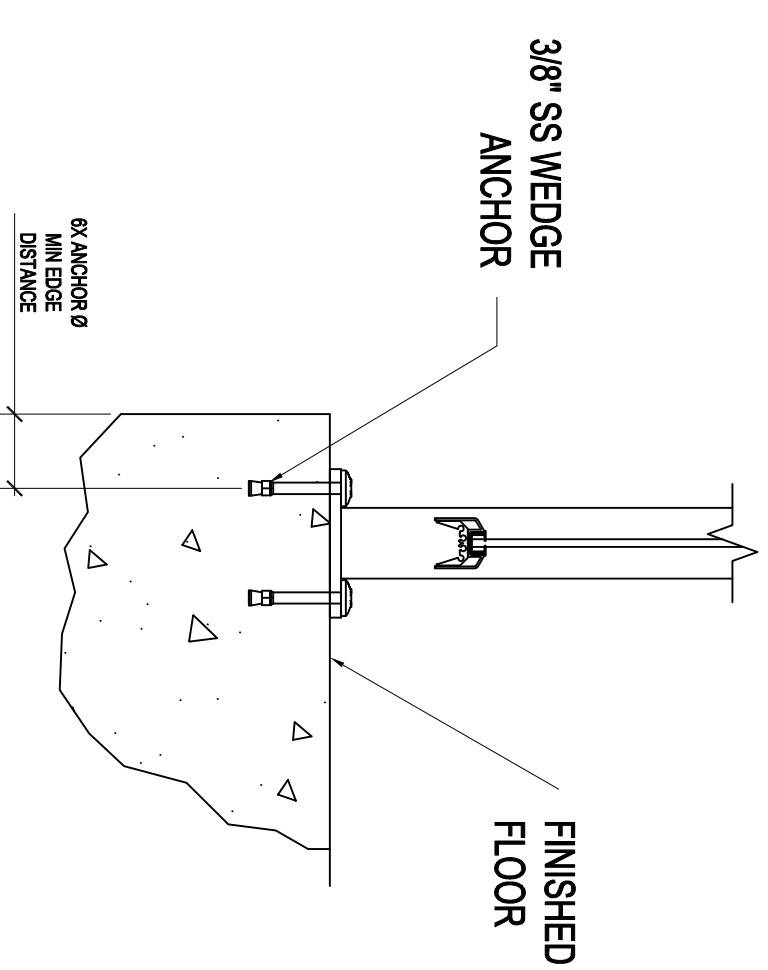


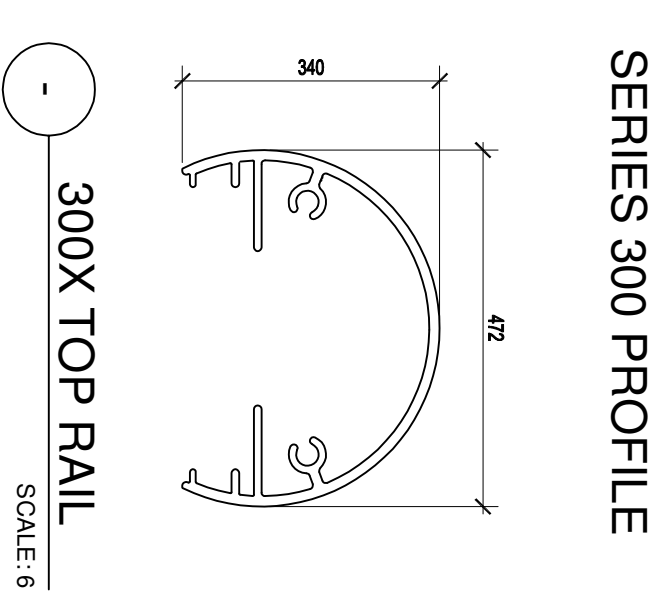
TYPICAL ELEVATION W/ MID-RAIL
SCALE: FULL



External Steps Mass Concrete with Handrail
(Scale: 1/10)

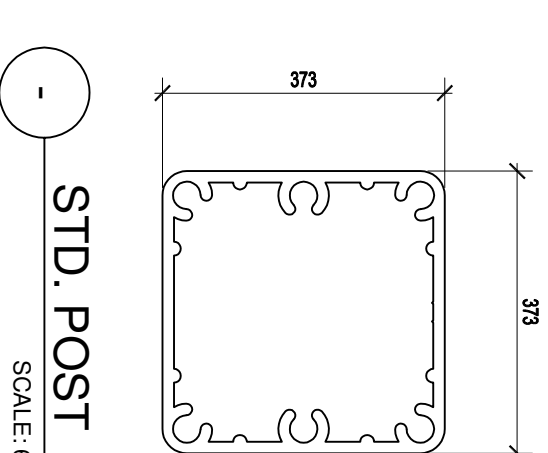


SURFACE MOUNT

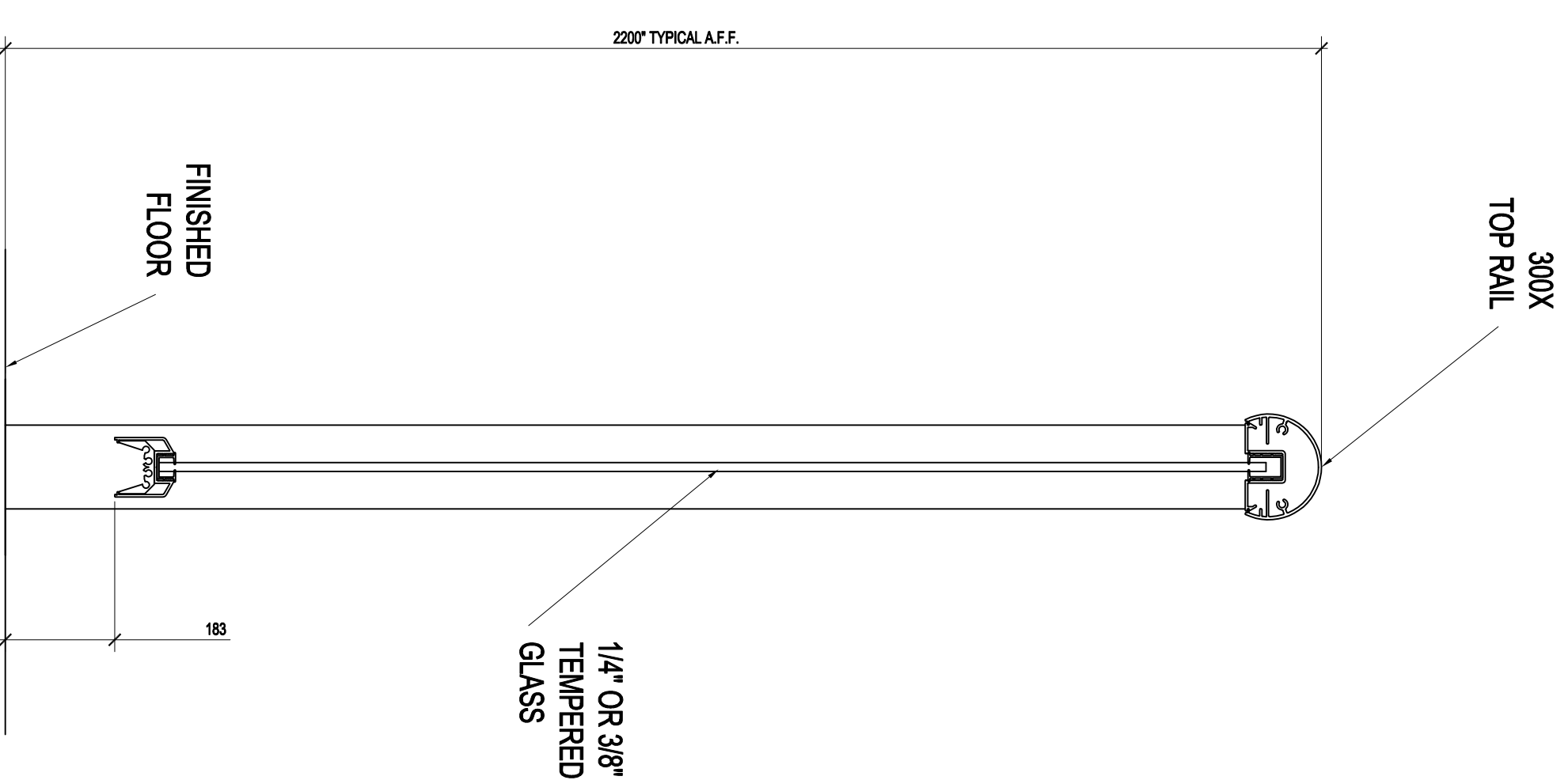


300X TOP RAIL
SCALE: 6

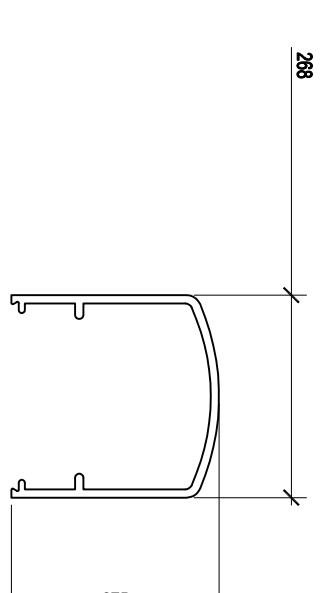
NOTE:
SEE TOP RAIL PROFILE PAGE FOR ALL
HANSEN TOP RAILS



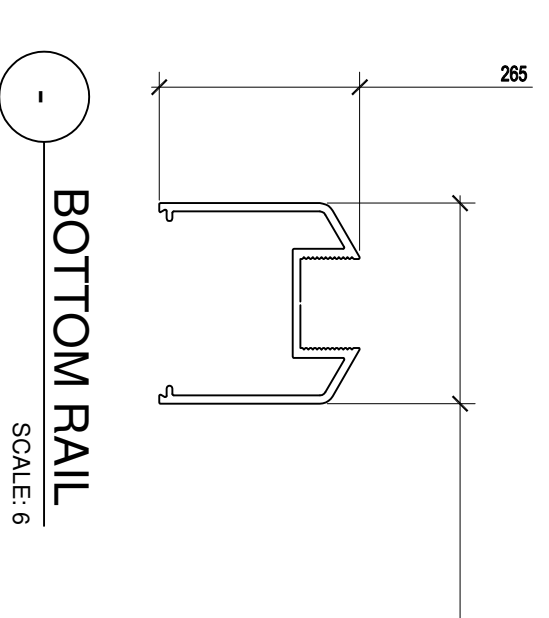
STD. POST
SCALE: 6



TYPICAL SECTION
SCALE: 2



MID-RAIL
SCALE: 6



BOTTOM RAIL
SCALE: 6

Construction Issue
For Building Control

REV.	Date	Description

Client: Shannon ISL, Watford

Shannon
Integrated Services Ltd
Commercial & Domestic Property
Maintenance & Refurbishment
020 7060 4234
www.shannonisl.co.uk

Project Description:
Proposed 2 No. New Dwellings at Land to Rear of 1a Froggnal - Scheme 4

Drawing Title:
Typical External Handrail Details
1:10@A1

Date: December 15
Drawing No.: Frog_P15c4_009
Rev: