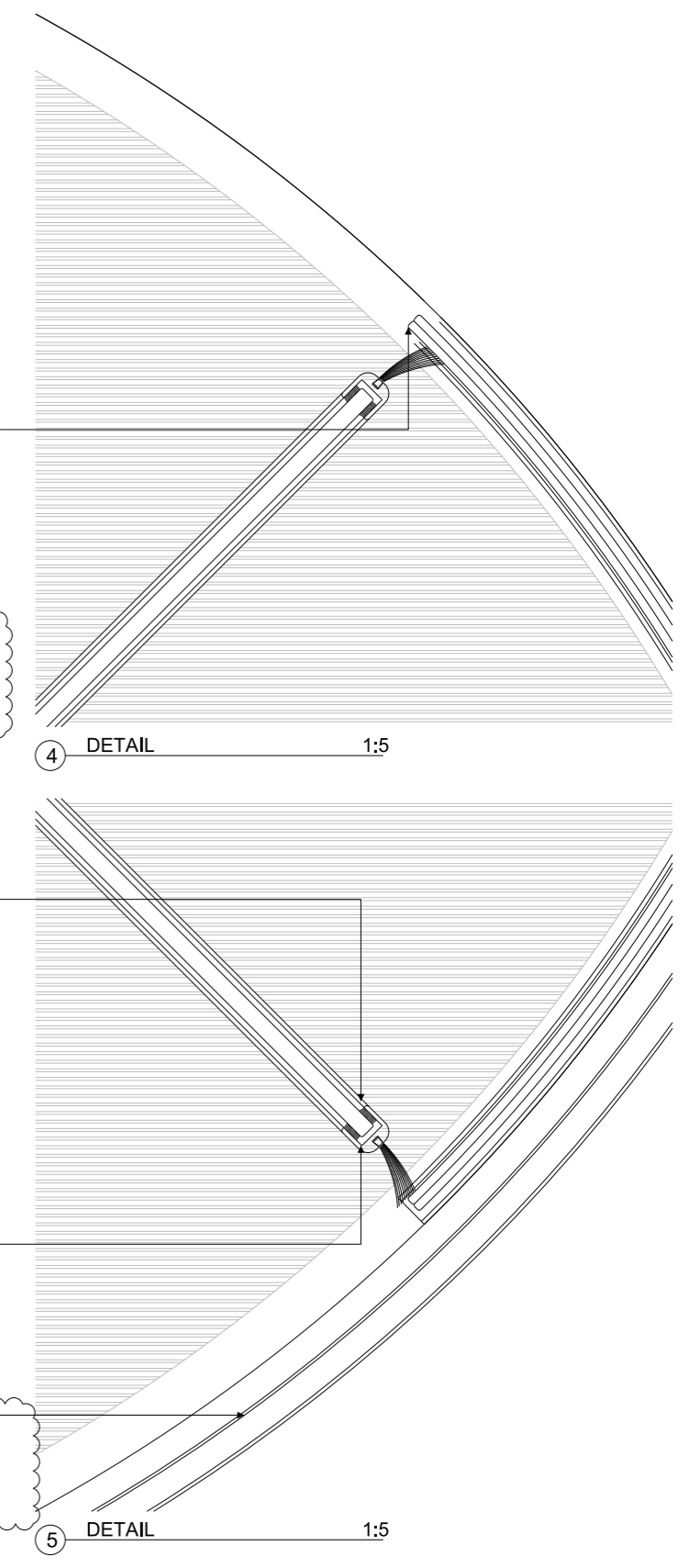
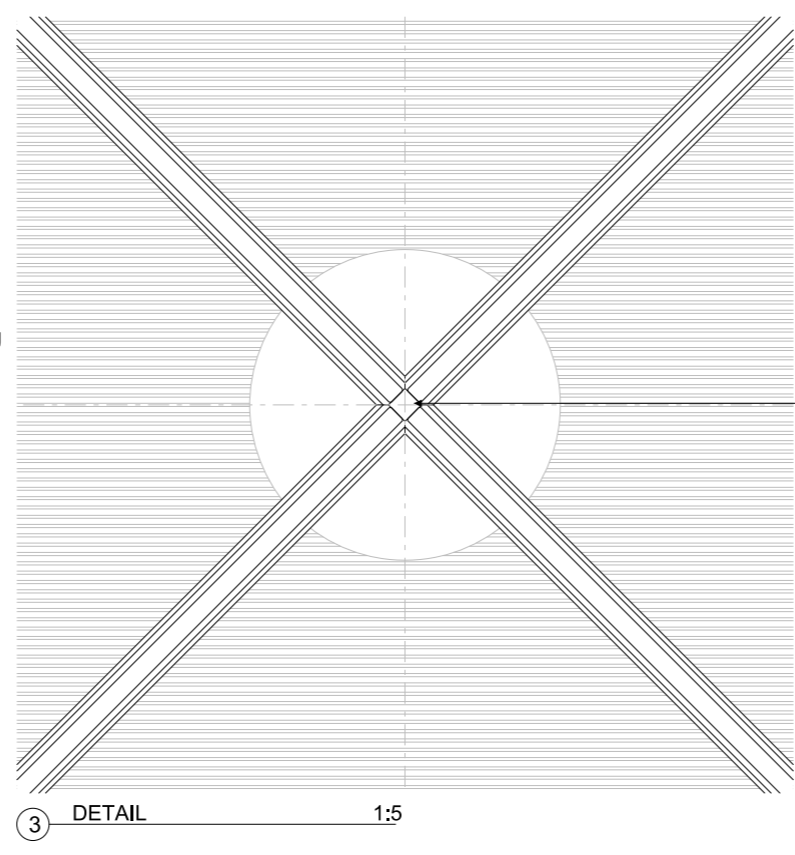
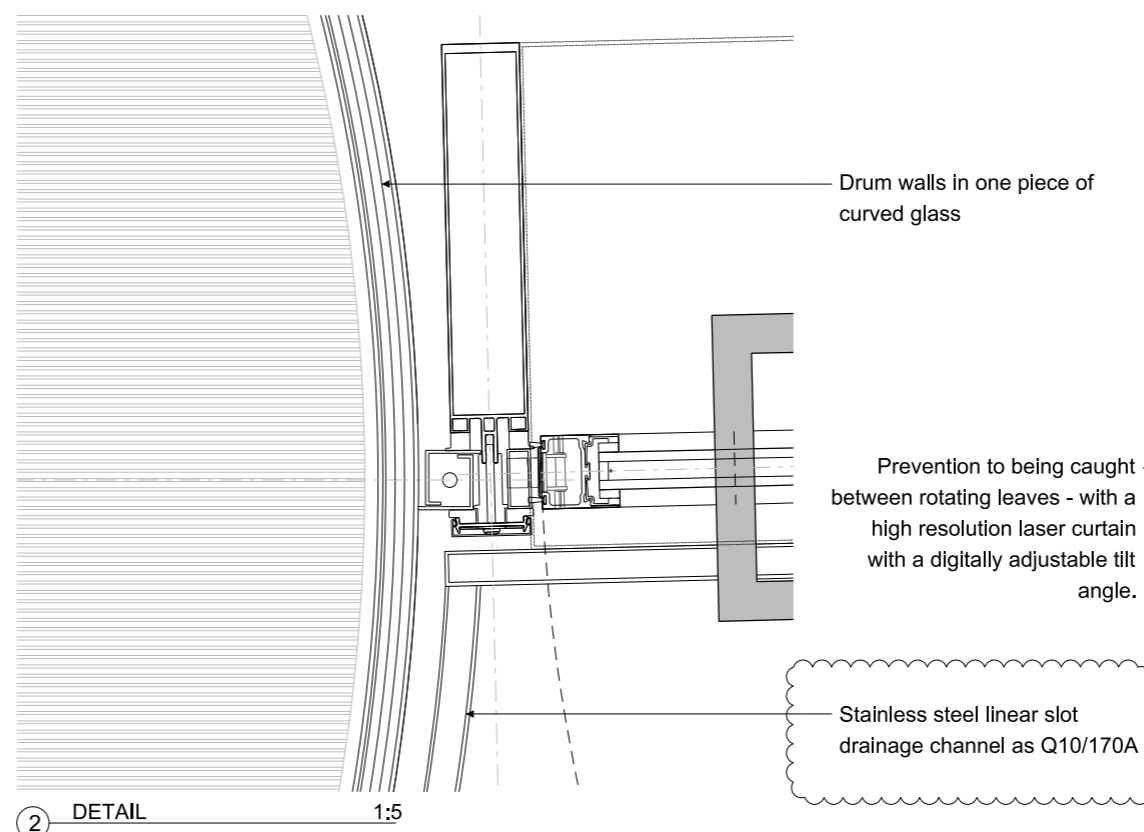
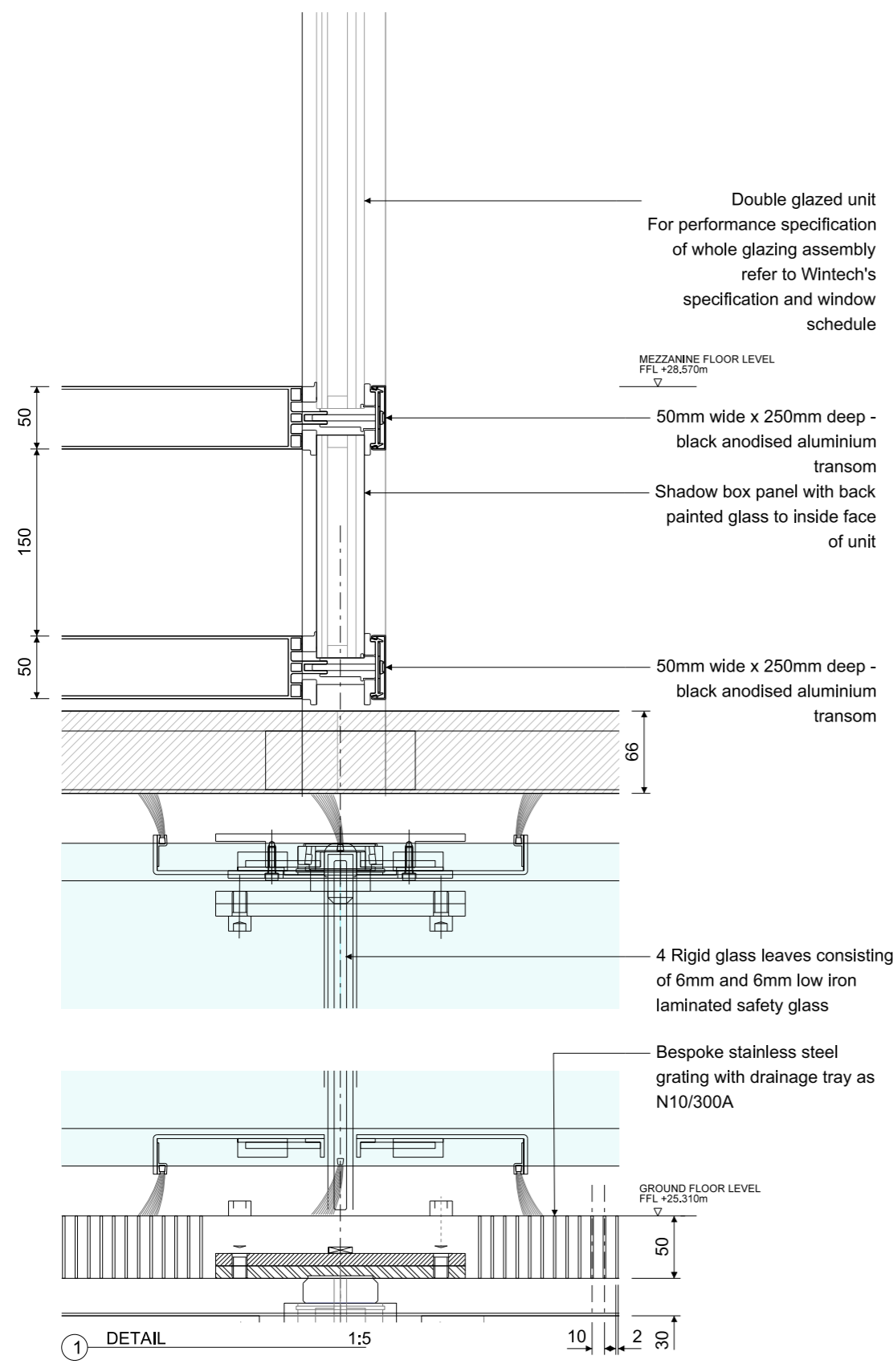


T:\2332 Centre Point\02-Sheets\25 Series External Wall\2332(25)532_Revolving Door Junction Details.dgn

27/03/2014

2332

Conran



All dimensions must be checked on site and not scaled from this drawing. © Conran and Partners Limited

Rev	Date	Reason	By	Checked	Rev	Date	Reason	By	Checked
-	30.04.13	Stage E	PG	AS					
A	31.03.14	Annotation updated	AS	AS					

Notes
The cladding configuration shown is based on structural dimensions taken from the original design drawings
Structural dimensions are subject to confirmation by site survey
For floor build up details refer to drawing series (43) Floor Finishes

Project: Centre Point
Client: Almacantar
Drawing title: Revolving Door Details

Scale 1:5 Date: April 2013 Drawn by: PG
Project number: 2332 Drawing No: (25)532 Rev: A
Status: STAGE E Checked by: AS

CONRAN+ PARTNERS
Architects Designers

LONDON OFFICE
Conran Building
22 Shad Thames,
London SE1 2YU
Telephone: +44 (0) 20 7403 8899
Email: cp@conran.com