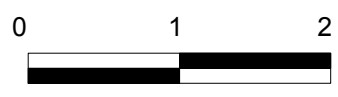
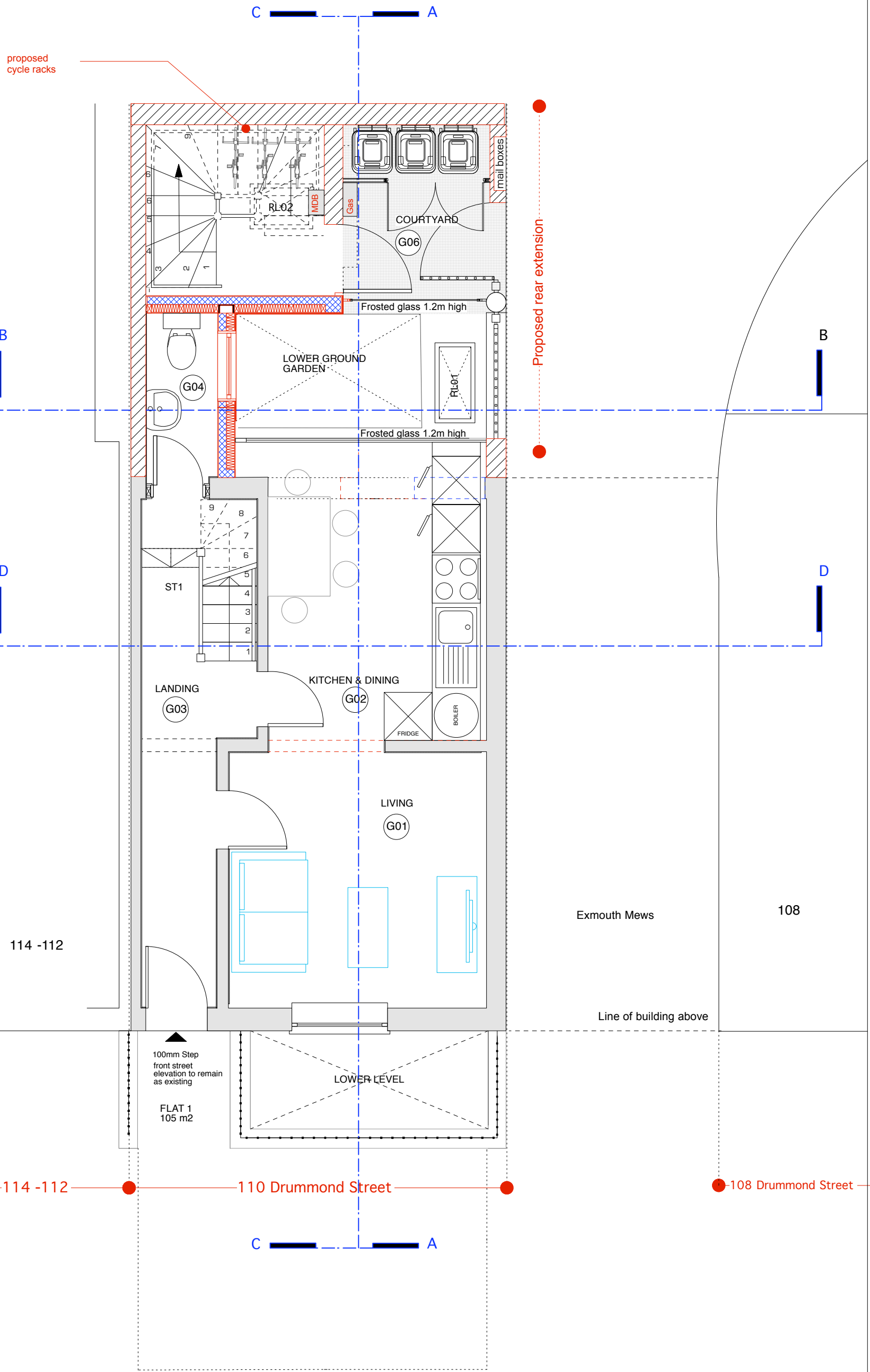
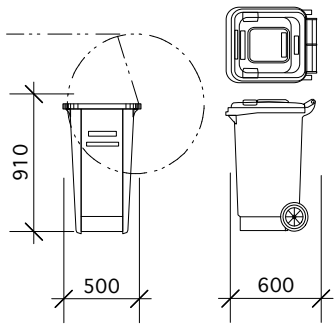


NOTES

© This drawing remains the property of Golzari NG Architects. It should not be reproduced in hard or electronic copies without a prior permission from Golzari-NG Architects.

Eurobins 240 litres



Notes

Key

	Existing Walls
	Remove Walls
	Masonry Sto Rend Block Wall
	Proposed Insulated Stud Wall

GOLZARI (NG) ARCHITECTS
 United House
 39-41 North Road
 London N7 9DP
 +44 (0)2036748462
 Email: info@ngarchitects.co.uk

Project No NG1404	Drawing No. NG13	Rev	Date	DRWN
Project 110 Drummond Street	Scale: 1:50@A3	-	6.10.15	
		A	15.12.15	
		B	18.12.15	
Drawing Title Proposed Ground	Comments/Issue For Information Only			