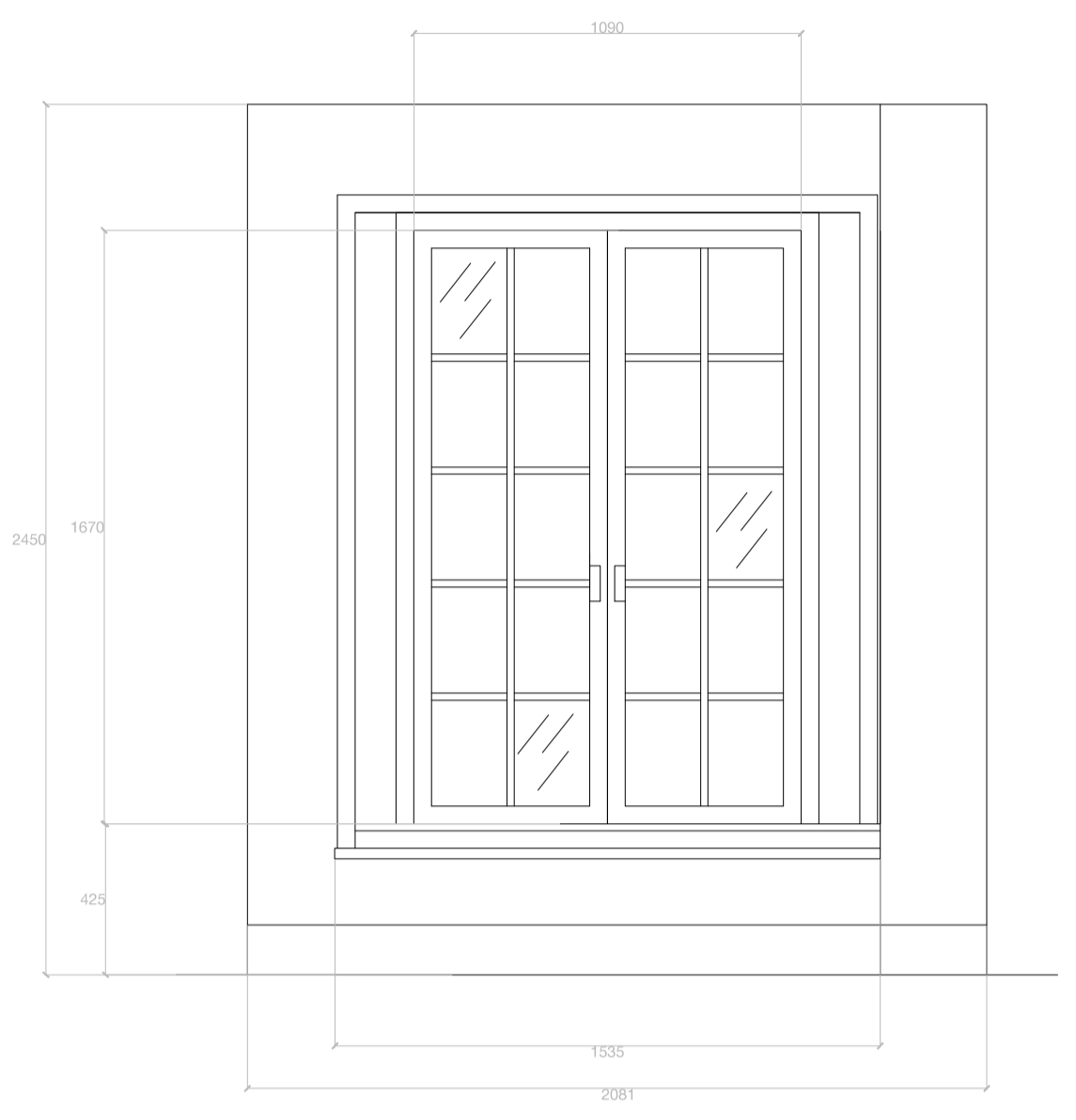


This drawing is the copyright of Red Squmel AK Ltd. T/A Camouflage. Figured dimensions to be taken in preference to those scaled. All dimensions to be checked on site before any work proceeds. The contractor is to provide full size setting out drawings based on the information contained in this drawing for the designer approval prior to commencing manufacture. This drawing is issued on the condition that it is not reproduced, retained, or disclosed to any unauthorised person either wholly or in part without the consent in writing of:
Camouflage, 8a Barkett Street, Bath BA1 2GZ

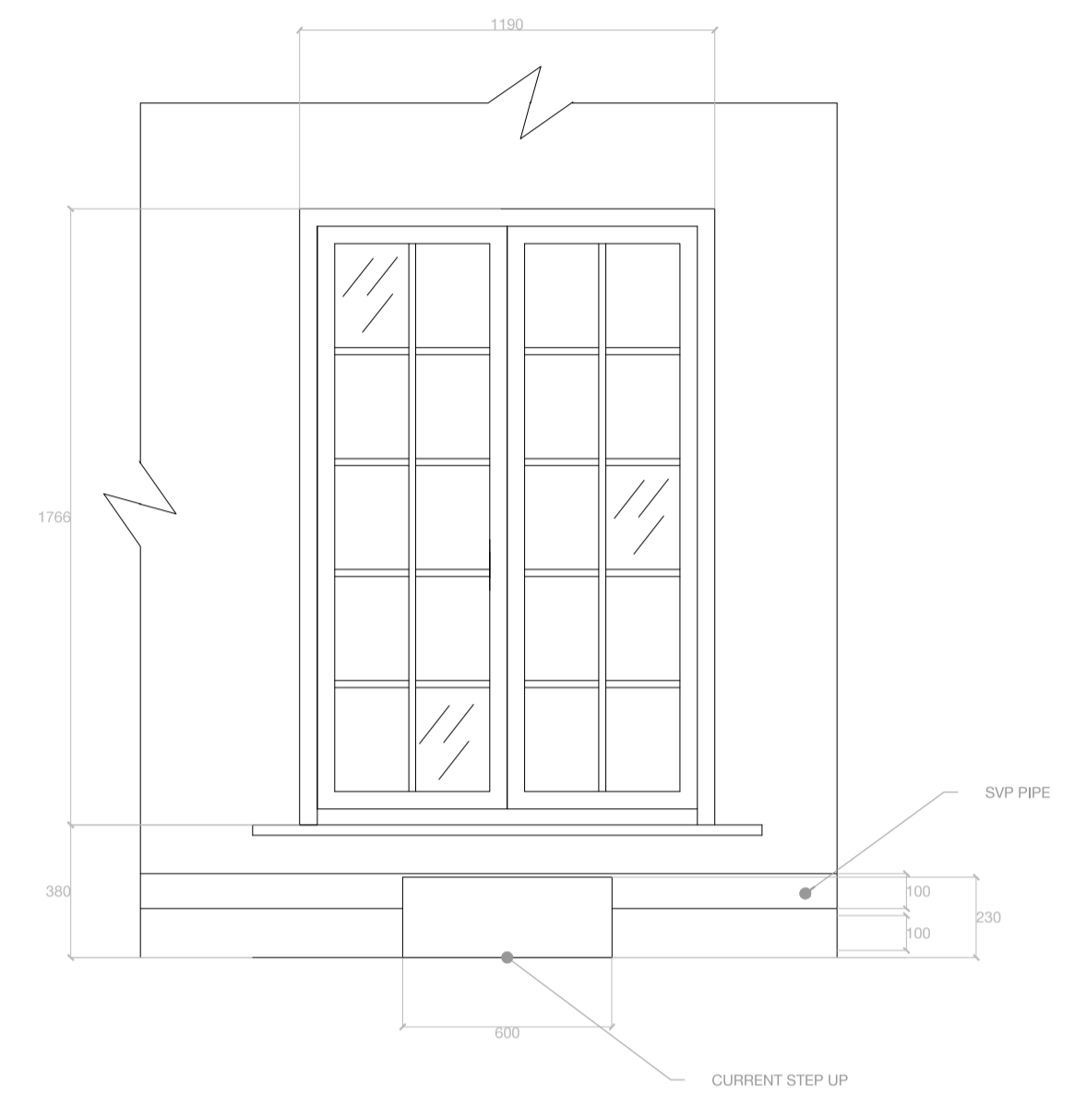
DIMENSIONS IN MILLIMETERS UNLESS OTHERWISE STATED

NOTES:

KITCHEN - EXISTING WINDOW

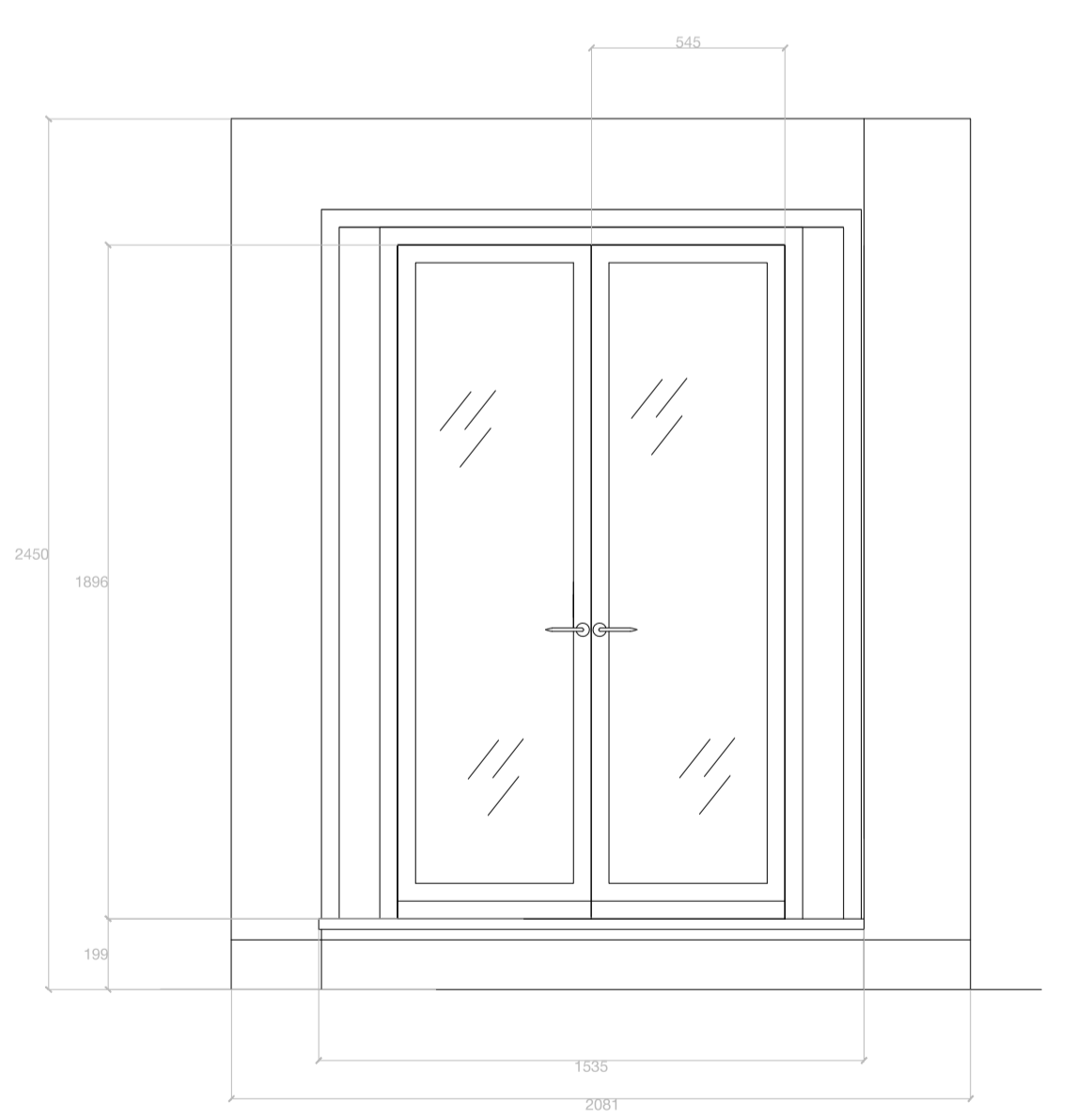


A
(INTERNAL)

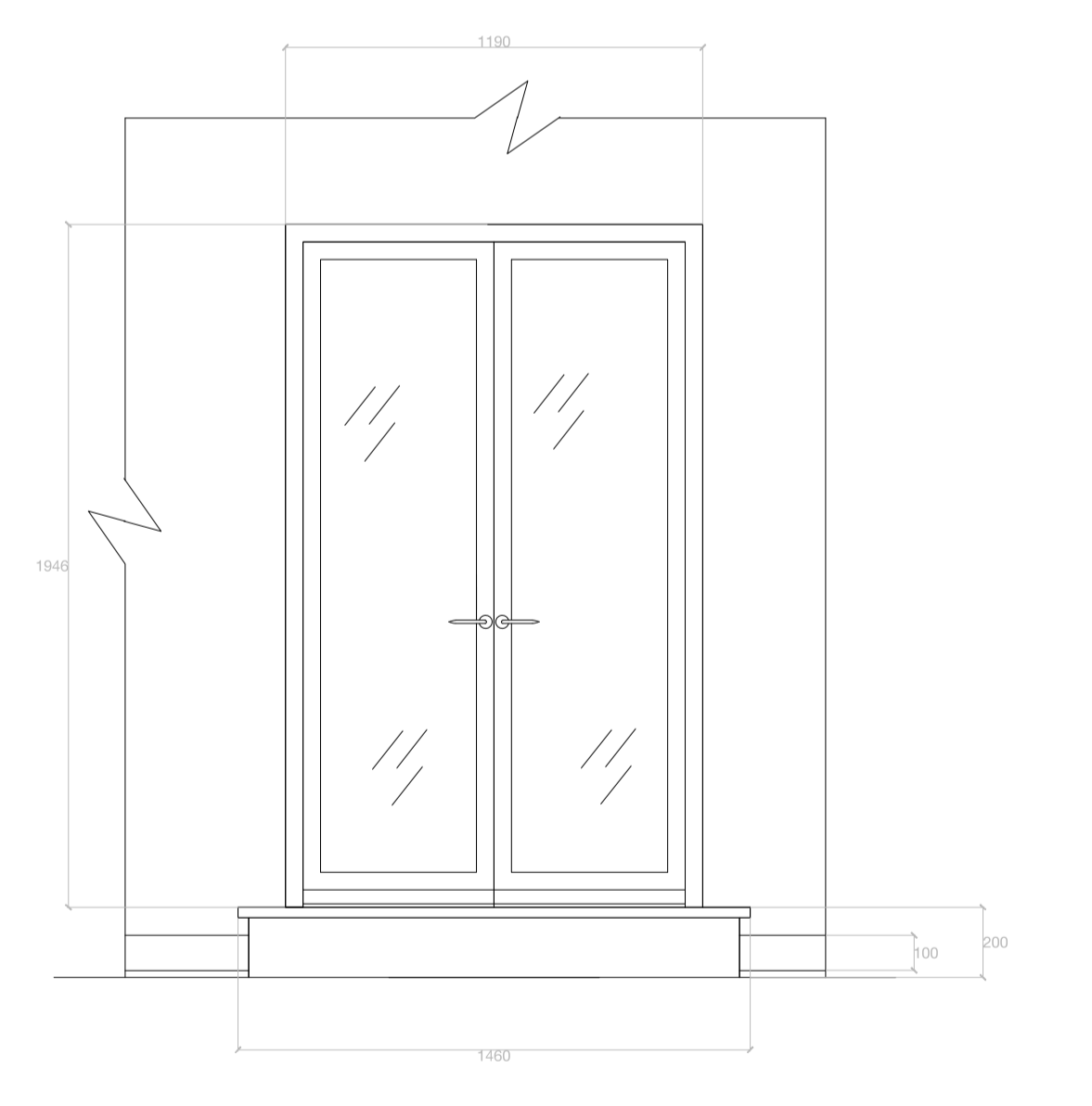


B
(EXTERNAL)

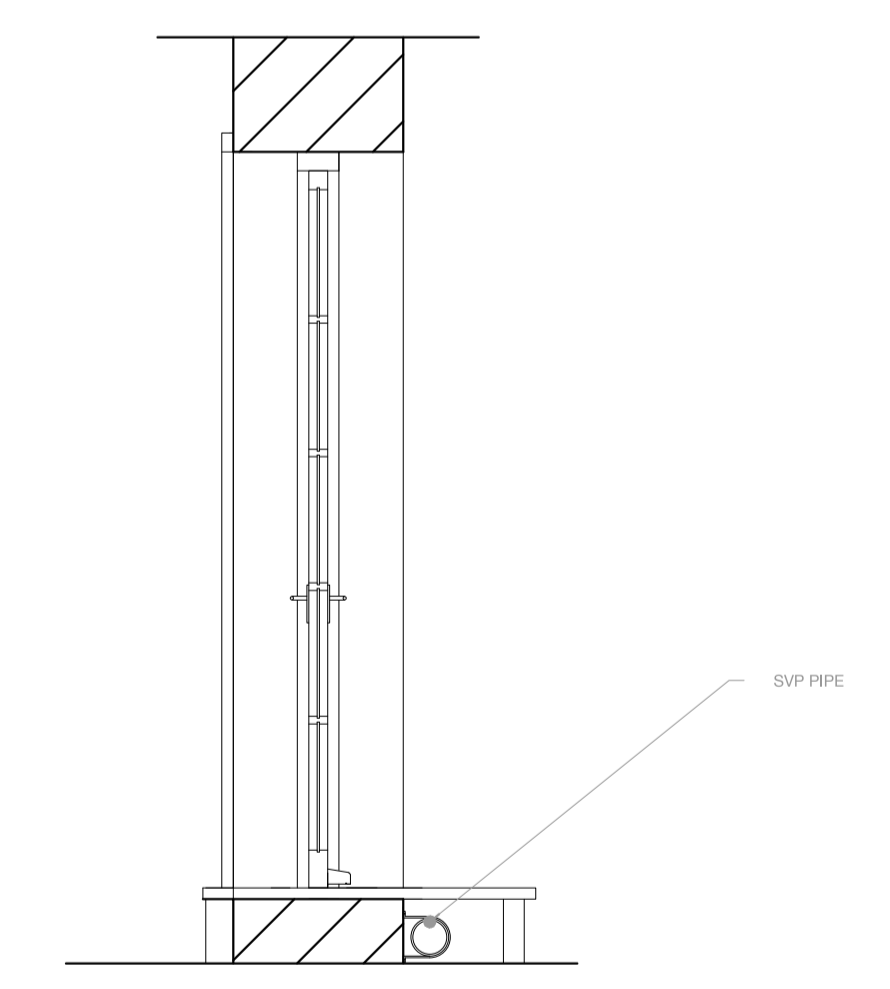
KITCHEN - PROPOSED WINDOW



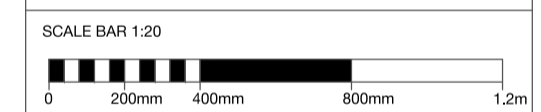
A
(INTERNAL)



B
(EXTERNAL)



C
(SECTION)



REV	DESCRIPTION	BY	DATE
01	SURVEY ELEVATIONS	BJ	27.10.15
02	CLEAR PANE WINDOWS	KO	CURRENT

CLIENT:
C. KOCHBERG

PROJECT:
34 ETON AVENUE, LONDON NW3

TITLE:
ELEVATION - KITCHEN WINDOW

JOB NO: **34EA**
DRAWN BY: **KO**
SIZE: **A1**
STATUS: **CONCEPT**
DATE: **18.12.2015**

DRAWING NO.	SCALE	REVISION
2011	1:20	02

camouflage