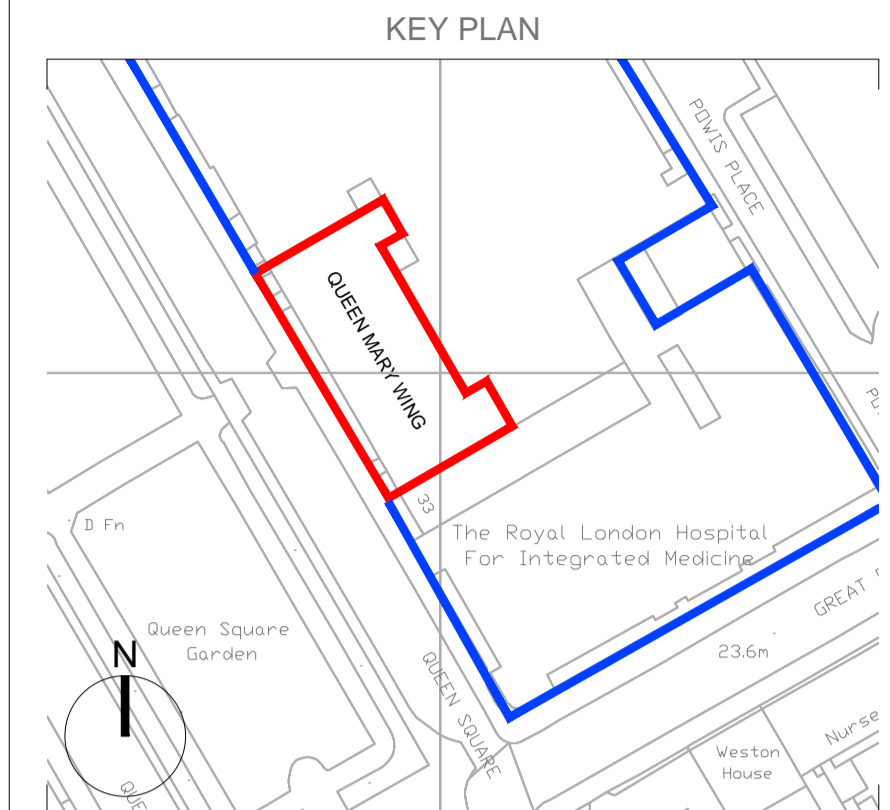
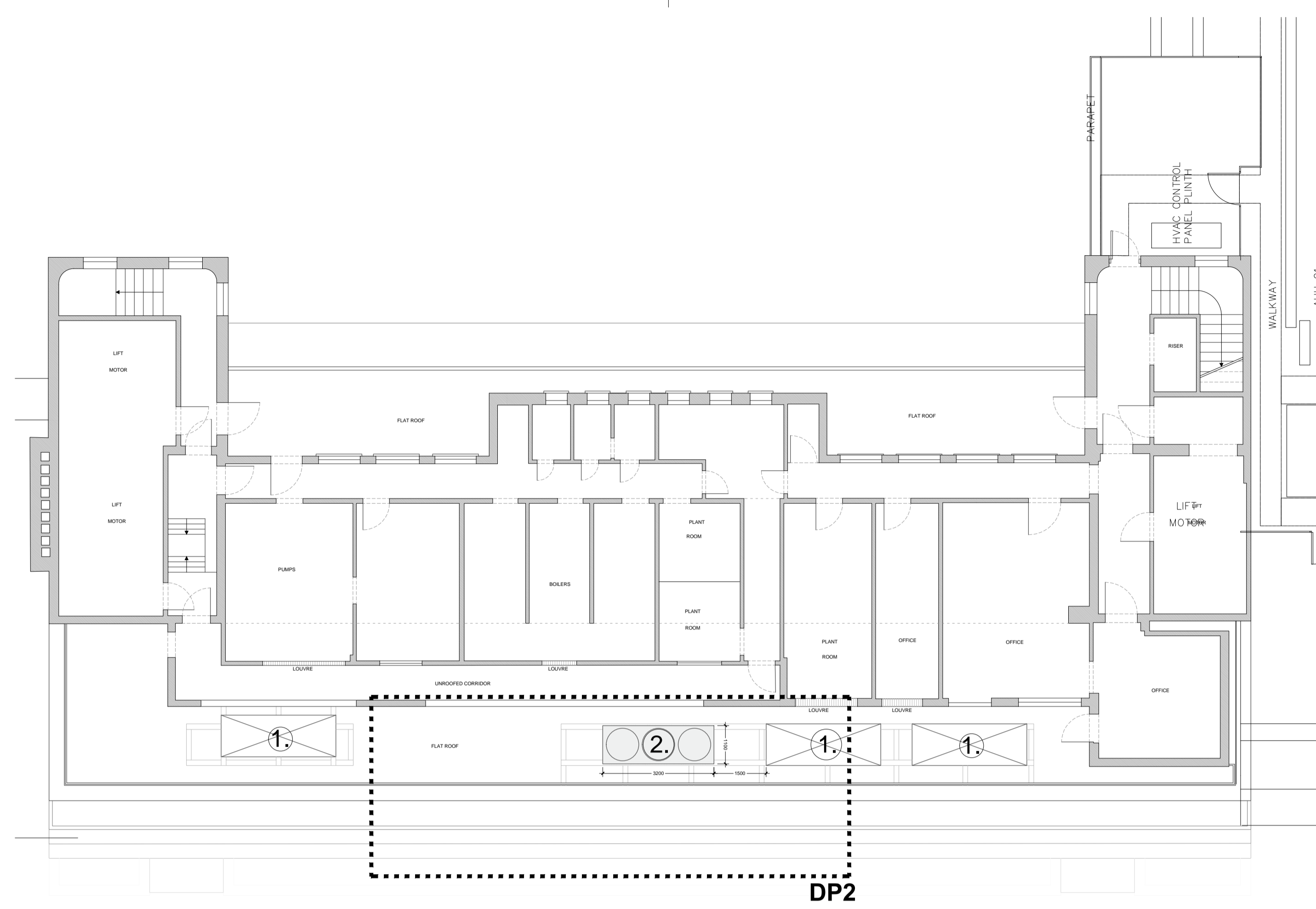


Copyright. All Rights Reserved.
 This work is copyright and cannot be produced or copied in any form or by any means (graphic, electronic or mechanical including photocopying) without the written permission of the originator. Any license, express or implied, to use this document for any purpose whatsoever is restricted to the terms of the agreement or implied agreement between the originator and the instructing party.
 DO NOT SCALE FROM THIS DRAWING. WORK ONLY FROM FIGURED DIMENSIONS.
 THIS DRAWING TO BE READ IN CONJUNCTION WITH RELEVANT CONSULTANT'S DRAWINGS.

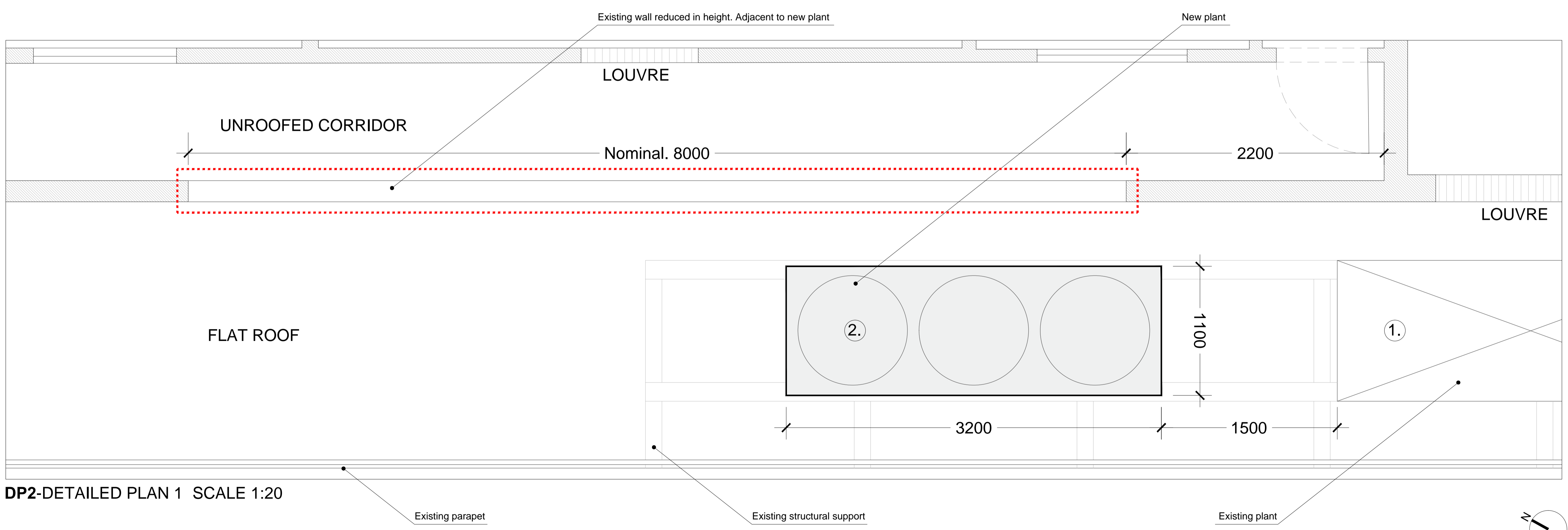


REV P01 | DATE 15/12/15 | DRAWN / CHECKED / APPROVED JVRR/BW
 ISSUED FOR PLANNING APPROVAL



- LEGEND:**
- ① EXISTING PLANT
 - ② NEW PLANT
- Concrete/brick wall to be taken down

PROPOSED PLAN 1 SCALE 1:100



DP2-DETAILED PLAN 1 SCALE 1:20



ALL MEASUREMENTS AND DIMENSIONS SUBJECT TO DETAILED SURVEY AND TO BE VERIFIED ON SITE

22a Arlington Way
 London EC1R 1UY
 +44 (0)20 7480 1304
 london@medicalarchitecture.com
 medicalarchitecture.com



CLIENT
 NHNN
 UCLH NHS FOUNDATION TRUST

PROJECT
 ROOF PLANT PLANNING APPLICATION
 QUEEN MARY WING
 QUEEN SQUARE REDEVELOPMENT

PROPOSED 8th FLOOR ROOF PLAN

STAGE 2	STATUS S4
PROJECT NUMBER 734	SCALE @A3 1:100 1:20
DRAWING NUMBER QSWA-MAA-002-08-DR-A-0203	REVISION P01

FILE REFERENCE
 \\lon-srv-01\projects\734_QueenMaryWing\Design\Location\QMWDWG\Planning Application