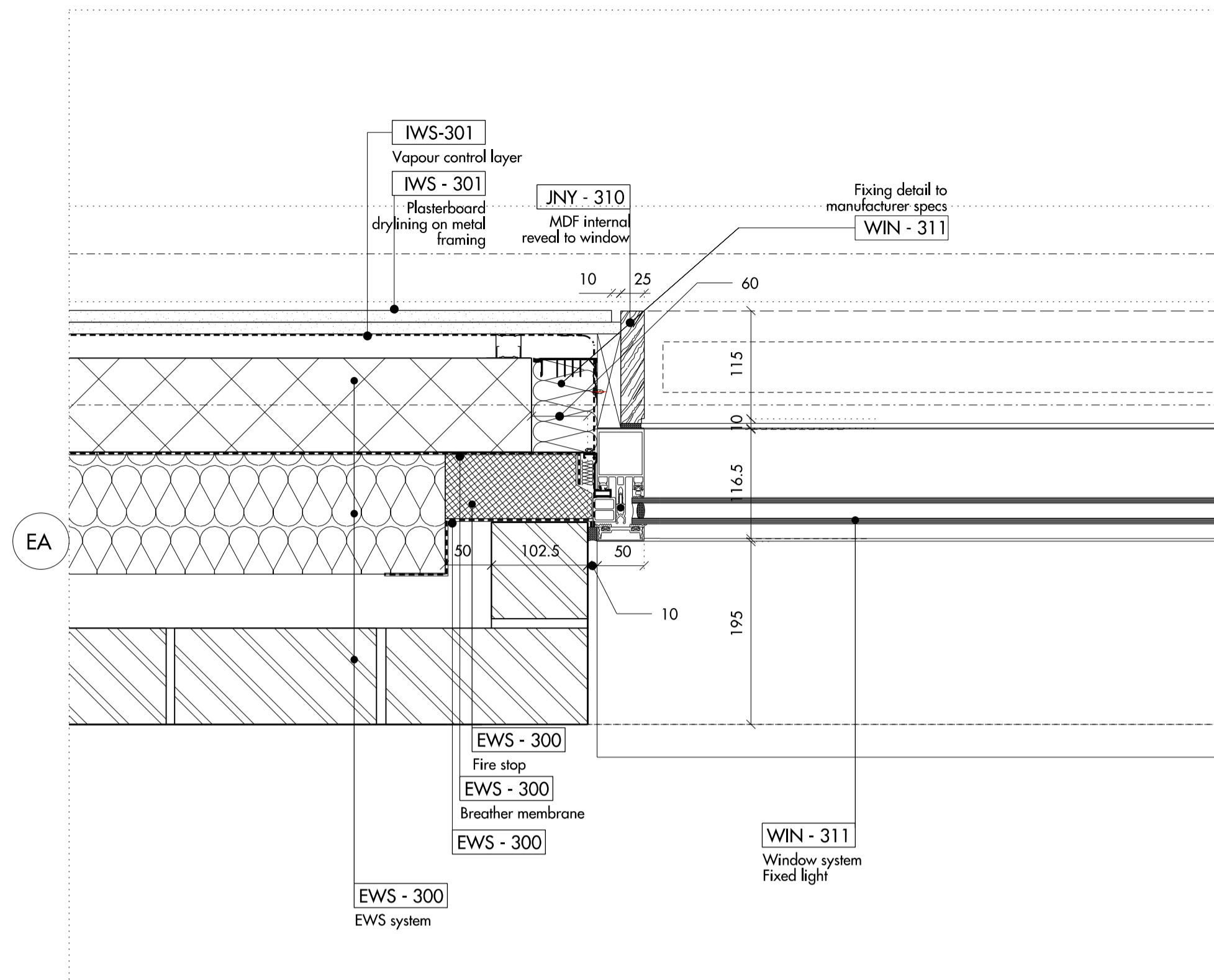
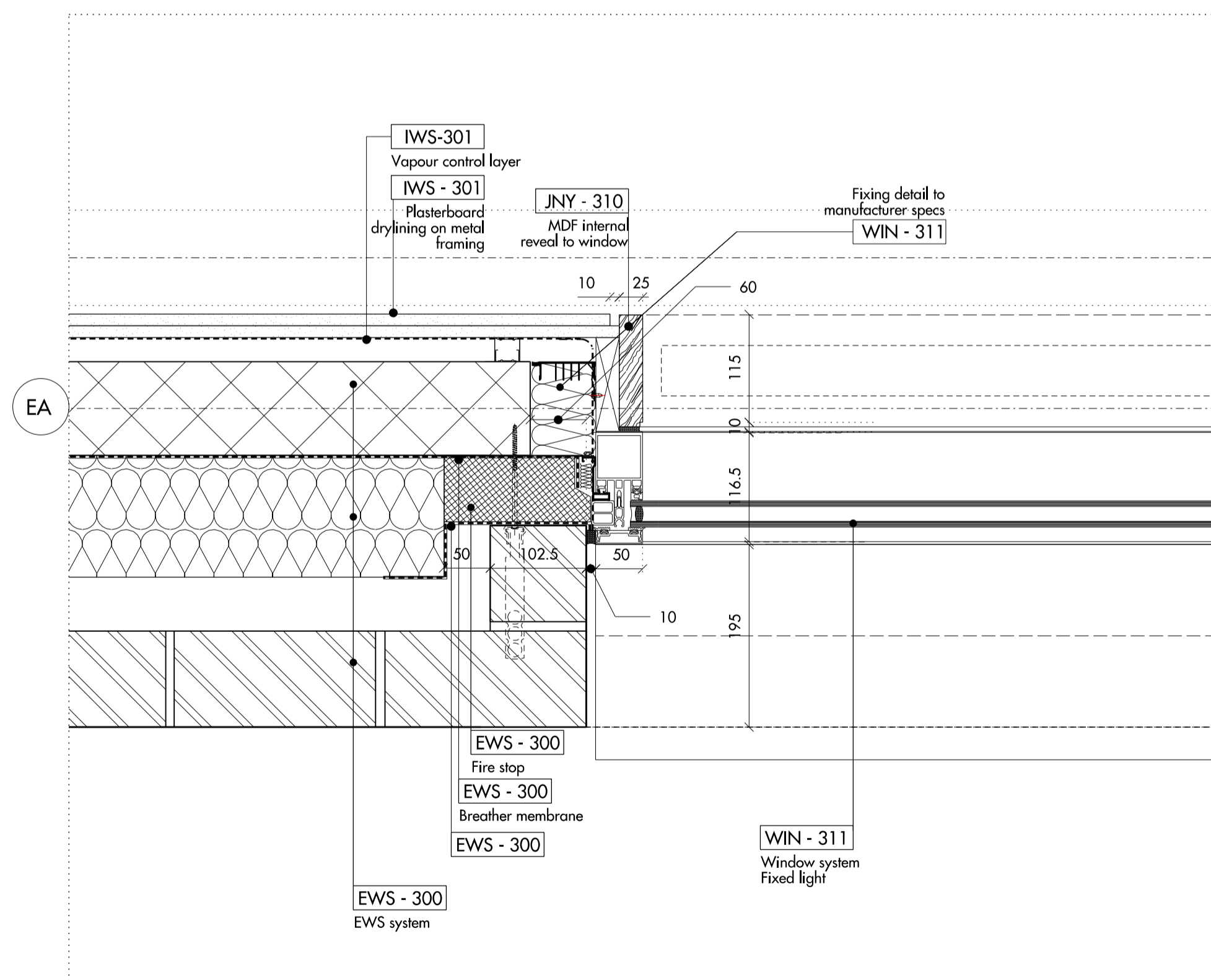


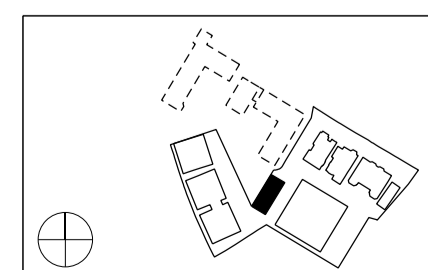
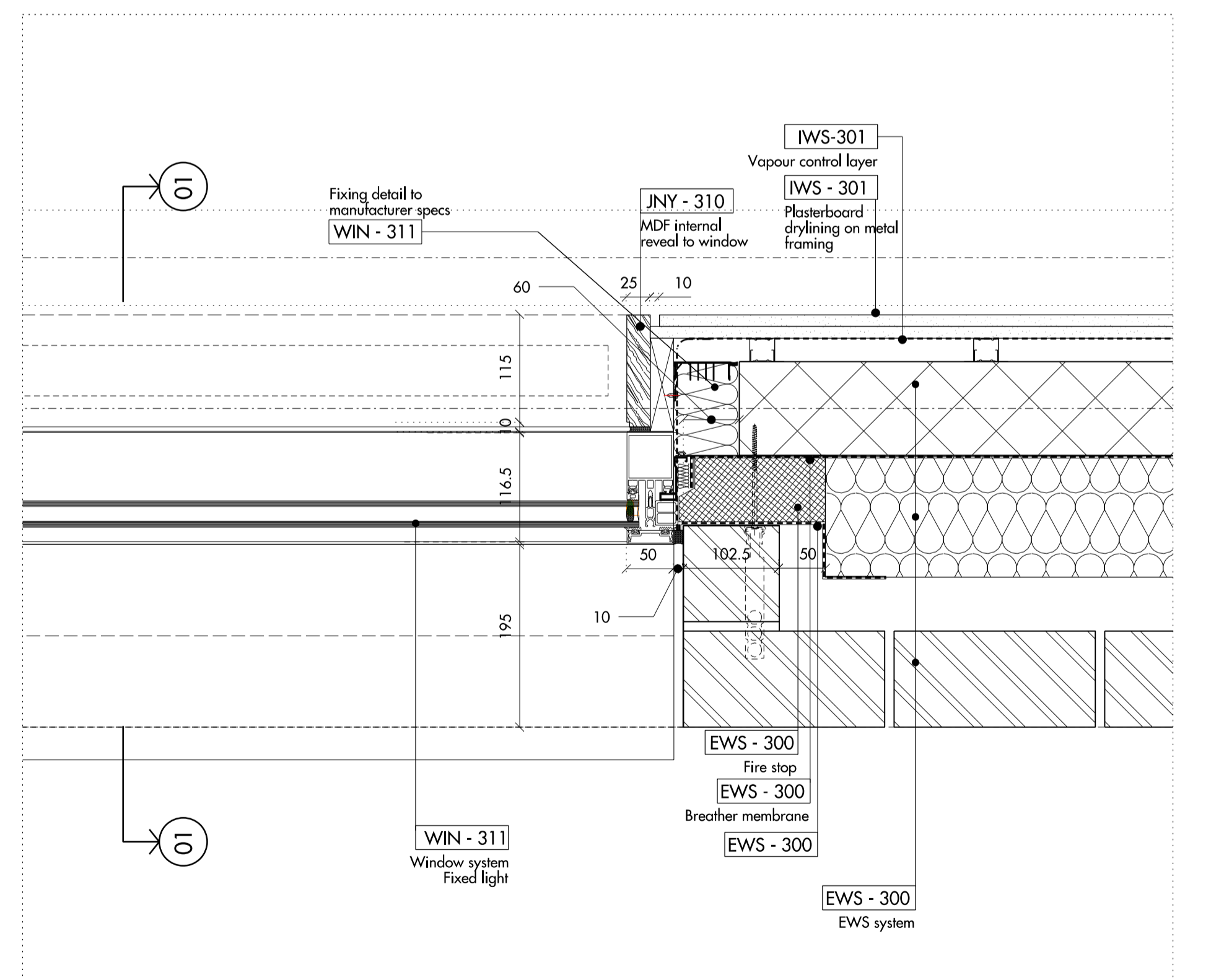
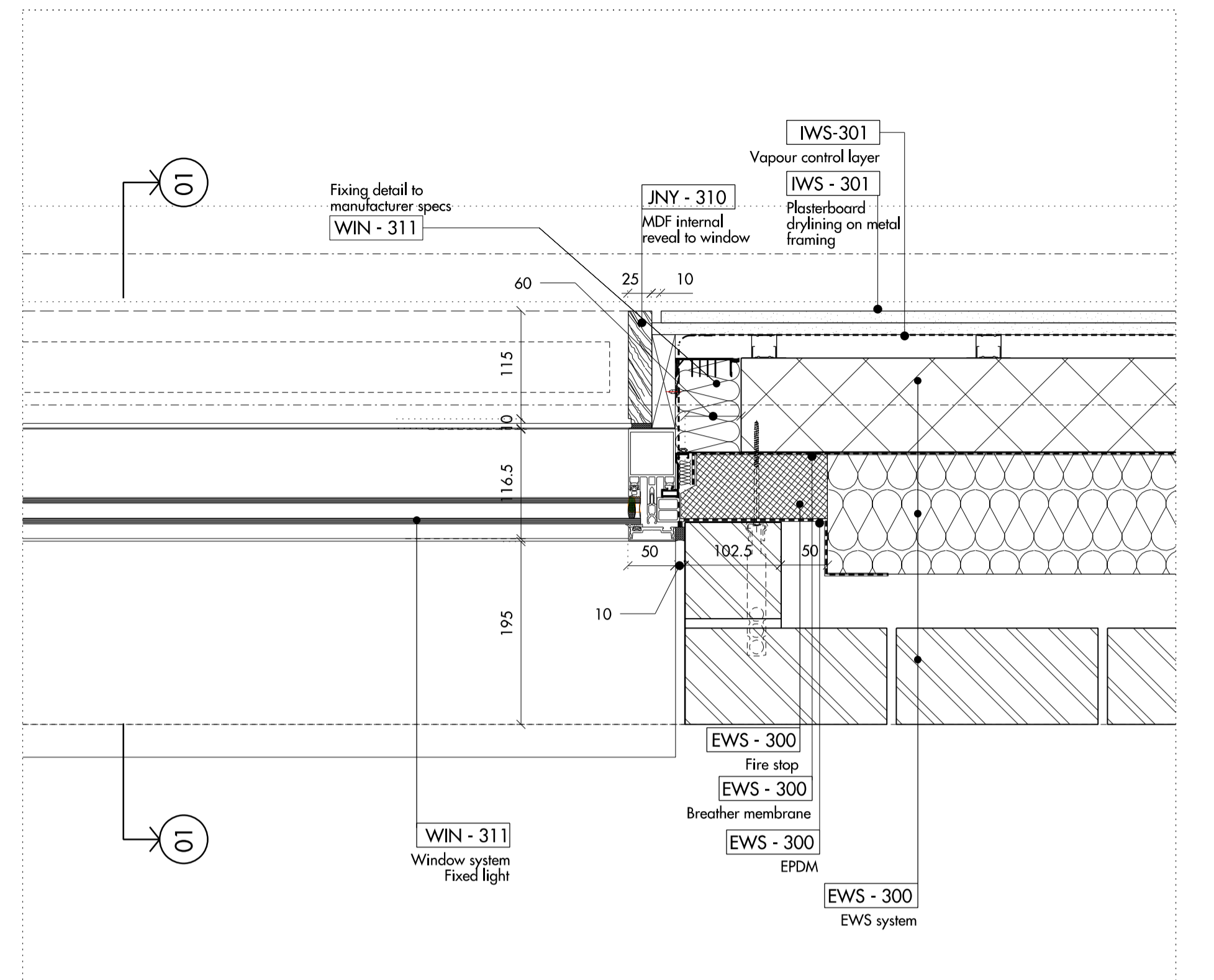
01 WIN-311\_SECTION DETAILS



02 WIN-311\_PLAN DETAILS\_LEVEL 00



03 WIN-311\_PLAN DETAILS\_LEVEL -01



Do not scale from this drawing. Use figured dimensions only. Figured dimensions are in millimetres. All levels are in metres. All dimensions and levels shall be verified on site before proceeding with works. Detailed site survey to be carried out to verify positions and level relationships with site features and ordnance survey. Boundaries are indicative only and are to be verified by others. The architect must be notified of any discrepancy. Where building components are described in the specification as 'descriptive', then 'construction' information relating to those components on this drawing represent design intent only.

REV	DATE	DESCRIPTION	CKD	REV	DATE	DESCRIPTION	CKD
T1	24.07.2015	ISSUED FOR INFORMATION (PRE-CONSTRUCTION)	NR				
C1	18.09.2015	ISSUED FOR CONSTRUCTION	NR				

Allies and Morrison  
 85 Southwark Street  
 London SE1 0HX  
 telephone 020 7921 0100  
 facsimile 020 7921 0101  
 email info@alliesandmorrison.co.uk  
 A&M JOB NO: 809

KIDDERPORE AVENUE: BLOCK E  
 TYPICAL WINDOW DETAIL-WIN311  
 EXTERNAL WALL  
 809\_03\_21\_503  
 SCALE 1:5@A1 1:10@A3

C1  
 Revision