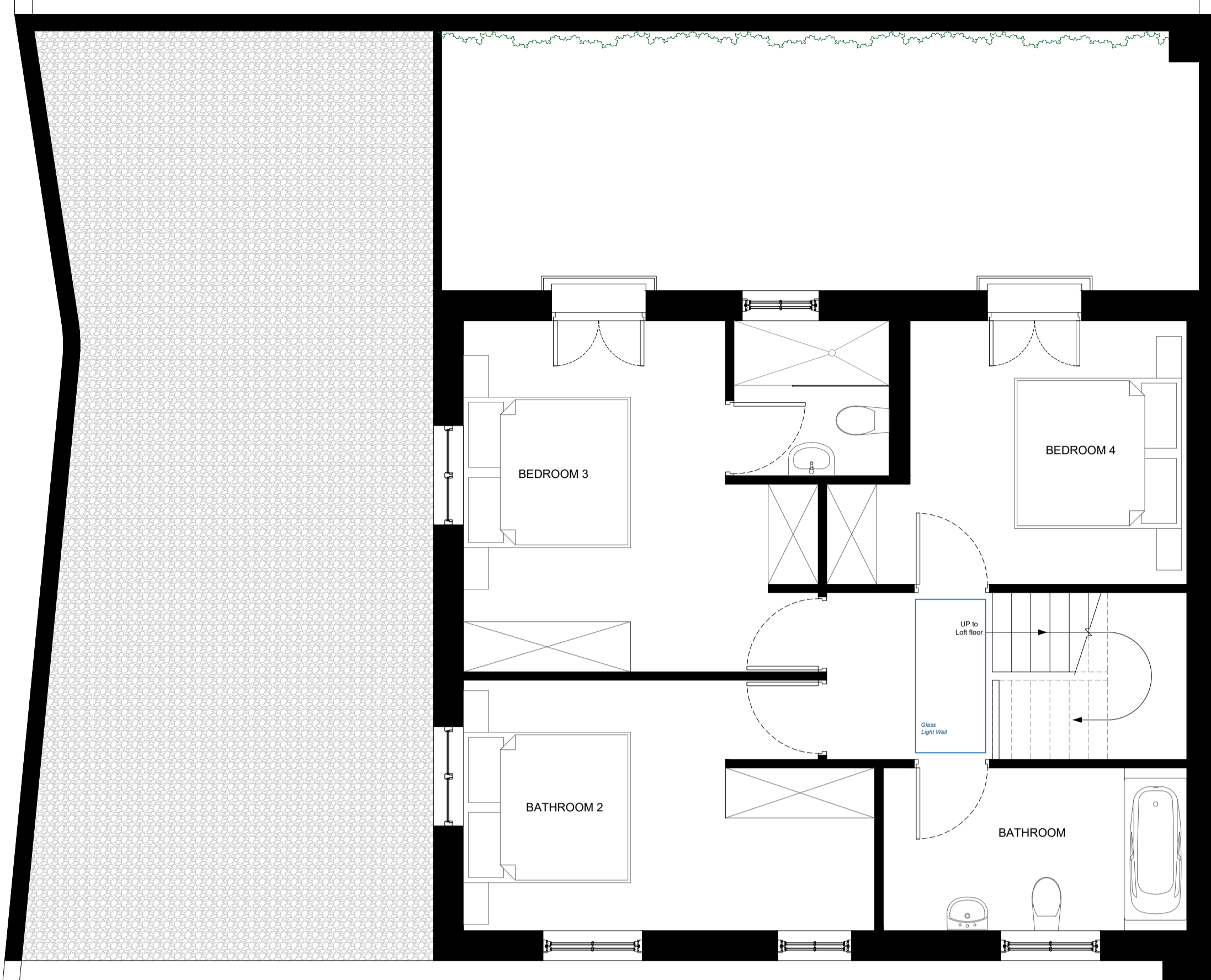
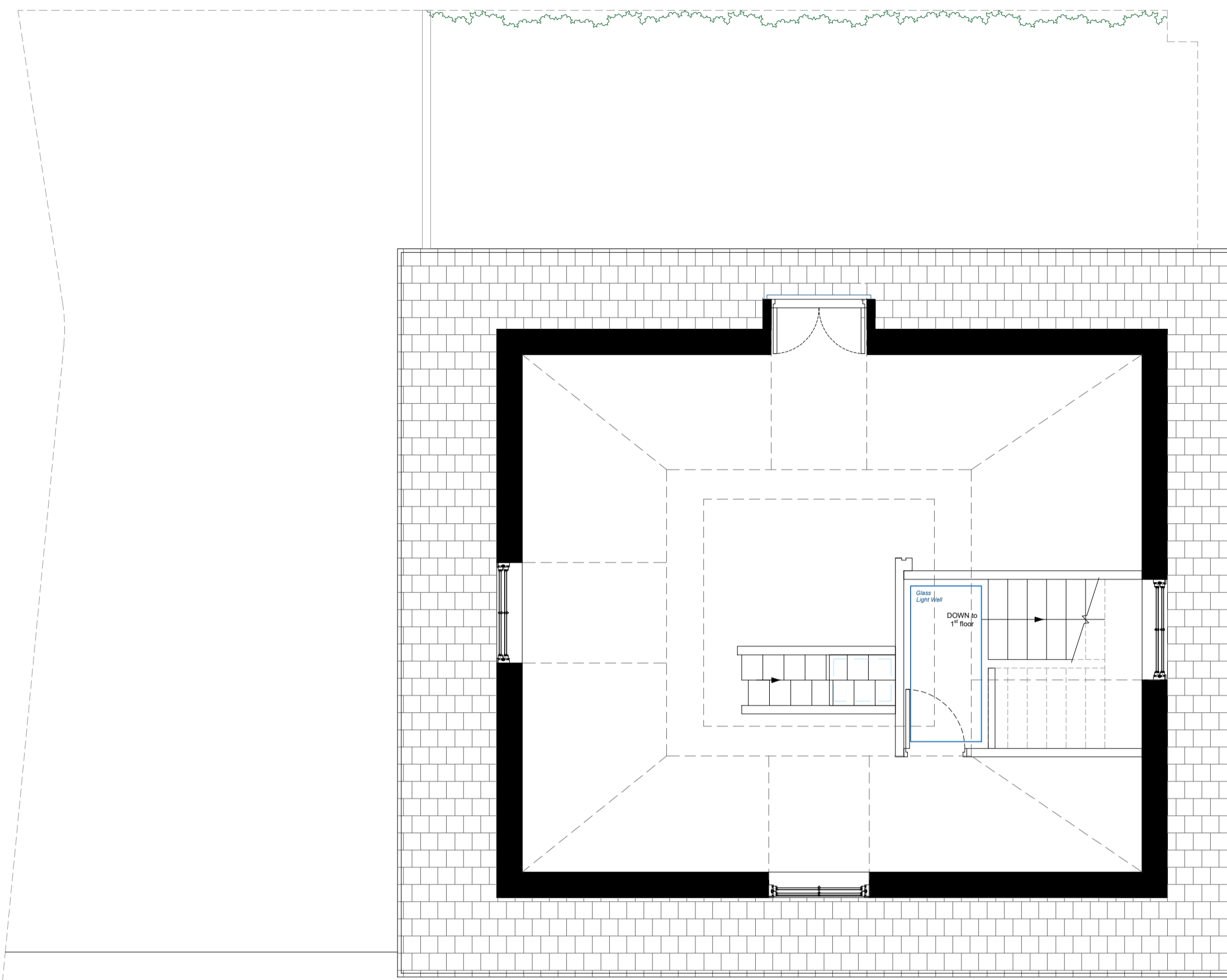


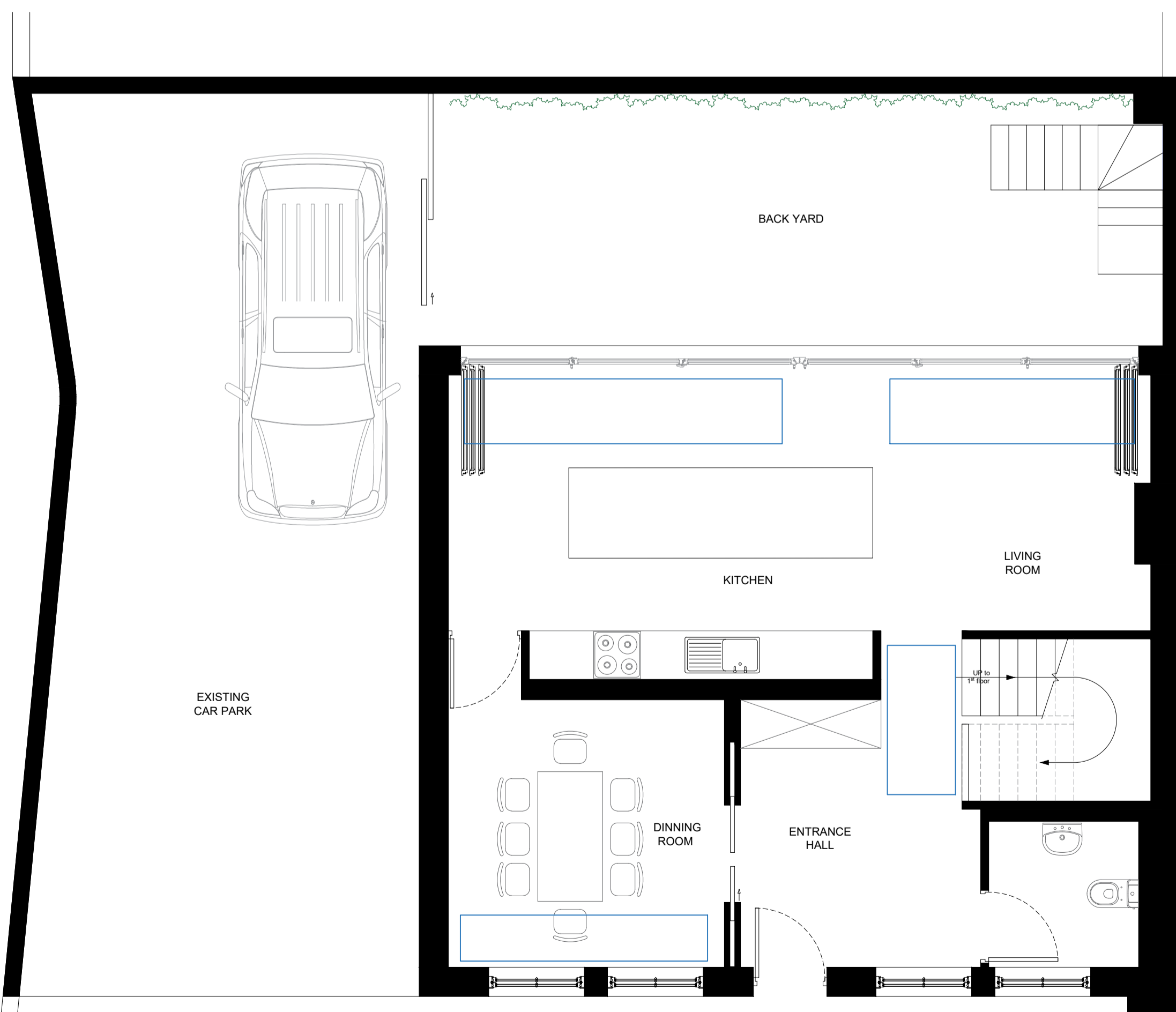
NOTES



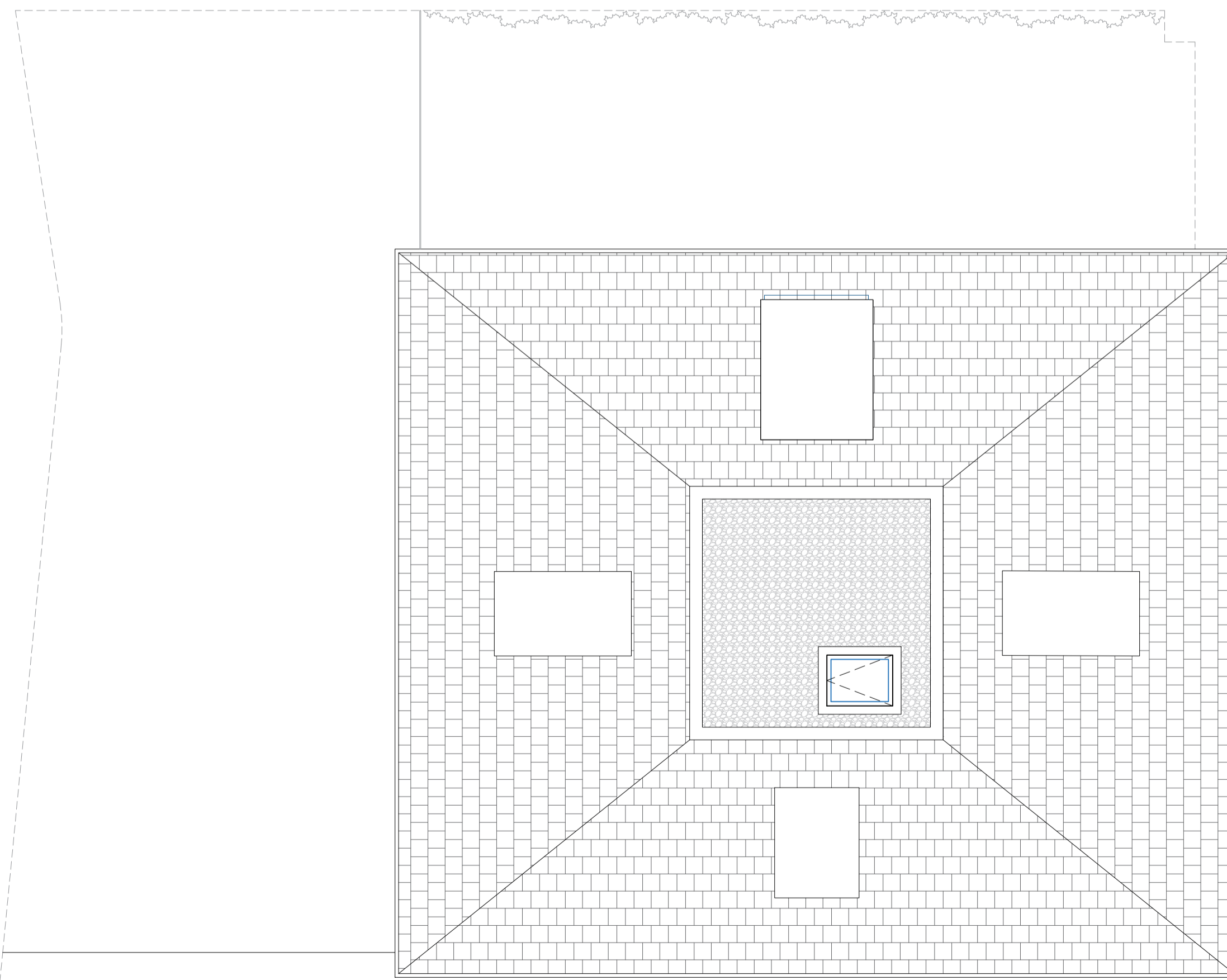
Pr Proposed First Floor
 Scale 1:50



Pr Proposed Loft Floor
 Scale 1:50

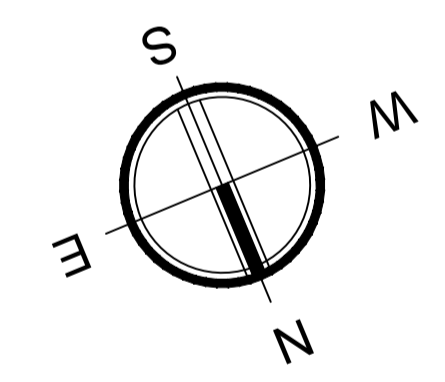
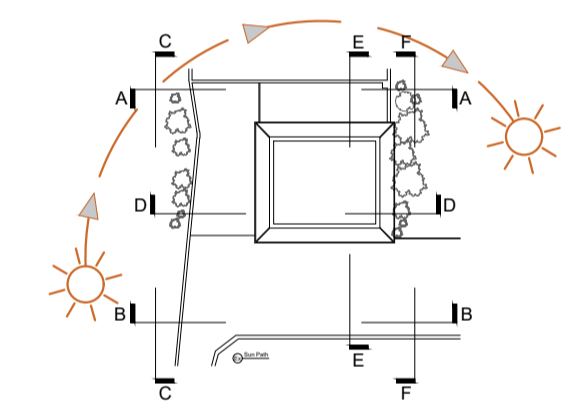


Pr Proposed Ground Floor
 Scale 1:50



Pr Proposed Roof Level
 Scale 1:50

Revised 2-Dec-15
 Revised 1-Dec-15



Eksalta Architectural Services
 64 Great Eastern Street
 London, EC2A 3QR
 T: +44 (0) 2077499112 M: +44 (0) 7846043536
 www.eksalta.co.uk
 ainars.locs@eksalta.co.uk

Status For	PLANNING	
Client	Shyam Shah 109 Goldhurst Terrace London NW6 3HA	
Title	PROPOSED	
Project	109 Goldhurst Terrace	
1:50 1m 2m 3m 4m		
Drawn By	AL	Checked By AL
Project Number	PR - GF_ FF_LF_RF	Date 29-Oct-2015
Scale	SCALE AS NOTED	
CAD Filename		